



Message Implementation Guideline

SKF Replenishment Dispatch Advice D96A 1.2

based on

DESADV

Despatch advice message

UN D.96A S3

Issue date: 2013-03-07

Author: Anette Repo, HP

1 Message Structure.....	2
2 Branching Diagram	4
3 Segments	9



Structure / Table of Contents

Counter	No	Tag	St	MaxOcc	Level	Content
0010	1	UNH	M	1	0	MESSAGE HEADER
0020	2	BGM	M	1	0	Beginning of message
0030	3	DTM	C	3	1	Date/time/period
0030	4	DTM	C	3	1	Date/time/period
0030	5	DTM	C	3	1	Date/time/period
0100		SG2	R	4	1	NAD
0110	6	NAD	M	1	1	Name and address
0100		SG2	R	4	1	NAD
0110	7	NAD	M	1	1	Name and address
0100		SG2	R	4	1	NAD
0110	8	NAD	M	1	1	Name and address
0100		SG2	R	4	1	NAD-LOC
0110	9	NAD	M	1	1	Name and address
0120	10	LOC	R	1	2	Place/location identification
0230		SG6	C	1	1	TDT
0240	11	TDT	M	1	1	Details of transport
0370		SG10	R	9999	1	CPS-SG11-SG15
0380	12	CPS	M	1	1	Consignment packing sequence
0400		SG11	R	9999	2	PAC-MEA-QTY-SG13
0410	13	PAC	M	1	2	Package
0420	14	MEA	C	1	3	Measurements
0430	15	QTY	C	1	3	Quantity
0470		SG13	R	1000	3	PCI
0480	16	PCI	M	1	3	Package identification
0550		SG15	C	1	2	LIN-PIA-MEA-MEA-QTY-ALI-DLM-DTM-FTX-SG16-SG16
0560	17	LIN	M	1	2	Line item
0570	18	PIA	C	1	3	Additional product id
0590	19	MEA	C	2	3	Measurements
0590	20	MEA	C	2	3	Measurements
0600	21	QTY	C	1	3	Quantity
0610	22	ALI	C	1	3	Additional information
0640	23	DLM	C	1	3	Delivery limitations
0650	24	DTM	C	1	3	Date/time/period
0660	25	FTX	C	1	3	Free text
0680		SG16	C	2	3	RFF
0690	26	RFF	M	1	3	Reference
0680		SG16	C	2	3	RFF

Counter = Counter of segment/group within the standard
 No = Consecutive segment number
 MaxOcc = Maximum occurrence of the segment/group

St = Status
 EDIFACT: M=Mandatory, C=Conditional
 User specific: R=Required, O=Optional, D=Dependent,
 A=Advised, N=Not used



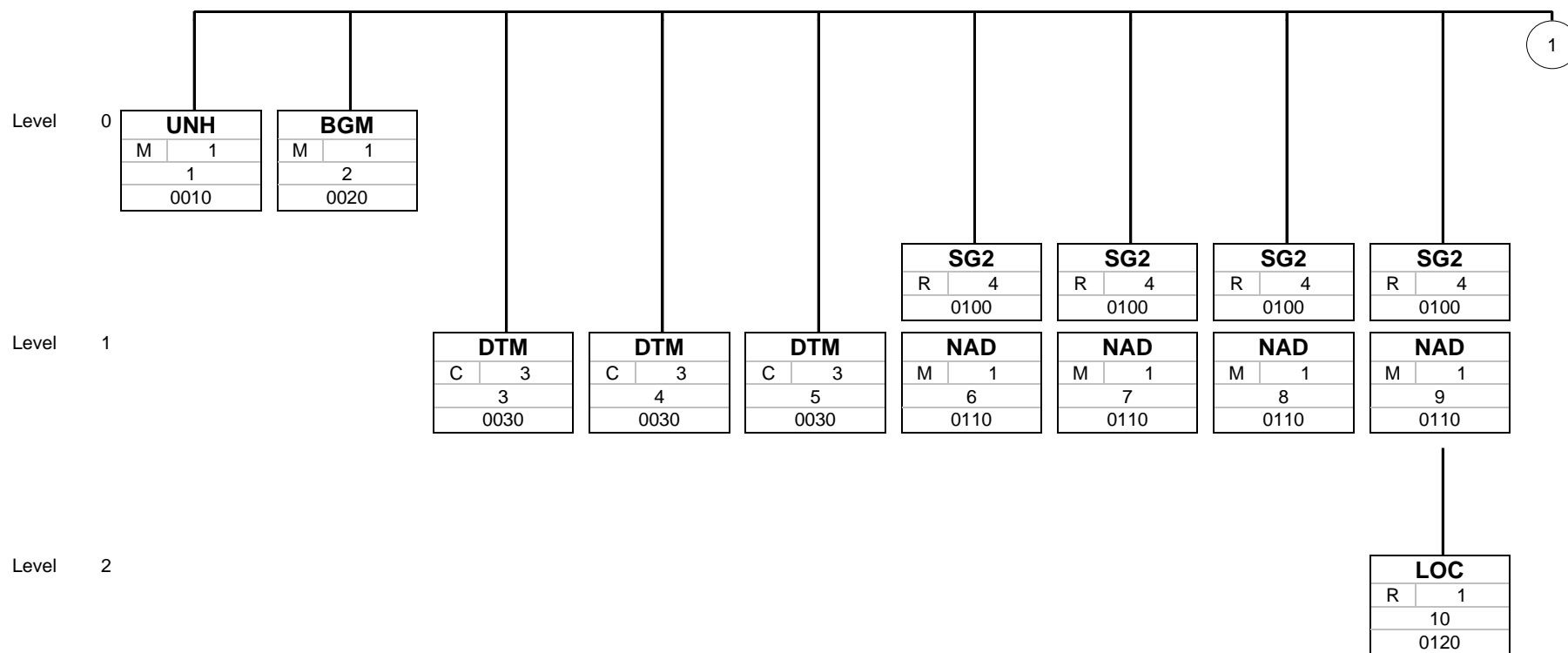
Counter	No	Tag	St	MaxOcc	Level	Content
0690	27	RFF	M	1	3	Reference
0990	28	UNT	M	1	0	MESSAGE TRAILER

Counter = Counter of segment/group within the standard
 No = Consecutive segment number
 MaxOcc = Maximum occurrence of the segment/group

St = Status
 EDIFACT: M=Mandatory, C=Conditional
 User specific: R=Required, O=Optional, D=Dependent,
 A=Advised, N=Not used

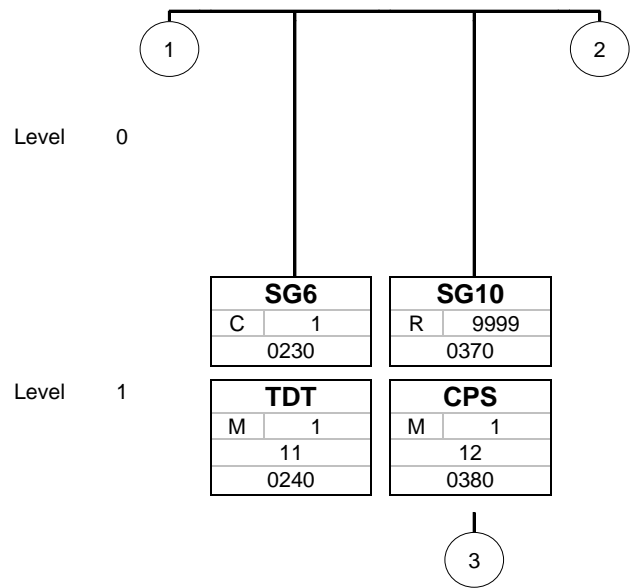


Branching Diagram of Used Segments/Groups



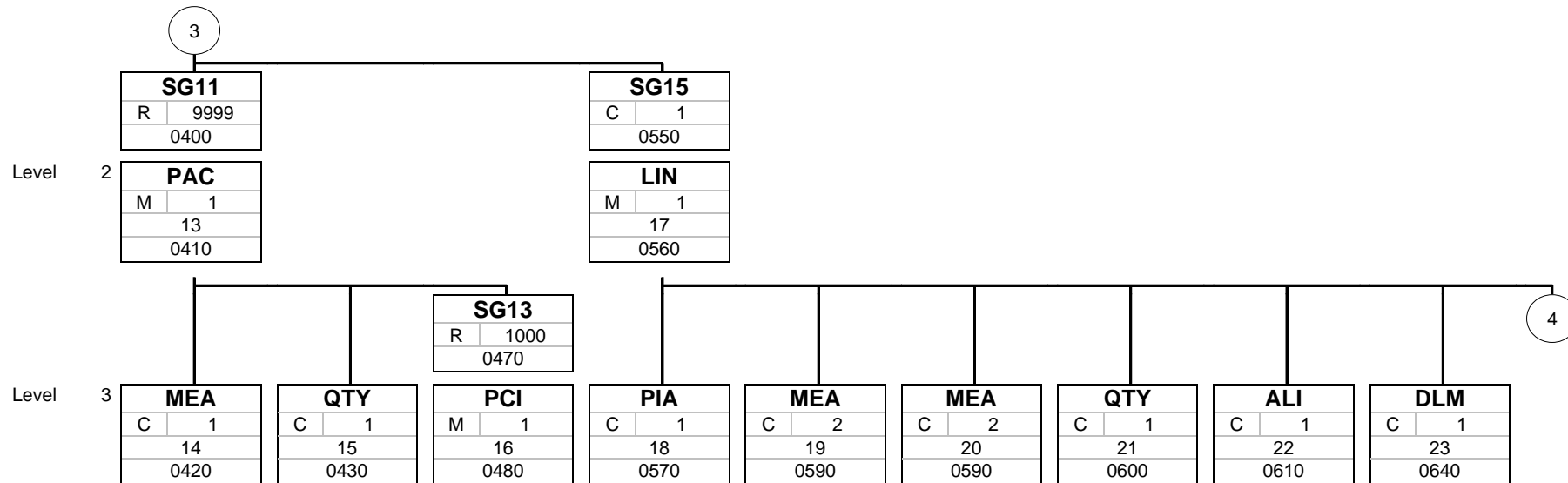
Tag
St MaxOcc
No
Counter

Tag = Segment/Group Tag
 St = Status (M=Mandatory, C=Conditional, R=Required, O=Optional, A=Advised, D=Dependent)
 MaxOcc = Maximum occurrence of the segment/group
 No = Consecutive segment number
 Counter = Counter of segment/group within the standard



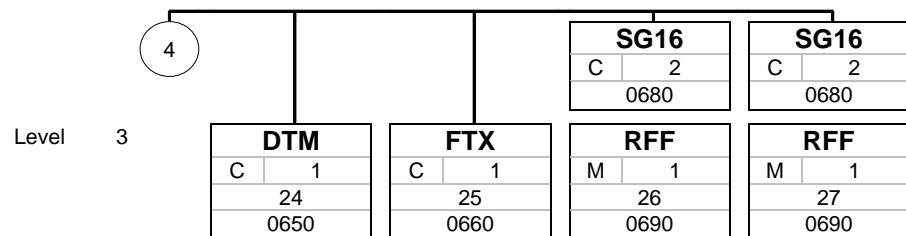
Tag
St MaxOcc
No
Counter

Tag = Segment/Group Tag
 St = Status (M=Mandatory, C=Conditional, R=Required, O=Optional, A=Advised, D=Dependent)
 MaxOcc = Maximum occurrence of the segment/group
 No = Consecutive segment number
 Counter = Counter of segment/group within the standard



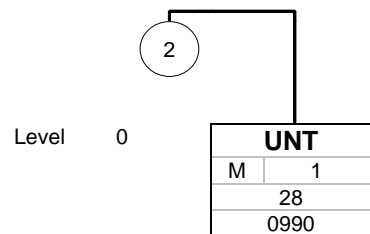
Tag
St MaxOcc
No
Counter

Tag = Segment/Group Tag
 St = Status (M=Mandatory, C=Conditional, R=Required, O=Optional, A=Advised, D=Dependent)
 MaxOcc = Maximum occurrence of the segment/group
 No = Consecutive segment number
 Counter = Counter of segment/group within the standard



Tag
St MaxOcc
No
Counter

Tag = Segment/Group Tag
 St = Status (M=Mandatory, C=Conditional, R=Required, O=Optional, A=Advised, D=Dependent)
 MaxOcc = Maximum occurrence of the segment/group
 No = Consecutive segment number
 Counter = Counter of segment/group within the standard



Tag
St MaxOcc
No
Counter

Tag = Segment/Group Tag
 St = Status (M=Mandatory, C=Conditional, R=Required, O=Optional, A=Advised, D=Dependent)
 MaxOcc = Maximum occurrence of the segment/group
 No = Consecutive segment number
 Counter = Counter of segment/group within the standard



Segments

Counter	No	Tag	St	MaxOcc	Level	Name
0010	1	UNH	M	1	0	MESSAGE HEADER

Standard			Implementation	
Tag	Name	St Format	St Format	Usage / Remark
UNH				
0062	Message reference number	M an..14	M an..14	Message reference number This number must be equal to the value of UNT_0062
S009	MESSAGE IDENTIFIER	M	M	
0065	Message type identifier	M an..6	M an..6	DESADV Despatch advice message
0052	Message type version number	M an..3	M an..3	D Draft directory
0054	Message type release number	M an..3	M an..3	96A Version 96A
0051	Controlling agency	M an..2	M an..2	UN UN/ECE/TRADE/WP.4, United Nations Standard Messages (UNSM)
0057	Association assigned code	C an..6	N	Not used
0068	Common access reference	C an..35	N	Not used
S010	STATUS OF THE TRANSFER	C	N	
0070	Sequence message transfer number	M n..2	N	Not used
0073	First/last sequence message transfer indication	C a1	N	Not used

Remark:

Example:

UNH+468530+DESADV:D:96A:UN'

No = Consecutive segment number
 MaxOcc = Maximum occurrence of the segment/group
 Counter = Counter of segment/group within the standard

St = Status
 EDIFACT: M=Mandatory, C=Conditional
 User specific: R=Required, O=Optional, D=Dependent,
 A=Advised, N=Not used



Counter	No	Tag	St	MaxOcc	Level	Name
0020	2	BGM	M	1	0	Beginning of message

		Standard	Implementation	
Tag	Name	St Format	St Format	Usage / Remark
BGM				
C002	Document/message name	C	R	
1001	Document/message name, coded	C an..3	R an..3	78 Inventory movement advice
1131	Code list qualifier	C an..3	N	Not used
3055	Code list responsible agency, coded	C an..3	N	Not used
1000	Document/message name	C an..35	N	Not used
1004	Document/message number	C an..35	R an..35	
1225	Message function, coded	C an..3	N	Not used
4343	Response type, coded	C an..3	N	Not used

Remark:

Example:

BGM+78+1519090'

No = Consecutive segment number
 MaxOcc = Maximum occurrence of the segment/group
 Counter = Counter of segment/group within the standard

St = Status
 EDIFACT: M=Mandatory, C=Conditional
 User specific: R=Required, O=Optional, D=Dependent,
 A=Advised, N=Not used



Counter	No	Tag	St	MaxOcc	Level	Name
---------	----	-----	----	--------	-------	------

0030 3 **DTM** C 3 1 Date/time/period

Standard			Implementation	
Tag	Name	St Format	St Format	Usage / Remark
DTM				
C507	Date/time/period	M	M	
2005	Date/time/period qualifier	M an..3	M an..3	11 Despatch date and or time
2380	Date/time/period	C an..35	C an..35	
2379	Date/time/period format qualifier	C an..3	C an..3	102 CCYYMMDD 204 CCYYMMDDHHMMSS

Remark:

Example:

DTM+11:20081216143000:102'

No = Consecutive segment number
 MaxOcc = Maximum occurrence of the segment/group
 Counter = Counter of segment/group within the standard

St = Status
 EDIFACT: M=Mandatory, C=Conditional
 User specific: R=Required, O=Optional, D=Dependent,
 A=Advised, N=Not used



Counter	No	Tag	St	MaxOcc	Level	Name
---------	----	-----	----	--------	-------	------

0030 4 **DTM** C 3 1 Date/time/period

		Standard	Implementation	
Tag	Name	St Format	St Format	Usage / Remark
DTM				
C507	Date/time/period	M	M	
2005	Date/time/period qualifier	M an..3	M an..3	132 Arrival date/time, estimated
2380	Date/time/period	C an..35	C an..35	
2379	Date/time/period format qualifier	C an..3	C an..3	102 CCYYMMDD 204 CCYYMMDDHHMMSS

Remark:

Example:

DTM+132:20081217093000:204'

No = Consecutive segment number
 MaxOcc = Maximum occurrence of the segment/group
 Counter = Counter of segment/group within the standard

St = Status
 EDIFACT: M=Mandatory, C=Conditional
 User specific: R=Required, O=Optional, D=Dependent,
 A=Advised, N=Not used



Counter	No	Tag	St	MaxOcc	Level	Name
---------	----	-----	----	--------	-------	------

0030 5 **DTM** C 3 1 Date/time/period

		Standard	Implementation	
Tag	Name	St Format	St Format	Usage / Remark
DTM				
C507	Date/time/period	M	M	
2005	Date/time/period qualifier	M an..3	M an..3	137 Document/message date/time
2380	Date/time/period	C an..35	C an..35	
2379	Date/time/period format qualifier	C an..3	C an..3	102 CCYYMMDD 204 CCYYMMDDHHMMSS

Remark:

Example:

DTM+137:20081216153000:204'

No = Consecutive segment number
 MaxOcc = Maximum occurrence of the segment/group
 Counter = Counter of segment/group within the standard

St = Status
 EDIFACT: M=Mandatory, C=Conditional
 User specific: R=Required, O=Optional, D=Dependent,
 A=Advised, N=Not used



Counter	No	Tag	St	MaxOcc	Level	Name
	0100	SG2	R	4	1	NAD
	0110	NAD	M	1	1	Name and address

		Standard	Implementation	
Tag	Name	St Format	St Format	Usage / Remark
NAD				
3035	Party qualifier	M an..3	M an..3	BY Buyer
C082	Party identification details	C	C	
3039	Party id. identification	M an..35	M an..17	
1131	Code list qualifier	C an..3	N	Not used
3055	Code list responsible agency, coded	C an..3	N	Not used
C058	Name and address	C	N	
3124	Name and address line	M an..35	N	Not used
3124	Name and address line	C an..35	N	Not used
3124	Name and address line	C an..35	N	Not used
3124	Name and address line	C an..35	N	Not used
3124	Name and address line	C an..35	N	Not used
C080	Party name	C	N	
3036	Party name	M an..35	N	Not used
3036	Party name	C an..35	N	Not used
3036	Party name	C an..35	N	Not used
3036	Party name	C an..35	N	Not used
3036	Party name	C an..35	N	Not used
3045	Party name format, coded	C an..3	N	Not used
C059	Street	C	N	
3042	Street and number/p.o. box	M an..35	N	Not used
3042	Street and number/p.o. box	C an..35	N	Not used
3042	Street and number/p.o. box	C an..35	N	Not used
3042	Street and number/p.o. box	C an..35	N	Not used
3164	City name	C an..35	N	Not used
3229	Country sub-entity identification	C an..9	N	Not used
3251	Postcode identification	C an..9	N	Not used
3207	Country, coded	C an..3	N	Not used

Remark:

Example:

NAD+BY+SKF123'

No = Consecutive segment number
 MaxOcc = Maximum occurrence of the segment/group
 Counter = Counter of segment/group within the standard

St = Status
 EDIFACT: M=Mandatory, C=Conditional
 User specific: R=Required, O=Optional, D=Dependent,
 A=Advised, N=Not used



Counter	No	Tag	St	MaxOcc	Level	Name
0100		SG2	R	4	1	NAD
0110	7	NAD	M	1	1	Name and address

		Standard	Implementation	
Tag	Name	St Format	St Format	Usage / Remark
NAD				
3035	Party qualifier	M an..3	M an..3	SU Supplier
C082	Party identification details	C	C	
3039	Party id. identification	M an..35	M an..17	
1131	Code list qualifier	C an..3	N	Not used
3055	Code list responsible agency, coded	C an..3	N	Not used
C058	Name and address	C	N	
3124	Name and address line	M an..35	N	Not used
3124	Name and address line	C an..35	N	Not used
3124	Name and address line	C an..35	N	Not used
3124	Name and address line	C an..35	N	Not used
3124	Name and address line	C an..35	N	Not used
C080	Party name	C	N	
3036	Party name	M an..35	N	Not used
3036	Party name	C an..35	N	Not used
3036	Party name	C an..35	N	Not used
3036	Party name	C an..35	N	Not used
3036	Party name	C an..35	N	Not used
3045	Party name format, coded	C an..3	N	Not used
C059	Street	C	N	
3042	Street and number/p.o. box	M an..35	N	Not used
3042	Street and number/p.o. box	C an..35	N	Not used
3042	Street and number/p.o. box	C an..35	N	Not used
3042	Street and number/p.o. box	C an..35	N	Not used
3164	City name	C an..35	N	Not used
3229	Country sub-entity identification	C an..9	N	Not used
3251	Postcode identification	C an..9	N	Not used
3207	Country, coded	C an..3	N	Not used

Remark:**Example:**

NAD+SU+ITA1182EU'

No = Consecutive segment number
 MaxOcc = Maximum occurrence of the segment/group
 Counter = Counter of segment/group within the standard

St = Status
 EDIFACT: M=Mandatory, C=Conditional
 User specific: R=Required, O=Optional, D=Dependent,
 A=Advised, N=Not used



Counter	No	Tag	St	MaxOcc	Level	Name
0100		SG2	R	4	1	NAD
0110	8	NAD	M	1	1	Name and address

		Standard	Implementation	
Tag	Name	St Format	St Format	Usage / Remark
NAD				
3035	Party qualifier	M an..3	M an..3	CS Consolidator
C082	Party identification details	C	C	
3039	Party id. identification	M an..35	M an..17	Logistic Provider Identifier
1131	Code list qualifier	C an..3	N	Not used
3055	Code list responsible agency, coded	C an..3	N	Not used
C058	Name and address	C	N	
3124	Name and address line	M an..35	N	Not used
3124	Name and address line	C an..35	N	Not used
3124	Name and address line	C an..35	N	Not used
3124	Name and address line	C an..35	N	Not used
3124	Name and address line	C an..35	N	Not used
C080	Party name	C	N	
3036	Party name	M an..35	N	Not used
3036	Party name	C an..35	N	Not used
3036	Party name	C an..35	N	Not used
3036	Party name	C an..35	N	Not used
3036	Party name	C an..35	N	Not used
3045	Party name format, coded	C an..3	N	Not used
C059	Street	C	N	
3042	Street and number/p.o. box	M an..35	N	Not used
3042	Street and number/p.o. box	C an..35	N	Not used
3042	Street and number/p.o. box	C an..35	N	Not used
3042	Street and number/p.o. box	C an..35	N	Not used
3164	City name	C an..35	N	Not used
3229	Country sub-entity identification	C an..9	N	Not used
3251	Postcode identification	C an..9	N	Not used
3207	Country, coded	C an..3	N	Not used

Remark:**Example:**

NAD+CS+LOGP123'

No = Consecutive segment number
 MaxOcc = Maximum occurrence of the segment/group
 Counter = Counter of segment/group within the standard

St = Status
 EDIFACT: M=Mandatory, C=Conditional
 User specific: R=Required, O=Optional, D=Dependent,
 A=Advised, N=Not used



Counter	No	Tag	St	MaxOcc	Level	Name
0100		SG2	R	4	1	NAD-LOC
0110	9	NAD	M	1	1	Name and address

		Standard	Implementation	
Tag	Name	St Format	St Format	Usage / Remark
NAD				
3035	Party qualifier	M an..3	M an..3	DP Delivery party
C082	Party identification details	C	C	
3039	Party id. identification	M an..35	M an..17	Factory Identifier
1131	Code list qualifier	C an..3	N	Not used
3055	Code list responsible agency, coded	C an..3	N	Not used
C058	Name and address	C	N	
3124	Name and address line	M an..35	N	Not used
3124	Name and address line	C an..35	N	Not used
3124	Name and address line	C an..35	N	Not used
3124	Name and address line	C an..35	N	Not used
3124	Name and address line	C an..35	N	Not used
C080	Party name	C	N	
3036	Party name	M an..35	N	Not used
3036	Party name	C an..35	N	Not used
3036	Party name	C an..35	N	Not used
3036	Party name	C an..35	N	Not used
3036	Party name	C an..35	N	Not used
3045	Party name format, coded	C an..3	N	Not used
C059	Street	C	N	
3042	Street and number/p.o. box	M an..35	N	Not used
3042	Street and number/p.o. box	C an..35	N	Not used
3042	Street and number/p.o. box	C an..35	N	Not used
3042	Street and number/p.o. box	C an..35	N	Not used
3164	City name	C an..35	N	Not used
3229	Country sub-entity identification	C an..9	N	Not used
3251	Postcode identification	C an..9	N	Not used
3207	Country, coded	C an..3	N	Not used

Remark:

Example:

NAD+DP+XYZ123'

No = Consecutive segment number
 MaxOcc = Maximum occurrence of the segment/group
 Counter = Counter of segment/group within the standard

St = Status
 EDIFACT: M=Mandatory, C=Conditional
 User specific: R=Required, O=Optional, D=Dependent,
 A=Advised, N=Not used



Counter	No	Tag	St	MaxOcc	Level	Name
0100		SG2	R	4	1	NAD-LOC
0120	10	LOC	R	1	2	Place/location identification

		Standard	Implementation	
Tag	Name	St Format	St Format	Usage / Remark
LOC				
3227	Place/location qualifier	M an..3	M an..3	11 Place/port of discharge
C517	Location identification	C	R	
3225	Place/location identification	C an..25	R an..25	
1131	Code list qualifier	C an..3	N	Not used
3055	Code list responsible agency, coded	C an..3	N	Not used
3224	Place/location	C an..70	N	Not used
C519	Related location one identification	C	N	
3223	Related place/location one identification	C an..25	N	Not used
1131	Code list qualifier	C an..3	N	Not used
3055	Code list responsible agency, coded	C an..3	N	Not used
3222	Related place/location one	C an..70	N	Not used
C553	Related location two identification	C	N	
3233	Related place/location two identification	C an..25	N	Not used
1131	Code list qualifier	C an..3	N	Not used
3055	Code list responsible agency, coded	C an..3	N	Not used
3232	Related place/location two	C an..70	N	Not used
5479	Relation, coded	C an..3	N	Not used

Remark:

Example:

LOC+11+GATE2'

No = Consecutive segment number
 MaxOcc = Maximum occurrence of the segment/group
 Counter = Counter of segment/group within the standard

St = Status
 EDIFACT: M=Mandatory, C=Conditional
 User specific: R=Required, O=Optional, D=Dependent,
 A=Advised, N=Not used



Counter	No	Tag	St	MaxOcc	Level	Name
0230		SG6	C	1	1	TDT
0240	11	TDT	M	1	1	Details of transport

		Standard	Implementation	
Tag	Name	St Format	St Format	Usage / Remark
TDT				
8051	Transport stage qualifier	M an..3	M an..3	12 At departure
8028	Conveyance reference number	C an..17	N	Not used
C220	Mode of transport	C	C	
8067	Mode of transport, coded	C an..3	C an..3	
8066	Mode of transport	C an..17	C an..17	
C228	Transport means	C	N	
8179	Type of means of transport identification	C an..8	N	Not used
8178	Type of means of transport	C an..17	N	Not used
C040	Carrier	C	N	
3127	Carrier identification	C an..17	N	Not used
1131	Code list qualifier	C an..3	N	Not used
3055	Code list responsible agency, coded	C an..3	N	Not used
3128	Carrier name	C an..35	N	Not used
8101	Transit direction, coded	C an..3	N	Not used
C401	Excess transportation information	C	N	
8457	Excess transportation reason, coded	M an..3	N	Not used
8459	Excess transportation responsibility, coded	M an..3	N	Not used
7130	Customer authorization number	C an..17	N	Not used
C222	Transport identification	C	N	
8213	Id. of means of transport identification	C an..9	N	Not used
1131	Code list qualifier	C an..3	N	Not used
3055	Code list responsible agency, coded	C an..3	N	Not used
8212	Id. of the means of transport	C an..35	N	Not used
8453	Nationality of means of transport, coded	C an..3	N	Not used
8281	Transport ownership, coded	C an..3	N	Not used

Remark:**Example:**

TDT+12++30:Desc of trp code'

No = Consecutive segment number
 MaxOcc = Maximum occurrence of the segment/group
 Counter = Counter of segment/group within the standard

St = Status
 EDIFACT: M=Mandatory, C=Conditional
 User specific: R=Required, O=Optional, D=Dependent,
 A=Advised, N=Not used



Counter	No	Tag	St	MaxOcc	Level	Name
0370		SG10	R	9999	1	CPS-SG11-SG15
0380	12	CPS	M	1	1	Consignment packing sequence

Standard			Implementation	
Tag	Name	St Format	St Format	Usage / Remark
CPS				
7164	Hierarchical id. number	M an..12	M an..12	
7166	Hierarchical parent id.	C an..12	N	Not used
7075	Packaging level, coded	C an..3	N	Not used

Remark:

Example:

CPS+1'

No = Consecutive segment number
 MaxOcc = Maximum occurrence of the segment/group
 Counter = Counter of segment/group within the standard

St = Status
 EDIFACT: M=Mandatory, C=Conditional
 User specific: R=Required, O=Optional, D=Dependent,
 A=Advised, N=Not used



Counter	No	Tag	St	MaxOcc	Level	Name
0400		SG11	R	9999	2	PAC-MEA-QTY-SG13
0410	13	PAC	M	1	2	Package

		Standard	Implementation	
Tag	Name	St Format	St Format	Usage / Remark
PAC				
7224	Number of packages	C n..8	C n..8	
C531	Packaging details	C	N	
7075	Packaging level, coded	C an..3	N	Not used
7233	Packaging related information, coded	C an..3	N	Not used
7073	Packaging terms and conditions, coded	C an..3	N	Not used
C202	Package type	C	C	
7065	Type of packages identification	C an..17	C an..17	
1131	Code list qualifier	C an..3	N	Not used
3055	Code list responsible agency, coded	C an..3	N	Not used
7064	Type of packages	C an..35	N	Not used
C402	Package type identification	C	N	
7077	Item description type, coded	M an..3	N	Not used
7064	Type of packages	M an..35	N	Not used
7143	Item number type, coded	C an..3	N	Not used
7064	Type of packages	C an..35	N	Not used
7143	Item number type, coded	C an..3	N	Not used
C532	Returnable package details	C	N	
8395	Returnable package freight payment responsibility, coded	C an..3	N	Not used
8393	Returnable package load contents, coded	C an..3	N	Not used

Remark:

Example:

PAC+1++PALLET'

No = Consecutive segment number
 MaxOcc = Maximum occurrence of the segment/group
 Counter = Counter of segment/group within the standard

St = Status
 EDIFACT: M=Mandatory, C=Conditional
 User specific: R=Required, O=Optional, D=Dependent,
 A=Advised, N=Not used



Counter No	Tag	St	MaxOcc	Level	Name
0400	SG11	R	9999	2	PAC-MEA-QTY-SG13
0420 14	MEA	C	1	3	Measurements

		Standard	Implementation	
Tag	Name	St Format	St Format	Usage / Remark
MEA				
6311	Measurement application qualifier	M an..3	M an..3	WT Weights
C502	Measurement details	C	C	
6313	Measurement dimension, coded	C an..3	C an..3	AAB Unit gross weight
6321	Measurement significance, coded	C an..3	N	Not used
6155	Measurement attribute, coded	C an..3	N	Not used
6154	Measurement attribute	C an..70	N	Not used
C174	Value/range	C	C	
6411	Measure unit qualifier	M an..3	M an..3	
6314	Measurement value	C n..18	C n..18	
6162	Range minimum	C n..18	N	Not used
6152	Range maximum	C n..18	N	Not used
6432	Significant digits	C n..2	N	Not used
7383	Surface/layer indicator, coded	C an..3	N	Not used

Remark:

Example:

MEA+WT+AAB+KGM:12.34'

No = Consecutive segment number
 MaxOcc = Maximum occurrence of the segment/group
 Counter = Counter of segment/group within the standard

St = Status
 EDIFACT: M=Mandatory, C=Conditional
 User specific: R=Required, O=Optional, D=Dependent,
 A=Advised, N=Not used



Counter	No	Tag	St	MaxOcc	Level	Name	
	0400	SG11	R	9999	2	PAC-MEA-QTY-SG13	
	0430	15	QTY	C	1	3	Quantity

		Standard	Implementation	
Tag	Name	St Format	St Format	Usage / Remark
QTY				
C186	Quantity details	M	M	
6063	Quantity qualifier	M an..3	M an..3	52 Quantity per pack
6060	Quantity	M n..15	M n..15	
6411	Measure unit qualifier	C an..3	C an..3	PCE Piece C62 one, piece, unit

Remark:

The segment is mandatory in case there is more than one package reported for one line item (Several SG11 within one SG10)

Example:

QTY+52:75:PCE'

No = Consecutive segment number
 MaxOcc = Maximum occurrence of the segment/group
 Counter = Counter of segment/group within the standard

St = Status
 EDIFACT: M=Mandatory, C=Conditional
 User specific: R=Required, O=Optional, D=Dependent,
 A=Advised, N=Not used



Counter	No	Tag	St	MaxOcc	Level	Name
0470		SG13	R	1000	3	PCI
0480	16	PCI	M	1	3	Package identification

		Standard	Implementation	
Tag	Name	St Format	St Format	Usage / Remark
PCI				
4233	Marking instructions, coded	C an..3	C an..3	17 Seller's instructions
C210	Marks & labels	C	R	
7102	Shipping marks	M an..35	R an..35	
7102	Shipping marks	C an..35	N	Not used
7102	Shipping marks	C an..35	N	Not used
7102	Shipping marks	C an..35	N	Not used
7102	Shipping marks	C an..35	N	Not used
7102	Shipping marks	C an..35	N	Not used
7102	Shipping marks	C an..35	N	Not used
7102	Shipping marks	C an..35	N	Not used
7102	Shipping marks	C an..35	N	Not used
7102	Shipping marks	C an..35	N	Not used
8275	Container/package status, coded	C an..3	N	Not used
C827	Type of marking	C	C	
7511	Type of marking, coded	M an..3	M an..3	
1131	Code list qualifier	C an..3	N	Not used
3055	Code list responsible agency, coded	C an..3	N	Not used

Remark:

Example:

PCI+17+PRE544687++S'

No = Consecutive segment number
 MaxOcc = Maximum occurrence of the segment/group
 Counter = Counter of segment/group within the standard

St = Status
 EDIFACT: M=Mandatory, C=Conditional
 User specific: R=Required, O=Optional, D=Dependent,
 A=Advised, N=Not used



Counter	No	Tag	St	MaxOcc	Level	Name
0550		SG15	C	1	2	LIN-PIA-MEA-QTY-ALI-DLM-DTM-FTX-SG16
0560	17	LIN	M	1	2	Line item

		Standard	Implementation	
Tag	Name	St Format	St Format	Usage / Remark
LIN				
1082	Line item number	C n..6	C n..6	
1229	Action request/notification, coded	C an..3	N	Not used
C212	Item number identification	C	C	
7140	Item number	C an..35	C an..35	Customer item number
7143	Item number type, coded	C an..3	N	Not used
1131	Code list qualifier	C an..3	N	Not used
3055	Code list responsible agency, coded	C an..3	N	Not used
C829	Sub-line information	C	N	
5495	Sub-line indicator, coded	C an..3	N	Not used
1082	Line item number	C n..6	N	Not used
1222	Configuration level	C n..2	N	Not used
7083	Configuration, coded	C an..3	N	Not used

Remark:

Example:

LIN+9++BAHB-60322 ETN9/C3'

No = Consecutive segment number
 MaxOcc = Maximum occurrence of the segment/group
 Counter = Counter of segment/group within the standard

St = Status
 EDIFACT: M=Mandatory, C=Conditional
 User specific: R=Required, O=Optional, D=Dependent,
 A=Advised, N=Not used



Counter	No	Tag	St	MaxOcc	Level	Name	
	0550	SG15	C	1	2	LIN-PIA-MEA-QTY-ALI-DLM-DTM-FTX-SG16	
	0570	18	PIA	C	1	3	Additional product id

		Standard	Implementation	
Tag	Name	St Format	St Format	Usage / Remark
PIA				
4347	Product id. function qualifier	M an..3	M an..3	1 Additional identification
C212	Item number identification	M	M	
7140	Item number	C an..35	C an..35	
7143	Item number type, coded	C an..3	C an..3	NB Batch number
1131	Code list qualifier	C an..3	N	Not used
3055	Code list responsible agency, coded	C an..3	N	Not used
C212	Item number identification	C	N	
7140	Item number	C an..35	N	
7143	Item number type, coded	C an..3	N	DR Drawing revision number
1131	Code list qualifier	C an..3	N	Not used
3055	Code list responsible agency, coded	C an..3	N	Not used
C212	Item number identification	C	N	
7140	Item number	C an..35	N	Not used
7143	Item number type, coded	C an..3	N	Not used
1131	Code list qualifier	C an..3	N	Not used
3055	Code list responsible agency, coded	C an..3	N	Not used
C212	Item number identification	C	N	
7140	Item number	C an..35	N	Not used
7143	Item number type, coded	C an..3	N	Not used
1131	Code list qualifier	C an..3	N	Not used
3055	Code list responsible agency, coded	C an..3	N	Not used

Remark:

Example:

PIA+1+123217-C:NB'

No = Consecutive segment number
 MaxOcc = Maximum occurrence of the segment/group
 Counter = Counter of segment/group within the standard

St = Status
 EDIFACT: M=Mandatory, C=Conditional
 User specific: R=Required, O=Optional, D=Dependent,
 A=Advised, N=Not used



Counter	No	Tag	St	MaxOcc	Level	Name
	0550	SG15	C	1	2	LIN-PIA-MEA-QTY-ALI-DLM-DTM-FTX-SG16
	0590 19	MEA	C	2	3	Measurements

		Standard	Implementation	
Tag	Name	St Format	St Format	Usage / Remark
MEA				
6311	Measurement application qualifier	M an..3	M an..3	AAA Line item measurement
C502	Measurement details	C	C	
6313	Measurement dimension, coded	C an..3	C an..3	GG Gauge
6321	Measurement significance, coded	C an..3	N	Not used
6155	Measurement attribute, coded	C an..3	N	Not used
6154	Measurement attribute	C an..70	N	Not used
C174	Value/range	C	C	
6411	Measure unit qualifier	M an..3	M an..3	ZZ mutually defined
6314	Measurement value	C n..18	C n..18	Gauge expressed as a whole number with six digits Leading zeroes can be excluded
6162	Range minimum	C n..18	N	Not used
6152	Range maximum	C n..18	N	Not used
6432	Significant digits	C n..2	N	Not used
7383	Surface/layer indicator, coded	C an..3	N	Not used

Remark:

Example:

MEA+AAA+GG+ZZ : 49980'

No = Consecutive segment number
 MaxOcc = Maximum occurrence of the segment/group
 Counter = Counter of segment/group within the standard

St = Status
 EDIFACT: M=Mandatory, C=Conditional
 User specific: R=Required, O=Optional, D=Dependent,
 A=Advised, N=Not used



Counter	No	Tag	St	MaxOcc	Level	Name	
	0550	SG15	C	1	2	LIN-PIA-MEA-QTY-ALI-DLM-DTM-FTX-SG16	
	0590	20	MEA	C	2	3	Measurements

		Standard	Implementation	
Tag	Name	St Format	St Format	Usage / Remark
MEA				
6311	Measurement application qualifier	M an..3	M an..3	AAA Line item measurement
C502	Measurement details	C	C	
6313	Measurement dimension, coded	C an..3	C an..3	AAE Item gross weight
6321	Measurement significance, coded	C an..3	N	Not used
6155	Measurement attribute, coded	C an..3	N	Not used
6154	Measurement attribute	C an..70	N	Not used
C174	Value/range	C	C	
6411	Measure unit qualifier	M an..3	M an..3	KGM Kilogram *
6314	Measurement value	C n..18	C n..18	
6162	Range minimum	C n..18	N	Not used
6152	Range maximum	C n..18	N	Not used
6432	Significant digits	C n..2	N	Not used
7383	Surface/layer indicator, coded	C an..3	N	Not used

Remark:

Example:

MEA+AAA+AAE+KGM: 12 . 34 '

No = Consecutive segment number
 MaxOcc = Maximum occurrence of the segment/group
 Counter = Counter of segment/group within the standard

St = Status
 EDIFACT: M=Mandatory, C=Conditional
 User specific: R=Required, O=Optional, D=Dependent,
 A=Advised, N=Not used



Counter	No	Tag	St	MaxOcc	Level	Name
	0550	SG15	C	1	2	LIN-PIA-MEA-QTY-ALI-DLM-DTM-FTX-SG16
	0600	21 QTY	C	1	3	Quantity

		Standard	Implementation	
Tag	Name	St Format	St Format	Usage / Remark
QTY				
C186	Quantity details	M	M	
6063	Quantity qualifier	M an..3	M an..3	12 Despatch quantity
6060	Quantity	M n..15	M n..15	
6411	Measure unit qualifier	C an..3	C an..3	PCE Piece C62 one, piece, unit

Remark:

Example:

QTY+12:75:PCE'

No = Consecutive segment number
 MaxOcc = Maximum occurrence of the segment/group
 Counter = Counter of segment/group within the standard

St = Status
 EDIFACT: M=Mandatory, C=Conditional
 User specific: R=Required, O=Optional, D=Dependent,
 A=Advised, N=Not used



Counter	No	Tag	St	MaxOcc	Level	Name
	0550	SG15	C	1	2	LIN-PIA-MEA-QTY-ALI-DLM-DTM-FTX-SG16
	0610 22	ALI	C	1	3	Additional information

		Standard	Implementation	
Tag	Name	St Format	St Format	Usage / Remark
ALI				
3239	Country of origin, coded	C an..3	C an..3	
9213	Type of duty regime, coded	C an..3	N	Not used
4183	Special conditions, coded	C an..3	N	Not used
4183	Special conditions, coded	C an..3	N	Not used
4183	Special conditions, coded	C an..3	N	Not used
4183	Special conditions, coded	C an..3	N	Not used
4183	Special conditions, coded	C an..3	N	Not used

Remark:

Example:

ALI+AD'

No = Consecutive segment number
 MaxOcc = Maximum occurrence of the segment/group
 Counter = Counter of segment/group within the standard

St = Status
 EDIFACT: M=Mandatory, C=Conditional
 User specific: R=Required, O=Optional, D=Dependent,
 A=Advised, N=Not used



Counter	No	Tag	St	MaxOcc	Level	Name
0550		SG15	C	1	2	LIN-PIA-MEA-QTY-ALI-DLM-DTM-FTX-SG16
0640	23	DLM	C	1	3	Delivery limitations

		Standard	Implementation	
Tag	Name	St Format	St Format	Usage / Remark
DLM				
4455	Back order, coded	C an..3	C an..3	ZZZ Mutually defined
C522	Instruction	C	C	
4403	Instruction qualifier	M an..3	M an..3	2 Party instructions
4401	Instruction, coded	C an..3	C an..3	RL Released
				QC Quality control held
1131	Code list qualifier	C an..3	N	Not used
3055	Code list responsible agency, coded	C an..3	N	Not used
4400	Instruction	C an..35	N	Not used
C214	Special services identification	C	N	
7161	Special services, coded	C an..3	N	Not used
1131	Code list qualifier	C an..3	N	Not used
3055	Code list responsible agency, coded	C an..3	N	Not used
7160	Special service	C an..35	N	Not used
7160	Special service	C an..35	N	Not used
4457	Product/service substitution, coded	C an..3	N	Not used

Remark:

Example:

DLM+ZZZ+2:RL'

No = Consecutive segment number
 MaxOcc = Maximum occurrence of the segment/group
 Counter = Counter of segment/group within the standard

St = Status
 EDIFACT: M=Mandatory, C=Conditional
 User specific: R=Required, O=Optional, D=Dependent,
 A=Advised, N=Not used



Counter	No	Tag	St	MaxOcc	Level	Name
	0550	SG15	C	1	2	LIN-PIA-MEA-QTY-ALI-DLM-DTM-FTX-SG16
	0650	24 DTM	C	1	3	Date/time/period

		Standard	Implementation	
Tag	Name	St Format	St Format	Usage / Remark
DTM				
C507	Date/time/period	M	M	
2005	Date/time/period qualifier	M an..3	M an..3	94 Production/manufacture date
2380	Date/time/period	C an..35	C an..35	
2379	Date/time/period format qualifier	C an..3	C an..3	102 CCYYMMDD 204 CCYYMMDDHHMMSS

Remark:

Example:

DTM+94:20011217:102'

No = Consecutive segment number
 MaxOcc = Maximum occurrence of the segment/group
 Counter = Counter of segment/group within the standard

St = Status
 EDIFACT: M=Mandatory, C=Conditional
 User specific: R=Required, O=Optional, D=Dependent,
 A=Advised, N=Not used



Counter	No	Tag	St	MaxOcc	Level	Name
0550		SG15	C	1	2	LIN-PIA-MEA-QTY-ALI-DLM-DTM-FTX-SG16
0660	25	FTX	C	1	3	Free text

		Standard	Implementation	
Tag	Name	St Format	St Format	Usage / Remark
FTX				
4451	Text subject qualifier	M an..3	M an..3	SUR Supplier remarks
4453	Text function, coded	C an..3	N	Not used
C107	Text reference	C	N	
4441	Free text, coded	M an..3	N	Not used
1131	Code list qualifier	C an..3	N	Not used
3055	Code list responsible agency, coded	C an..3	N	Not used
C108	Text literal	C	C	
4440	Free text	M an..70	M an..70	
4440	Free text	C an..70	N	Not used
4440	Free text	C an..70	N	Not used
4440	Free text	C an..70	N	Not used
4440	Free text	C an..70	N	Not used
3453	Language, coded	C an..3	N	Not used

Remark:

Example:

FTX+SUR+++ADM Reference'

No = Consecutive segment number
 MaxOcc = Maximum occurrence of the segment/group
 Counter = Counter of segment/group within the standard

St = Status
 EDIFACT: M=Mandatory, C=Conditional
 User specific: R=Required, O=Optional, D=Dependent,
 A=Advised, N=Not used



Counter	No	Tag	St	MaxOcc	Level	Name	
	0680	SG16	C	2	3	RFF	
	0690	26	RFF	M	1	3	Reference

Standard			Implementation	
Tag	Name	St Format	St Format	Usage / Remark
RFF				
C506	Reference	M	M	
1153	Reference qualifier	M an..3	M an..3	AAJ Delivery order number
1154	Reference number	C an..35	C an..35	
1156	Line number	C an..6	C an..6	
4000	Reference version number	C an..35	N	Not used

Remark:

Example:

RFF+AAJ:D012345:001'

No = Consecutive segment number
 MaxOcc = Maximum occurrence of the segment/group
 Counter = Counter of segment/group within the standard

St = Status
 EDIFACT: M=Mandatory, C=Conditional
 User specific: R=Required, O=Optional, D=Dependent,
 A=Advised, N=Not used



Counter	No	Tag	St	MaxOcc	Level	Name
0680		SG16	C	2	3	RFF
0690	27	RFF	M	1	3	Reference

Standard			Implementation	
Tag	Name	St Format	St Format	Usage / Remark
RFF				
C506	Reference	M	M	
1153	Reference qualifier	M an..3	M an..3	VN Order number (vendor)
1154	Reference number	C an..35	C an..35	Supplier's order number
1156	Line number	C an..6	C an..6	
4000	Reference version number	C an..35	N	Not used

Remark:

Example:

RFF+VN:SU OrdNo:001'

No = Consecutive segment number
 MaxOcc = Maximum occurrence of the segment/group
 Counter = Counter of segment/group within the standard

St = Status
 EDIFACT: M=Mandatory, C=Conditional
 User specific: R=Required, O=Optional, D=Dependent,
 A=Advised, N=Not used



Counter	No	Tag	St	MaxOcc	Level	Name
---------	----	-----	----	--------	-------	------

0990	28	UNT	M	1	0	MESSAGE TRAILER
------	----	------------	---	---	---	-----------------

Standard			Implementation	
Tag	Name	St Format	St Format	Usage / Remark
UNT				
0074	Number of segments in a message	M n..6	M n..6	Number of segments in the message (UNH and UNT incl)
0062	Message reference number	M an..14	M an..14	This number must be equal the value of UNH_0062

Remark:

Example:

UNT+28+468530'

No = Consecutive segment number
 MaxOcc = Maximum occurrence of the segment/group
 Counter = Counter of segment/group within the standard

St = Status
 EDIFACT: M=Mandatory, C=Conditional
 User specific: R=Required, O=Optional, D=Dependent,
 A=Advised, N=Not used