



Message Implementation Guideline

## SKF Purchase Order Response D96A 1.0

based on

**ORDRSP**

Purchase order response message

**UN D.96A S3**

Issue date: 2011-11-16

Author: Kennert Roupe

1 Message Structure.....	2
2 Branching Diagram .....	3
3 Segments .....	7

## Structure / Table of Contents

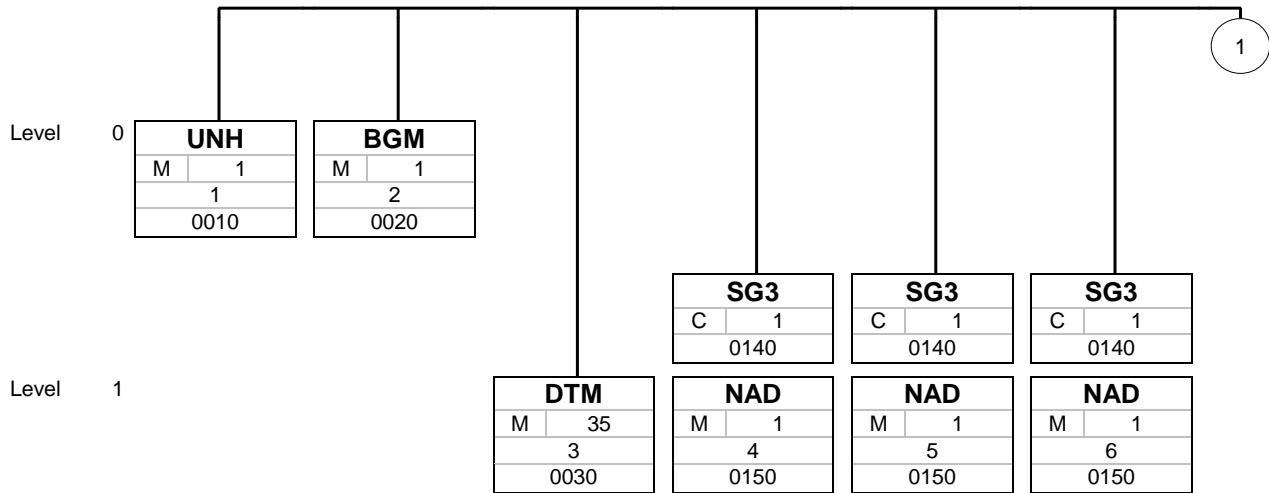
Counter	No	Tag	St	MaxOcc	Level	Content
0010	1	<b>UNH</b>	M	1	0	MESSAGE HEADER
0020	2	<b>BGM</b>	M	1	0	Beginning of message
0030	3	<b>DTM</b>	M	35	1	Date/time/period
0140		<b>SG3</b>	C	1	1	NAD
0150	4	<b>NAD</b>	M	1	1	Name and address
0140		<b>SG3</b>	C	1	1	NAD
0150	5	<b>NAD</b>	M	1	1	Name and address
0140		<b>SG3</b>	C	1	1	NAD
0150	6	<b>NAD</b>	M	1	1	Name and address
0310		<b>SG8</b>	C	5	1	CUX
0320	7	<b>CUX</b>	M	1	1	Currencies
0960		<b>SG26</b>	C	200000	1	LIN-IMD-QTY-DTM-SG30-SG31
0970	8	<b>LIN</b>	M	1	1	Line item
0990	9	<b>IMD</b>	C	1	2	Item description
1010	10	<b>QTY</b>	C	10	2	Quantity
1040	11	<b>DTM</b>	C	35	2	Date/time/period
1240		<b>SG30</b>	C	25	2	PRI
1250	12	<b>PRI</b>	M	1	2	Price details
1300		<b>SG31</b>	C	999	2	RFF
1310	13	<b>RFF</b>	M	1	2	Reference
2150	14	<b>UNS</b>	M	1	0	SECTION CONTROL
2220	15	<b>UNT</b>	M	1	0	MESSAGE TRAILER

Counter = Counter of segment/group within the standard  
 No = Consecutive segment number  
 MaxOcc = Maximum occurrence of the segment/group

St = Status  
 EDIFACT: M=Mandatory, C=Conditional  
 User specific: R=Required, O=Optional, D=Dependent,  
 A=Advised, N=Not used

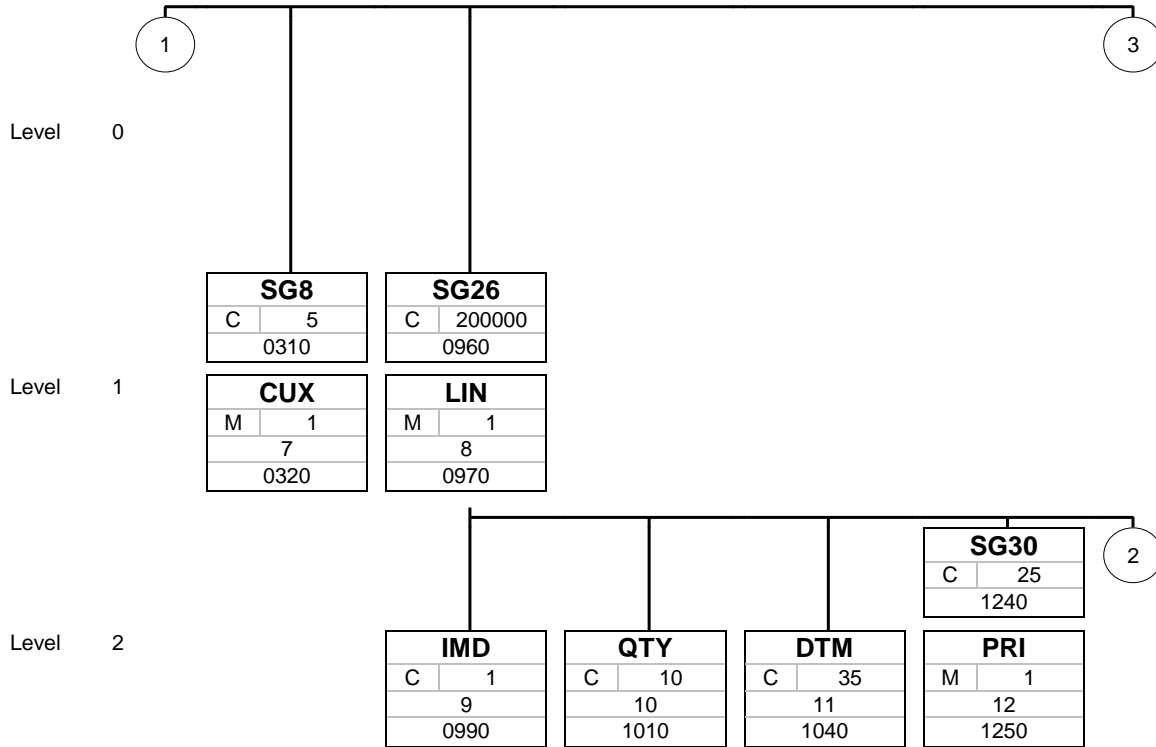


**Branching Diagram of Used Segments/Groups**



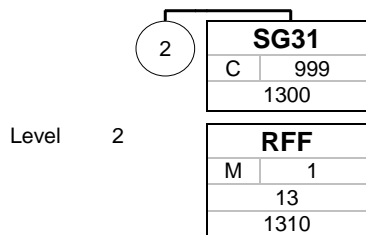
Tag
St MaxOcc
No
Counter

Tag = Segment/Group Tag  
 St = Status (M=Mandatory, C=Conditional, R=Required, O=Optional, A=Advised, D=Dependent)  
 MaxOcc = Maximum occurrence of the segment/group  
 No = Consecutive segment number  
 Counter = Counter of segment/group within the standard



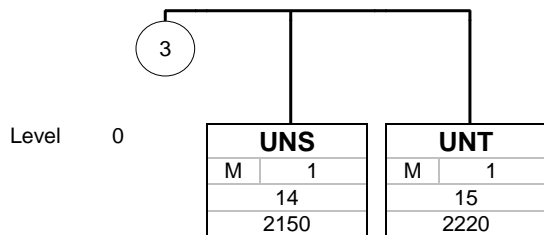
Tag
St MaxOcc
No
Counter

Tag = Segment/Group Tag  
 St = Status (M=Mandatory, C=Conditional, R=Required, O=Optional, A=Advised, D=Dependent)  
 MaxOcc = Maximum occurrence of the segment/group  
 No = Consecutive segment number  
 Counter = Counter of segment/group within the standard



Tag
St MaxOcc
No
Counter

Tag = Segment/Group Tag  
 St = Status (M=Mandatory, C=Conditional, R=Required, O=Optional, A=Advised, D=Dependent)  
 MaxOcc = Maximum occurrence of the segment/group  
 No = Consecutive segment number  
 Counter = Counter of segment/group within the standard



Tag
St MaxOcc
No
Counter

Tag = Segment/Group Tag  
 St = Status (M=Mandatory, C=Conditional, R=Required, O=Optional, A=Advised, D=Dependent)  
 MaxOcc = Maximum occurrence of the segment/group  
 No = Consecutive segment number  
 Counter = Counter of segment/group within the standard



**Segments**

Counter	No	Tag	St	MaxOcc	Level	Name
0010	1	<b>UNH</b>	M	1	0	MESSAGE HEADER

Standard			Implementation	
Tag	Name	St Format	St Format	Usage / Remark
UNH				
0062	Message reference number	M an..14	M an..14	Message reference number. This value must be equal the value of UNT0062
S009	MESSAGE IDENTIFIER	M	M	
0065	Message type identifier	M an..6	M an..6	<b>ORDRSP Purchase order response message</b>
0052	Message type version number	M an..3	M an..3	<b>D Draft directory</b>
0054	Message type release number	M an..3	M an..3	<b>96A Version 96A</b>
0051	Controlling agency	M an..2	M an..2	<b>UN UN/ECE/TRADE/WP.4, United Nations Standard Messages (UNSM)</b>
0057	Association assigned code	C an..6	N	Not used
0068	Common access reference	C an..35	N	Not used
S010	STATUS OF THE TRANSFER	C	N	
0070	Sequence message transfer number	M n..2	N	Not used
0073	First/last sequence message transfer indication	C a1	N	Not used

**Remark:**

**Example:**

UNH+224931+ORDRSP:D:96A:UN'

No = Consecutive segment number  
 MaxOcc = Maximum occurrence of the segment/group  
 Counter = Counter of segment/group within the standard

St = Status  
 EDIFACT: M=Mandatory, C=Conditional  
 User specific: R=Required, O=Optional, D=Dependent,  
 A=Advised, N=Not used



Counter	No	Tag	St	MaxOcc	Level	Name
---------	----	-----	----	--------	-------	------

0020 2 **BGM** M 1 0 **Beginning of message**

Standard			Implementation	
Tag	Name	St Format	St Format	Usage / Remark
BGM				
C002	Document/message name	C	C	
1001	Document/message name, coded	C an..3	C an..3	<b>231 Purchase order response</b>
1131	Code list qualifier	C an..3	N	Not used
3055	Code list responsible agency, coded	C an..3	N	Not used
1000	Document/message name	C an..35	N	Not used
1004	Document/message number	C an..35	C an..35	
1225	Message function, coded	C an..3	C an..3	<b>9 Original</b>
4343	Response type, coded	C an..3	N	Not used

**Remark:**

**Example:**

BGM+231+2011010200164+9'

No = Consecutive segment number  
 MaxOcc = Maximum occurrence of the segment/group  
 Counter = Counter of segment/group within the standard

St = Status  
 EDIFACT: M=Mandatory, C=Conditional  
 User specific: R=Required, O=Optional, D=Dependent,  
 A=Advised, N=Not used





Counter	No	Tag	St	MaxOcc	Level	Name
---------	----	-----	----	--------	-------	------

0030 3 **DTM** M 35 1 Date/time/period

Standard			Implementation	
Tag	Name	St Format	St Format	Usage / Remark
DTM				
C507	Date/time/period	M	M	
2005	Date/time/period qualifier	M an..3	M an..3	<b>137 Document/message date/time</b>
2380	Date/time/period	C an..35	C an..35	
2379	Date/time/period format qualifier	C an..3	C an..3	<b>102 CCYYMMDD</b> <b>204 CCYYMMDDHHMMSS</b>

**Remark:**

**Example:**

DTM+137:20111010123155:204'

No = Consecutive segment number  
 MaxOcc = Maximum occurrence of the segment/group  
 Counter = Counter of segment/group within the standard

St = Status  
 EDIFACT: M=Mandatory, C=Conditional  
 User specific: R=Required, O=Optional, D=Dependent,  
 A=Advised, N=Not used



Counter	No	Tag	St	MaxOcc	Level	Name
0140		<b>SG3</b>	C	1	1	<b>NAD</b>
0150	4	<b>NAD</b>	M	1	1	<b>Name and address</b>

Standard			Implementation	
Tag	Name	St Format	St Format	Usage / Remark
NAD				
3035	Party qualifier	M an..3	M an..3	<b>BY Buyer</b>
C082	Party identification details	C	C	
3039	Party id. identification	M an..35	M an..35	
1131	Code list qualifier	C an..3	N	Not used
3055	Code list responsible agency, coded	C an..3	N	Not used
C058	Name and address	C	N	
3124	Name and address line	M an..35	N	Not used
3124	Name and address line	C an..35	N	Not used
3124	Name and address line	C an..35	N	Not used
3124	Name and address line	C an..35	N	Not used
3124	Name and address line	C an..35	N	Not used
C080	Party name	C	N	
3036	Party name	M an..35	N	Not used
3036	Party name	C an..35	N	Not used
3036	Party name	C an..35	N	Not used
3036	Party name	C an..35	N	Not used
3036	Party name	C an..35	N	Not used
3045	Party name format, coded	C an..3	N	Not used
C059	Street	C	N	
3042	Street and number/p.o. box	M an..35	N	Not used
3042	Street and number/p.o. box	C an..35	N	Not used
3042	Street and number/p.o. box	C an..35	N	Not used
3042	Street and number/p.o. box	C an..35	N	Not used
3164	City name	C an..35	N	Not used
3229	Country sub-entity identification	C an..9	N	Not used
3251	Postcode identification	C an..9	N	Not used
3207	Country, coded	C an..3	N	Not used

**Remark:**

**Example:**

NAD+BY+CUST123'

No = Consecutive segment number  
 MaxOcc = Maximum occurrence of the segment/group  
 Counter = Counter of segment/group within the standard

St = Status  
 EDIFACT: M=Mandatory, C=Conditional  
 User specific: R=Required, O=Optional, D=Dependent,  
 A=Advised, N=Not used



Counter	No	Tag	St	MaxOcc	Level	Name
0140		<b>SG3</b>	C	1	1	<b>NAD</b>
0150	5	<b>NAD</b>	M	1	1	<b>Name and address</b>

Standard			Implementation	
Tag	Name	St Format	St Format	Usage / Remark
NAD				
3035	Party qualifier	M an..3	M an..3	<b>SU Supplier</b>
C082	Party identification details	C	C	
3039	Party id. identification	M an..35	M an..35	
1131	Code list qualifier	C an..3	N	Not used
3055	Code list responsible agency, coded	C an..3	N	Not used
C058	Name and address	C	N	
3124	Name and address line	M an..35	N	Not used
3124	Name and address line	C an..35	N	Not used
3124	Name and address line	C an..35	N	Not used
3124	Name and address line	C an..35	N	Not used
3124	Name and address line	C an..35	N	Not used
C080	Party name	C	N	
3036	Party name	M an..35	N	Not used
3036	Party name	C an..35	N	Not used
3036	Party name	C an..35	N	Not used
3036	Party name	C an..35	N	Not used
3036	Party name	C an..35	N	Not used
3045	Party name format, coded	C an..3	N	Not used
C059	Street	C	N	
3042	Street and number/p.o. box	M an..35	N	Not used
3042	Street and number/p.o. box	C an..35	N	Not used
3042	Street and number/p.o. box	C an..35	N	Not used
3042	Street and number/p.o. box	C an..35	N	Not used
3164	City name	C an..35	N	Not used
3229	Country sub-entity identification	C an..9	N	Not used
3251	Postcode identification	C an..9	N	Not used
3207	Country, coded	C an..3	N	Not used

**Remark:**

**Example:**

NAD+SU+SUPP123'

No = Consecutive segment number  
 MaxOcc = Maximum occurrence of the segment/group  
 Counter = Counter of segment/group within the standard

St = Status  
 EDIFACT: M=Mandatory, C=Conditional  
 User specific: R=Required, O=Optional, D=Dependent,  
 A=Advised, N=Not used



Counter	No	Tag	St	MaxOcc	Level	Name
0140		<b>SG3</b>	C	1	1	<b>NAD</b>
0150	6	<b>NAD</b>	M	1	1	<b>Name and address</b>

Standard			Implementation	
Tag	Name	St Format	St Format	Usage / Remark
NAD				
3035	Party qualifier	M an..3	M an..3	Party to which goods should be delivered <b>DP Delivery party</b>
C082	Party identification details	C	C	
3039	Party id. identification	M an..35	M an..35	
1131	Code list qualifier	C an..3	N	Not used
3055	Code list responsible agency, coded	C an..3	N	Not used
C058	Name and address	C	N	
3124	Name and address line	M an..35	M an..35	
3124	Name and address line	C an..35	N	Not used
3124	Name and address line	C an..35	N	Not used
3124	Name and address line	C an..35	N	Not used
3124	Name and address line	C an..35	N	Not used
C080	Party name	C	C	
3036	Party name	M an..35	M an..35	Map to 1st occurrence of oa:Name
3036	Party name	C an..35	N	Not used
3036	Party name	C an..35	N	Not used
3036	Party name	C an..35	N	Not used
3036	Party name	C an..35	N	Not used
3045	Party name format, coded	C an..3	N	Not used
C059	Street	C	C	
3042	Street and number/p.o. box	M an..35	M an..35	
3042	Street and number/p.o. box	C an..35	C an..35	
3042	Street and number/p.o. box	C an..35	N	Not used
3042	Street and number/p.o. box	C an..35	N	Not used
3164	City name	C an..35	C an..35	
3229	Country sub-entity identification	C an..9	N	Not used
3251	Postcode identification	C an..9	C an..9	
3207	Country, coded	C an..3	N	Not used

**Remark:**

**Example:**

NAD+DP+DELP123++ALMACEN SKF PUEBLA+KM.125 AUTOPISTA MEXICO-PUEBLA:NO. 1103+PUEBLA++72000'

No = Consecutive segment number  
 MaxOcc = Maximum occurrence of the segment/group  
 Counter = Counter of segment/group within the standard

St = Status  
 EDIFACT: M=Mandatory, C=Conditional  
 User specific: R=Required, O=Optional, D=Dependent,  
 A=Advised, N=Not used



Counter	No	Tag	St	MaxOcc	Level	Name
0310		<b>SG8</b>	C	5	1	<b>CUX</b>
0320	7	<b>CUX</b>	M	1	1	<b>Currencies</b>

Standard			Implementation	
Tag	Name	St Format	St Format	Usage / Remark
CUX				
C504	Currency details	C	C	
6347	Currency details qualifier	M an..3	M an..3	<b>2 Reference currency</b>
6345	Currency, coded	C an..3	C an..3	ISO code (invoicing currency) <b>USD US Dollar</b>
6343	Currency qualifier	C an..3	C an..3	<b>9 Order currency</b>
6348	Currency rate base	C n..4	N	Not used
C504	Currency details	C	N	
6347	Currency details qualifier	M an..3	N	Not used
6345	Currency, coded	C an..3	N	Not used
6343	Currency qualifier	C an..3	N	Not used
6348	Currency rate base	C n..4	N	Not used
5402	Rate of exchange	C n..12	N	Not used
6341	Currency market exchange, coded	C an..3	N	Not used

**Remark:**

**Example:**

CUX+2 : USD : 9 '

No = Consecutive segment number  
 MaxOcc = Maximum occurrence of the segment/group  
 Counter = Counter of segment/group within the standard

St = Status  
 EDIFACT: M=Mandatory, C=Conditional  
 User specific: R=Required, O=Optional, D=Dependent,  
 A=Advised, N=Not used



Counter	No	Tag	St	MaxOcc	Level	Name
0960		<b>SG26</b>	C	200000	1	<b>LIN-IMD-QTY-DTM-SG30-SG31</b> Every instance of skf:Line generates a new instance of SG25 LIN...
0970	8	<b>LIN</b>	M	1	1	<b>Line item</b>

		Standard	Implementation	
Tag	Name	St Format	St Format	Usage / Remark
LIN				
1082	Line item number	C n..6	C n..6	Order line number
1229	Action request/notification, coded	C an..3	C an..3	<b>5 Accepted without amendment</b> <b>6 Accepted with amendment</b> <b>7 Not accepted</b>
C212	Item number identification	C	C	
7140	Item number	C an..35	C an..35	Customer item number
7143	Item number type, coded	C an..3	N	Not used
1131	Code list qualifier	C an..3	N	Not used
3055	Code list responsible agency, coded	C an..3	N	Not used
C829	Sub-line information	C	N	
5495	Sub-line indicator, coded	C an..3	N	Not used
1082	Line item number	C n..6	N	Not used
1222	Configuration level	C n..2	N	Not used
7083	Configuration, coded	C an..3	N	Not used

**Remark:**

**Example:**

LIN+1+5+Item number'

No = Consecutive segment number  
 MaxOcc = Maximum occurrence of the segment/group  
 Counter = Counter of segment/group within the standard

St = Status  
 EDIFACT: M=Mandatory, C=Conditional  
 User specific: R=Required, O=Optional, D=Dependent,  
 A=Advised, N=Not used



Counter	No	Tag	St	MaxOcc	Level	Name
0960		<b>SG26</b>	C	200000	1	<b>LIN-IMD-QTY-DTM-SG30-SG31</b> Every instance of skf:Line generates a new instance of SG25 LIN-...
0990	9	<b>IMD</b>	C	1	2	<b>Item description</b>

		Standard	Implementation		
Tag	Name	St Format	St Format	Usage / Remark	
IMD					
7077	Item description type, coded	C an..3	N	Not used	
7081	Item characteristic, coded	C an..3	N	Not used	
C273	Item description	C	C		
7009	Item description identification	C an..17	N	Not used	
1131	Code list qualifier	C an..3	N	Not used	
3055	Code list responsible agency, coded	C an..3	N	Not used	
7008	Item description	C an..35	C an..35	Map to 1st occurrence of oa:Description	
7008	Item description	C an..35	N	Not used	
3453	Language, coded	C an..3	N	Not used	
7383	Surface/layer indicator, coded	C an..3	N	Not used	

**Remark:**

**Example:**

IMD+++:::DESCRIPTION'

No = Consecutive segment number  
 MaxOcc = Maximum occurrence of the segment/group  
 Counter = Counter of segment/group within the standard

St = Status  
 EDIFACT: M=Mandatory, C=Conditional  
 User specific: R=Required, O=Optional, D=Dependent,  
 A=Advised, N=Not used



Counter	No	Tag	St	MaxOcc	Level	Name
0960		<b>SG26</b>	C	200000	1	<b>LIN-IMD-QTY-DTM-SG30-SG31</b> Every instance of skf:Line generates a new instance of SG25 LIN-...
1010	10	<b>QTY</b>	C	10	2	<b>Quantity</b>

Standard			Implementation	
Tag	Name	St Format	St Format	Usage / Remark
QTY				
C186	Quantity details	M	M	
6063	Quantity qualifier	M an..3	M an..3	<b>21 Ordered quantity</b>
6060	Quantity	M n..15	M n..15	
6411	Measure unit qualifier	C an..3	C an..3	Indication of the unit of measurement in which weight (mass), capacity, length, area, volume or other quantity is expressed.

**Remark:**

**Example:**

QTY+21:1:PCE'

No = Consecutive segment number  
 MaxOcc = Maximum occurrence of the segment/group  
 Counter = Counter of segment/group within the standard

St = Status  
 EDIFACT: M=Mandatory, C=Conditional  
 User specific: R=Required, O=Optional, D=Dependent,  
 A=Advised, N=Not used





Counter	No	Tag	St	MaxOcc	Level	Name
0960		<b>SG26</b>	C	200000	1	<b>LIN-IMD-QTY-DTM-SG30-SG31</b> Every instance of skf:Line generates a new instance of SG25 LIN-...
1040	11	<b>DTM</b>	C	35	2	<b>Date/time/period</b>

Standard			Implementation	
Tag	Name	St Format	St Format	Usage / Remark
DTM				
C507	Date/time/period	M	M	
2005	Date/time/period qualifier	M an..3	M an..3	<b>69 Delivery date/time, promised for</b>
2380	Date/time/period	C an..35	C an..35	
2379	Date/time/period format qualifier	C an..3	C an..3	<b>102 CCYYMMDD</b>

**Remark:**

**Example:**

DTM+2:20111010:102'

No = Consecutive segment number  
 MaxOcc = Maximum occurrence of the segment/group  
 Counter = Counter of segment/group within the standard

St = Status  
 EDIFACT: M=Mandatory, C=Conditional  
 User specific: R=Required, O=Optional, D=Dependent,  
 A=Advised, N=Not used



Counter	No	Tag	St	MaxOcc	Level	Name
1240		<b>SG30</b>	C	25	2	<b>PRI</b>
1250	12	<b>PRI</b>	M	1	2	<b>Price details</b>

Standard			Implementation	
Tag	Name	St Format	St Format	Usage / Remark
PRI				
C509	Price information	C	C	
5125	Price qualifier	M an..3	M an..3	<b>AAA Calculation net</b>
5118	Price	C n..15	C n..15	
5375	Price type, coded	C an..3	N	Not used
5387	Price type qualifier	C an..3	N	Not used
5284	Unit price basis	C n..9	N	Not used
6411	Measure unit qualifier	C an..3	N	Not used
5213	Sub-line price change, coded	C an..3	N	Not used

**Remark:**

**Example:**

PRI+AAA:230.09'

No = Consecutive segment number  
 MaxOcc = Maximum occurrence of the segment/group  
 Counter = Counter of segment/group within the standard

St = Status  
 EDIFACT: M=Mandatory, C=Conditional  
 User specific: R=Required, O=Optional, D=Dependent,  
 A=Advised, N=Not used



Counter	No	Tag	St	MaxOcc	Level	Name
1300		<b>SG31</b>	C	999	2	<b>RFF</b>
1310	13	<b>RFF</b>	M	1	2	<b>Reference</b>

Standard			Implementation	
Tag	Name	St Format	St Format	Usage / Remark
RFF				
C506	Reference	M	M	
1153	Reference qualifier	M an..3	M an..3	<b>VN Order number (vendor)</b>
1154	Reference number	C an..35	C an..35	
1156	Line number	C an..6	N	Not used
4000	Reference version number	C an..35	N	Not used

**Remark:**

**Example:**

RFF+VN:K123456'

No = Consecutive segment number  
 MaxOcc = Maximum occurrence of the segment/group  
 Counter = Counter of segment/group within the standard

St = Status  
 EDIFACT: M=Mandatory, C=Conditional  
 User specific: R=Required, O=Optional, D=Dependent,  
 A=Advised, N=Not used



Counter	No	Tag	St	MaxOcc	Level	Name
---------	----	-----	----	--------	-------	------

2150 14 **UNS** M 1 0 SECTION CONTROL

Standard			Implementation	
Tag	Name	St Format	St Format	Usage / Remark
UNS				
0081	Section identification	M a1	M a1	<b>S</b> Detail/summary section separation

**Remark:**

**Example:**

UNS+S'

No = Consecutive segment number  
 MaxOcc = Maximum occurrence of the segment/group  
 Counter = Counter of segment/group within the standard

St = Status  
 EDIFACT: M=Mandatory, C=Conditional  
 User specific: R=Required, O=Optional, D=Dependent,  
 A=Advised, N=Not used



Counter	No	Tag	St	MaxOcc	Level	Name
---------	----	-----	----	--------	-------	------

2220 15 **UNT** M 1 0 MESSAGE TRAILER

Standard			Implementation	
Tag	Name	St Format	St Format	Usage / Remark
UNT				
0074	Number of segments in a message	M n..6	M n..6	Number of segments in the message (UNH and UNT incl.)
0062	Message reference number	M an..14	M an..14	Message reference number. This value must be equal the value of UNH0062

**Remark:**

**Example:**

UNT+15+224931'

No = Consecutive segment number  
 MaxOcc = Maximum occurrence of the segment/group  
 Counter = Counter of segment/group within the standard

St = Status  
 EDIFACT: M=Mandatory, C=Conditional  
 User specific: R=Required, O=Optional, D=Dependent,  
 A=Advised, N=Not used