



Message Implementation Guideline

## SKF Purchase Dispatch Advice D96A 1.1

based on

**DESADV**

Despatch advice message

**UN D.96A S3**

Issue date: 2013-03-07

Author: Anette Repo, HP

1 Message Structure.....	2
2 Branching Diagram .....	4
3 Segments .....	11



**Structure / Table of Contents**

Counter	No	Tag	St	MaxOcc	Level	Content
0010	1	UNH	M	1	0	MESSAGE HEADER
0020	2	BGM	M	1	0	Beginning of message
0030	3	DTM	C	3	1	Date/time/period
0030	4	DTM	C	3	1	Date/time/period
0030	5	DTM	C	3	1	Date/time/period
0050	6	MEA	C	2	1	Measurements
0050	7	MEA	C	2	1	Measurements
0100		SG2	R	3	1	NAD
0110	8	NAD	M	1	1	Name and address
0100		SG2	R	3	1	NAD
0110	9	NAD	M	1	1	Name and address
0100		SG2	R	3	1	NAD-LOC
0110	10	NAD	M	1	1	Name and address
0120	11	LOC	R	1	2	Place/location identification
0230		SG6	C	1	1	TDT
0240	12	TDT	M	1	1	Details of transport
0370		SG10	R	9999	1	CPS-SG11-SG15
0380	13	CPS	M	1	1	Consignment packing sequence
0400		SG11	R	9999	2	PAC-QTY-SG13
0410	14	PAC	M	1	2	Package
0430	15	QTY	C	1	3	Quantity
0470		SG13	R	1000	3	PCI-GIR
0480	16	PCI	M	1	3	Package identification
0510	17	GIR	R	99	4	Related identification numbers
0550		SG15	C	1	2	LIN-PIA-MEA-MEA-MEA-QTY-ALI-SG16-SG16-SG16
0560	18	LIN	M	1	2	Line item
0570	19	PIA	C	1	3	Additional product id
0590	20	MEA	C	3	3	Measurements
0590	21	MEA	C	3	3	Measurements
0590	22	MEA	C	3	3	Measurements
0600	23	QTY	C	1	3	Quantity
0610	24	ALI	C	1	3	Additional information
0680		SG16	C	3	3	RFF
0690	25	RFF	M	1	3	Reference
0680		SG16	C	3	3	RFF
0690	26	RFF	M	1	3	Reference
0680		SG16	C	3	3	RFF

Counter = Counter of segment/group within the standard  
 No = Consecutive segment number  
 MaxOcc = Maximum occurrence of the segment/group

St = Status  
 EDIFACT: M=Mandatory, C=Conditional  
 User specific: R=Required, O=Optional, D=Dependent,  
 A=Advised, N=Not used



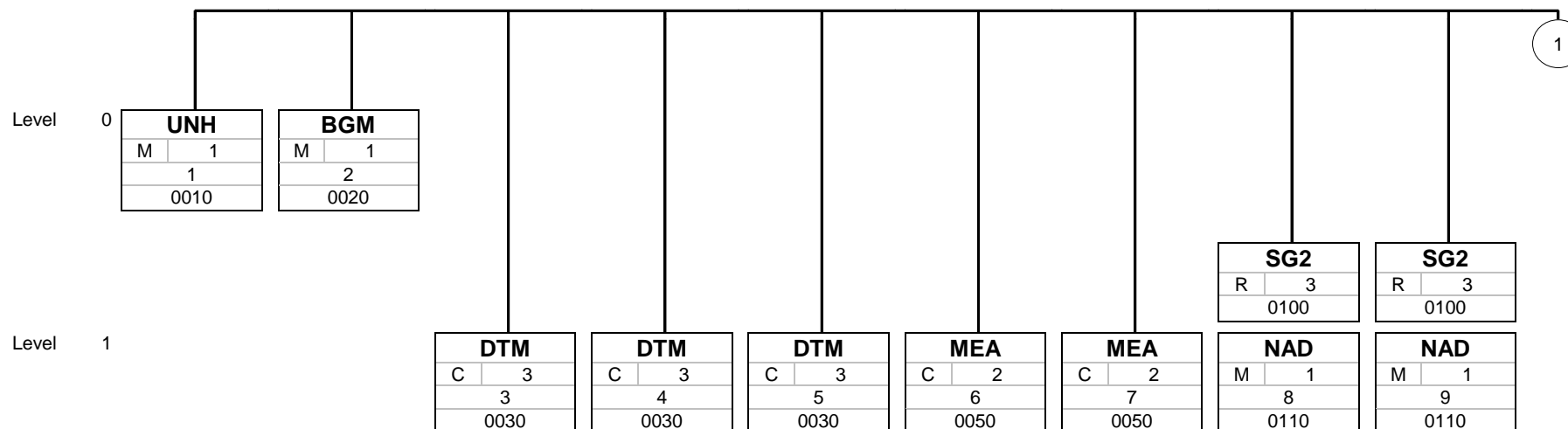
Counter	No	Tag	St	MaxOcc	Level	Content
0690	27	RFF	M	1	3	Reference
0990	28	UNT	M	1	0	MESSAGE TRAILER

Counter = Counter of segment/group within the standard  
 No = Consecutive segment number  
 MaxOcc = Maximum occurrence of the segment/group

St = Status  
 EDIFACT: M=Mandatory, C=Conditional  
 User specific: R=Required, O=Optional, D=Dependent,  
 A=Advised, N=Not used

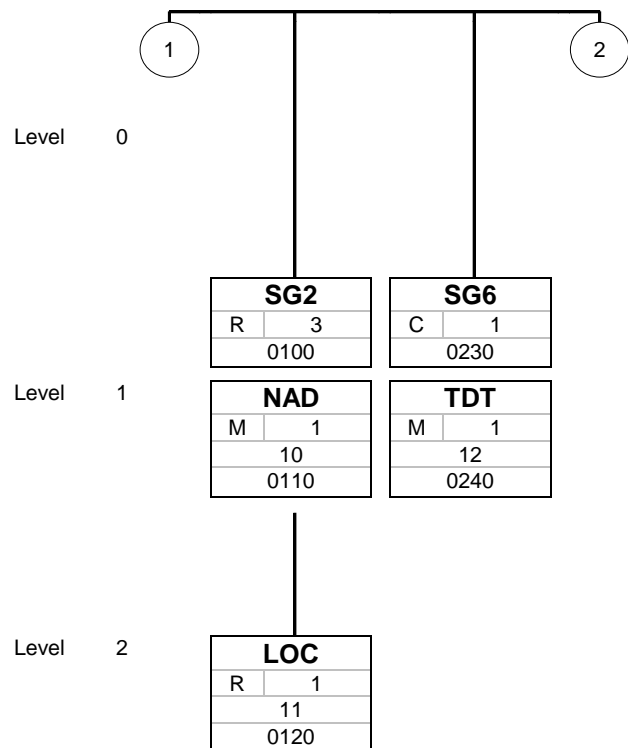


### Branching Diagram of Used Segments/Groups



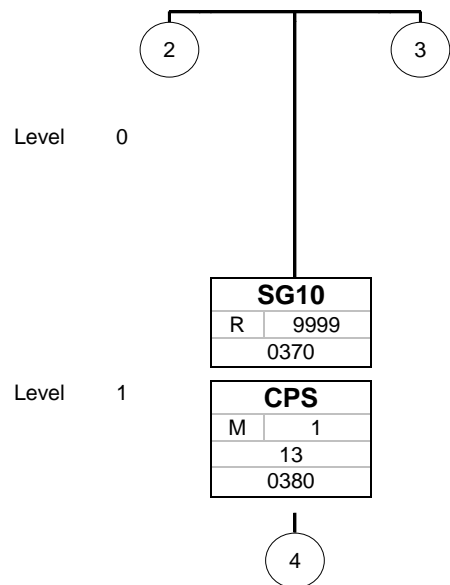
Tag
St MaxOcc
No
Counter

Tag = Segment/Group Tag  
 St = Status (M=Mandatory, C=Conditional, R=Required, O=Optional, A=Advised, D=Dependent)  
 MaxOcc = Maximum occurrence of the segment/group  
 No = Consecutive segment number  
 Counter = Counter of segment/group within the standard



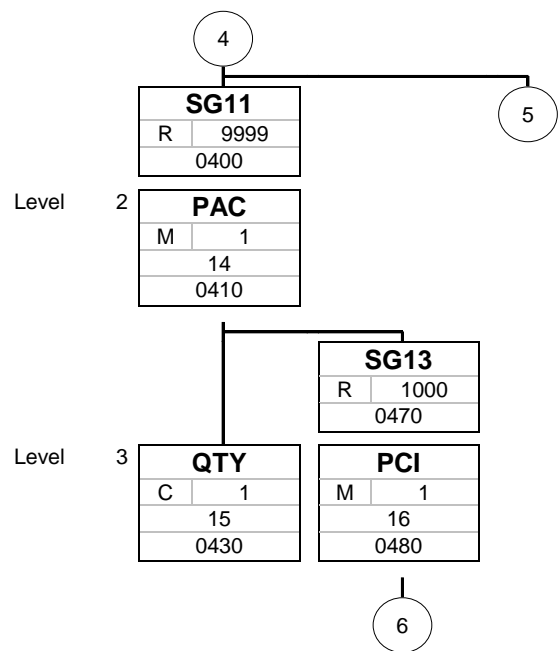
Tag
St MaxOcc
No
Counter

Tag = Segment/Group Tag  
 St = Status (M=Mandatory, C=Conditional, R=Required, O=Optional, A=Advised, D=Dependent)  
 MaxOcc = Maximum occurrence of the segment/group  
 No = Consecutive segment number  
 Counter = Counter of segment/group within the standard



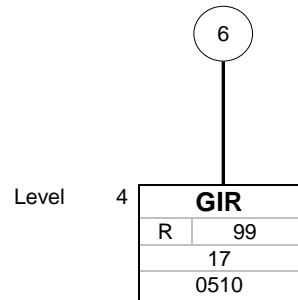
Tag
St MaxOcc
No
Counter

Tag = Segment/Group Tag  
 St = Status (M=Mandatory, C=Conditional, R=Required, O=Optional, A=Advised, D=Dependent)  
 MaxOcc = Maximum occurrence of the segment/group  
 No = Consecutive segment number  
 Counter = Counter of segment/group within the standard



Tag
St MaxOcc
No
Counter

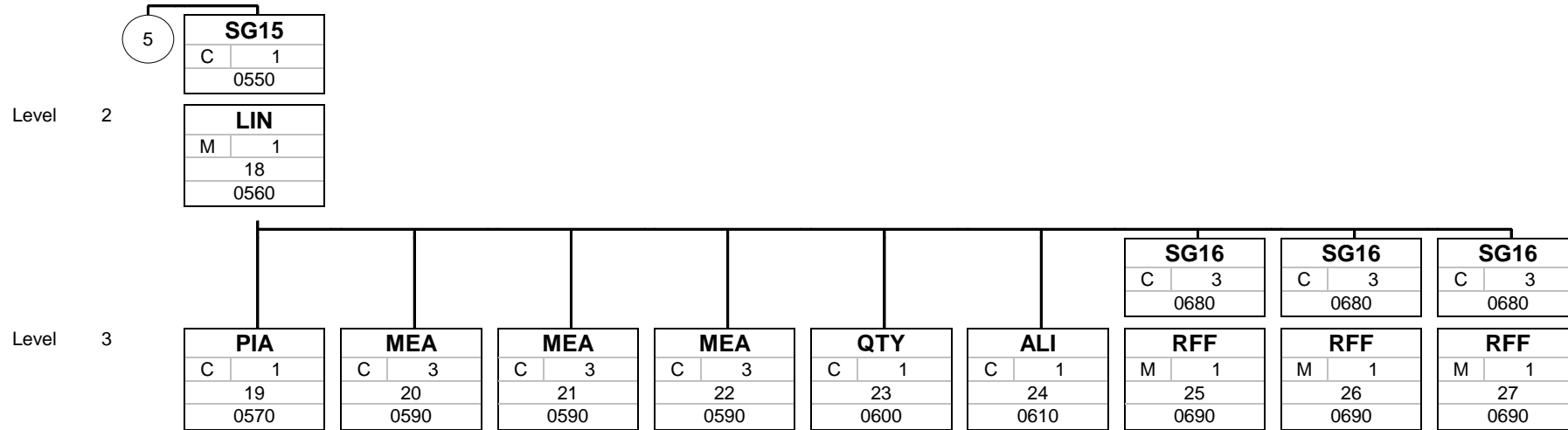
Tag = Segment/Group Tag  
 St = Status (M=Mandatory, C=Conditional, R=Required, O=Optional, A=Advised, D=Dependent)  
 MaxOcc = Maximum occurrence of the segment/group  
 No = Consecutive segment number  
 Counter = Counter of segment/group within the standard



Tag
St MaxOcc
No
Counter

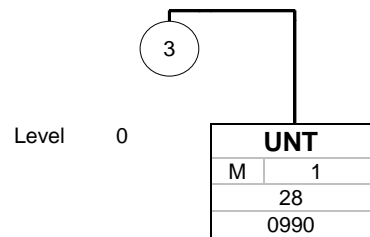
Tag = Segment/Group Tag  
 St = Status (M=Mandatory, C=Conditional, R=Required, O=Optional, A=Advised, D=Dependent)  
 MaxOcc = Maximum occurrence of the segment/group  
 No = Consecutive segment number  
 Counter = Counter of segment/group within the standard





Tag
St MaxOcc
No
Counter

Tag = Segment/Group Tag  
 St = Status (M=Mandatory, C=Conditional, R=Required, O=Optional, A=Advised, D=Dependent)  
 MaxOcc = Maximum occurrence of the segment/group  
 No = Consecutive segment number  
 Counter = Counter of segment/group within the standard



Tag
St MaxOcc
No
Counter

Tag = Segment/Group Tag  
 St = Status (M=Mandatory, C=Conditional, R=Required, O=Optional, A=Advised, D=Dependent)  
 MaxOcc = Maximum occurrence of the segment/group  
 No = Consecutive segment number  
 Counter = Counter of segment/group within the standard



**Segments**

Counter	No	Tag	St	MaxOcc	Level	Name
0010	1	<b>UNH</b>	M	1	0	MESSAGE HEADER

Standard			Implementation	
Tag	Name	St Format	St Format	Usage / Remark
UNH				
0062	Message reference number	M an..14	M an..14	Message reference number This number must be equal to the value of UNT_0062
S009	MESSAGE IDENTIFIER	M	M	
0065	Message type identifier	M an..6	M an..6	<b>DESADV Despatch advice message</b>
0052	Message type version number	M an..3	M an..3	<b>D Draft directory</b>
0054	Message type release number	M an..3	M an..3	<b>96A Version 96A</b>
0051	Controlling agency	M an..2	M an..2	<b>UN UN/ECE/TRADE/WP.4, United Nations Standard Messages (UNSM)</b>
0057	Association assigned code	C an..6	N	Not used
0068	Common access reference	C an..35	N	Not used
S010	STATUS OF THE TRANSFER	C	N	
0070	Sequence message transfer number	M n..2	N	Not used
0073	First/last sequence message transfer indication	C a1	N	Not used

**Remark:**

**Example:**

UNH+468530+DESADV:D:96A:UN'

No = Consecutive segment number  
 MaxOcc = Maximum occurrence of the segment/group  
 Counter = Counter of segment/group within the standard

St = Status  
 EDIFACT: M=Mandatory, C=Conditional  
 User specific: R=Required, O=Optional, D=Dependent,  
 A=Advised, N=Not used



Counter	No	Tag	St	MaxOcc	Level	Name
---------	----	-----	----	--------	-------	------

0020 2 **BGM** M 1 0 **Beginning of message**

			Standard	Implementation	
Tag	Name	St	Format	St	Format / Remark
BGM					
C002	Document/message name	C		R	
1001	Document/message name, coded	C	an..3	R	an..3 <b>351 Despatch advice</b> <b>78 Inventory movement advice</b>
1131	Code list qualifier	C	an..3	N	Not used
3055	Code list responsible agency, coded	C	an..3	N	Not used
1000	Document/message name	C	an..35	N	Not used
1004	Document/message number	C	an..35	R	an..35
1225	Message function, coded	C	an..3	N	Not used
4343	Response type, coded	C	an..3	N	Not used

**Remark:**

**Example:**

BGM+351+1519090'

No = Consecutive segment number  
 MaxOcc = Maximum occurrence of the segment/group  
 Counter = Counter of segment/group within the standard

St = Status  
 EDIFACT: M=Mandatory, C=Conditional  
 User specific: R=Required, O=Optional, D=Dependent,  
 A=Advised, N=Not used



Counter	No	Tag	St	MaxOcc	Level	Name
---------	----	-----	----	--------	-------	------

0030	3	<b>DTM</b>	C	3	1	Date/time/period
------	---	------------	---	---	---	------------------

		Standard	Implementation	
Tag	Name	St Format	St Format	Usage / Remark
DTM				
C507	Date/time/period	M	M	
2005	Date/time/period qualifier	M an..3	M an..3	<b>11 Despatch date and or time</b>
2380	Date/time/period	C an..35	C an..35	
2379	Date/time/period format qualifier	C an..3	C an..3	<b>102 CCYYMMDD</b> <b>204 CCYYMMDDHHMMSS</b>

**Remark:**

**Example:**

DTM+11:20050829:102'

No = Consecutive segment number  
 MaxOcc = Maximum occurrence of the segment/group  
 Counter = Counter of segment/group within the standard

St = Status  
 EDIFACT: M=Mandatory, C=Conditional  
 User specific: R=Required, O=Optional, D=Dependent,  
 A=Advised, N=Not used



Counter	No	Tag	St	MaxOcc	Level	Name
---------	----	-----	----	--------	-------	------

0030 4 **DTM** C 3 1 Date/time/period

		Standard	Implementation	
Tag	Name	St Format	St Format	Usage / Remark
DTM				
C507	Date/time/period	M	M	
2005	Date/time/period qualifier	M an..3	M an..3	<b>132 Arrival date/time, estimated</b>
2380	Date/time/period	C an..35	C an..35	
2379	Date/time/period format qualifier	C an..3	C an..3	<b>102 CCYYMMDD</b> <b>204 CCYYMMDDHHMMSS</b>

**Remark:**

**Example:**

DTM+132:20050830:102'

No = Consecutive segment number  
 MaxOcc = Maximum occurrence of the segment/group  
 Counter = Counter of segment/group within the standard

St = Status  
 EDIFACT: M=Mandatory, C=Conditional  
 User specific: R=Required, O=Optional, D=Dependent,  
 A=Advised, N=Not used



Counter	No	Tag	St	MaxOcc	Level	Name
---------	----	-----	----	--------	-------	------

0030	5	<b>DTM</b>	C	3	1	Date/time/period
------	---	------------	---	---	---	------------------

		Standard	Implementation	
Tag	Name	St Format	St Format	Usage / Remark
DTM				
C507	Date/time/period	M	M	
2005	Date/time/period qualifier	M an..3	M an..3	<b>137 Document/message date/time</b>
2380	Date/time/period	C an..35	C an..35	
2379	Date/time/period format qualifier	C an..3	C an..3	<b>102 CCYYMMDD</b> <b>204 CCYYMMDDHHMMSS</b>

**Remark:**

**Example:**

DTM+137:20080829162200:204'

No = Consecutive segment number  
 MaxOcc = Maximum occurrence of the segment/group  
 Counter = Counter of segment/group within the standard

St = Status  
 EDIFACT: M=Mandatory, C=Conditional  
 User specific: R=Required, O=Optional, D=Dependent,  
 A=Advised, N=Not used

Counter	No	Tag	St	MaxOcc	Level	Name
0050	6	<b>MEA</b>	C	2	1	Measurements

		Standard	Implementation		
Tag	Name	St Format	St Format	Usage / Remark	
MEA					
6311	Measurement application qualifier	M an..3	M an..3	<b>AAX Consignment measurement</b>	
C502	Measurement details	C	C		
6313	Measurement dimension, coded	C an..3	C an..3	<b>AAD Total gross weight</b>	
6321	Measurement significance, coded	C an..3	N	Not used	
6155	Measurement attribute, coded	C an..3	N	Not used	
6154	Measurement attribute	C an..70	N	Not used	
C174	Value/range	C	C		
6411	Measure unit qualifier	M an..3	M an..3	<b>KGM Kilogram *</b>	
6314	Measurement value	C n..18	C n..18		
6162	Range minimum	C n..18	N	Not used	
6152	Range maximum	C n..18	N	Not used	
6432	Significant digits	C n..2	N	Not used	
7383	Surface/layer indicator, coded	C an..3	N	Not used	

**Remark:****Example:**

MEA+AAX+AAD+KGM:115.67'

No = Consecutive segment number  
 MaxOcc = Maximum occurrence of the segment/group  
 Counter = Counter of segment/group within the standard

St = Status  
 EDIFACT: M=Mandatory, C=Conditional  
 User specific: R=Required, O=Optional, D=Dependent,  
 A=Advised, N=Not used



Counter	No	Tag	St	MaxOcc	Level	Name
0050	7	<b>MEA</b>	C	2	1	Measurements

		Standard	Implementation	
Tag	Name	St Format	St Format	Usage / Remark
MEA				
6311	Measurement application qualifier	M an..3	M an..3	<b>AAX Consignment measurement</b>
C502	Measurement details	C	C	
6313	Measurement dimension, coded	C an..3	C an..3	<b>ABJ Volume</b>
6321	Measurement significance, coded	C an..3	N	Not used
6155	Measurement attribute, coded	C an..3	N	Not used
6154	Measurement attribute	C an..70	N	Not used
C174	Value/range	C	C	
6411	Measure unit qualifier	M an..3	M an..3	<b>LTR Litre (1 dm3) *</b>
6314	Measurement value	C n..18	C n..18	
6162	Range minimum	C n..18	N	Not used
6152	Range maximum	C n..18	N	Not used
6432	Significant digits	C n..2	N	Not used
7383	Surface/layer indicator, coded	C an..3	N	Not used

**Remark:****Example:**

MEA+AAX+ABJ+LTR:125.6'

No = Consecutive segment number  
 MaxOcc = Maximum occurrence of the segment/group  
 Counter = Counter of segment/group within the standard

St = Status  
 EDIFACT: M=Mandatory, C=Conditional  
 User specific: R=Required, O=Optional, D=Dependent,  
 A=Advised, N=Not used



Counter	No	Tag	St	MaxOcc	Level	Name
	0100	<b>SG2</b>	R	3	1	<b>NAD</b>
	0110	8	<b>NAD</b>	M	1	1 <b>Name and address</b>

Standard			Implementation	
Tag	Name	St Format	St Format	Usage / Remark
NAD				
3035	Party qualifier	M an..3	M an..3	<b>BY Buyer</b>
C082	Party identification details	C	C	
3039	Party id. identification	M an..35	M an..17	
1131	Code list qualifier	C an..3	N	Not used
3055	Code list responsible agency, coded	C an..3	N	Not used
C058	Name and address	C	N	
3124	Name and address line	M an..35	N	Not used
3124	Name and address line	C an..35	N	Not used
3124	Name and address line	C an..35	N	Not used
3124	Name and address line	C an..35	N	Not used
3124	Name and address line	C an..35	N	Not used
C080	Party name	C	N	
3036	Party name	M an..35	N	Not used
3036	Party name	C an..35	N	Not used
3036	Party name	C an..35	N	Not used
3036	Party name	C an..35	N	Not used
3036	Party name	C an..35	N	Not used
3045	Party name format, coded	C an..3	N	Not used
C059	Street	C	N	
3042	Street and number/p.o. box	M an..35	N	Not used
3042	Street and number/p.o. box	C an..35	N	Not used
3042	Street and number/p.o. box	C an..35	N	Not used
3042	Street and number/p.o. box	C an..35	N	Not used
3164	City name	C an..35	N	Not used
3229	Country sub-entity identification	C an..9	N	Not used
3251	Postcode identification	C an..9	N	Not used
3207	Country, coded	C an..3	N	Not used

**Remark:**

**Example:**

NAD+BY+SKF123'

No = Consecutive segment number  
 MaxOcc = Maximum occurrence of the segment/group  
 Counter = Counter of segment/group within the standard

St = Status  
 EDIFACT: M=Mandatory, C=Conditional  
 User specific: R=Required, O=Optional, D=Dependent,  
 A=Advised, N=Not used



Counter	No	Tag	St	MaxOcc	Level	Name
0100		<b>SG2</b>	R	3	1	<b>NAD</b>
0110	9	<b>NAD</b>	M	1	1	<b>Name and address</b>

Standard			Implementation	
Tag	Name	St Format	St Format	Usage / Remark
NAD				
3035	Party qualifier	M an..3	M an..3	<b>SU Supplier</b>
C082	Party identification details	C	C	
3039	Party id. identification	M an..35	M an..17	
1131	Code list qualifier	C an..3	N	Not used
3055	Code list responsible agency, coded	C an..3	N	Not used
C058	Name and address	C	N	
3124	Name and address line	M an..35	N	Not used
3124	Name and address line	C an..35	N	Not used
3124	Name and address line	C an..35	N	Not used
3124	Name and address line	C an..35	N	Not used
3124	Name and address line	C an..35	N	Not used
C080	Party name	C	N	
3036	Party name	M an..35	N	Not used
3036	Party name	C an..35	N	Not used
3036	Party name	C an..35	N	Not used
3036	Party name	C an..35	N	Not used
3036	Party name	C an..35	N	Not used
3045	Party name format, coded	C an..3	N	Not used
C059	Street	C	N	
3042	Street and number/p.o. box	M an..35	N	Not used
3042	Street and number/p.o. box	C an..35	N	Not used
3042	Street and number/p.o. box	C an..35	N	Not used
3042	Street and number/p.o. box	C an..35	N	Not used
3164	City name	C an..35	N	Not used
3229	Country sub-entity identification	C an..9	N	Not used
3251	Postcode identification	C an..9	N	Not used
3207	Country, coded	C an..3	N	Not used

**Remark:****Example:**

NAD+SU+ITA1182EU'

No = Consecutive segment number  
 MaxOcc = Maximum occurrence of the segment/group  
 Counter = Counter of segment/group within the standard

St = Status  
 EDIFACT: M=Mandatory, C=Conditional  
 User specific: R=Required, O=Optional, D=Dependent,  
 A=Advised, N=Not used



Counter	No	Tag	St	MaxOcc	Level	Name	
	0100	<b>SG2</b>	R	3	1	<b>NAD-LOC</b>	
	0110	10	<b>NAD</b>	M	1	1	<b>Name and address</b>

		Standard	Implementation	
Tag	Name	St Format	St Format	Usage / Remark
NAD				
3035	Party qualifier	M an..3	M an..3	Party to which goods should be delivered. <b>DP Delivery party</b>
C082	Party identification details	C	C	
3039	Party id. identification	M an..35	M an..17	
1131	Code list qualifier	C an..3	N	Not used
3055	Code list responsible agency, coded	C an..3	N	Not used
C058	Name and address	C	N	
3124	Name and address line	M an..35	N	Not used
3124	Name and address line	C an..35	N	Not used
3124	Name and address line	C an..35	N	Not used
3124	Name and address line	C an..35	N	Not used
3124	Name and address line	C an..35	N	Not used
C080	Party name	C	C	
3036	Party name	M an..35	M an..35	
3036	Party name	C an..35	N	Not used
3036	Party name	C an..35	N	Not used
3036	Party name	C an..35	N	Not used
3036	Party name	C an..35	N	Not used
3045	Party name format, coded	C an..3	N	Not used
C059	Street	C	N	
3042	Street and number/p.o. box	M an..35	N	Not used
3042	Street and number/p.o. box	C an..35	N	Not used
3042	Street and number/p.o. box	C an..35	N	Not used
3042	Street and number/p.o. box	C an..35	N	Not used
3164	City name	C an..35	N	Not used
3229	Country sub-entity identification	C an..9	N	Not used
3251	Postcode identification	C an..9	N	Not used
3207	Country, coded	C an..3	N	Not used

**Remark:****Example:**

NAD+DP+109J++ST Name 1'

No = Consecutive segment number  
 MaxOcc = Maximum occurrence of the segment/group  
 Counter = Counter of segment/group within the standard

St = Status  
 EDIFACT: M=Mandatory, C=Conditional  
 User specific: R=Required, O=Optional, D=Dependent,  
 A=Advised, N=Not used



Counter	No	Tag	St	MaxOcc	Level	Name
0100		<b>SG2</b>	R	3	1	<b>NAD-LOC</b>
0120	11	<b>LOC</b>	R	1	2	<b>Place/location identification</b>

		Standard	Implementation	
Tag	Name	St Format	St Format	Usage / Remark
LOC				
3227	Place/location qualifier	M an..3	M an..3	<b>11 Place/port of discharge</b>
C517	Location identification	C	R	
3225	Place/location identification	C an..25	R an..25	
1131	Code list qualifier	C an..3	N	Not used
3055	Code list responsible agency, coded	C an..3	N	Not used
3224	Place/location	C an..70	N	Not used
C519	Related location one identification	C	N	
3223	Related place/location one identification	C an..25	N	Not used
1131	Code list qualifier	C an..3	N	Not used
3055	Code list responsible agency, coded	C an..3	N	Not used
3222	Related place/location one	C an..70	N	Not used
C553	Related location two identification	C	N	
3233	Related place/location two identification	C an..25	N	Not used
1131	Code list qualifier	C an..3	N	Not used
3055	Code list responsible agency, coded	C an..3	N	Not used
3232	Related place/location two	C an..70	N	Not used
5479	Relation, coded	C an..3	N	Not used

**Remark:**

**Example:**

LOC+11+1-B12'

No = Consecutive segment number  
 MaxOcc = Maximum occurrence of the segment/group  
 Counter = Counter of segment/group within the standard

St = Status  
 EDIFACT: M=Mandatory, C=Conditional  
 User specific: R=Required, O=Optional, D=Dependent,  
 A=Advised, N=Not used

Counter	No	Tag	St	MaxOcc	Level	Name
0230		<b>SG6</b>	C	1	1	TDT
0240	12	<b>TDT</b>	M	1	1	Details of transport

		Standard	Implementation	
Tag	Name	St Format	St Format	Usage / Remark
TDT				
8051	Transport stage qualifier	M an..3	M an..3	<b>12 At departure</b>
8028	Conveyance reference number	C an..17	N	Not used
C220	Mode of transport	C	C	
8067	Mode of transport, coded	C an..3	C an..3	
8066	Mode of transport	C an..17	C an..17	
C228	Transport means	C	N	
8179	Type of means of transport identification	C an..8	N	Not used
8178	Type of means of transport	C an..17	N	Not used
C040	Carrier	C	N	
3127	Carrier identification	C an..17	N	Not used
1131	Code list qualifier	C an..3	N	Not used
3055	Code list responsible agency, coded	C an..3	N	Not used
3128	Carrier name	C an..35	N	Not used
8101	Transit direction, coded	C an..3	N	Not used
C401	Excess transportation information	C	N	
8457	Excess transportation reason, coded	M an..3	N	Not used
8459	Excess transportation responsibility, coded	M an..3	N	Not used
7130	Customer authorization number	C an..17	N	Not used
C222	Transport identification	C	N	
8213	Id. of means of transport identification	C an..9	N	Not used
1131	Code list qualifier	C an..3	N	Not used
3055	Code list responsible agency, coded	C an..3	N	Not used
8212	Id. of the means of transport	C an..35	N	Not used
8453	Nationality of means of transport, coded	C an..3	N	Not used
8281	Transport ownership, coded	C an..3	N	Not used

**Remark:****Example:**

TDT+12++30:Desc of trp code'

No = Consecutive segment number  
 MaxOcc = Maximum occurrence of the segment/group  
 Counter = Counter of segment/group within the standard

St = Status  
 EDIFACT: M=Mandatory, C=Conditional  
 User specific: R=Required, O=Optional, D=Dependent,  
 A=Advised, N=Not used



Counter	No	Tag	St	MaxOcc	Level	Name
0370		<b>SG10</b>	R	9999	1	<b>CPS-SG11-SG15</b>
0380	13	<b>CPS</b>	M	1	1	<b>Consignment packing sequence</b>

Standard			Implementation	
Tag	Name	St Format	St Format	Usage / Remark
CPS				
7164	Hierarchical id. number	M an..12	M an..12	
7166	Hierarchical parent id.	C an..12	N	Not used
7075	Packaging level, coded	C an..3	N	Not used

**Remark:**

**Example:**

CPS+1'

No = Consecutive segment number  
 MaxOcc = Maximum occurrence of the segment/group  
 Counter = Counter of segment/group within the standard

St = Status  
 EDIFACT: M=Mandatory, C=Conditional  
 User specific: R=Required, O=Optional, D=Dependent,  
 A=Advised, N=Not used



Counter	No	Tag	St	MaxOcc	Level	Name
	0400	<b>SG11</b>	R	9999	2	<b>PAC-QTY-SG13</b>
	0410 14	<b>PAC</b>	M	1	2	<b>Package</b>

		Standard	Implementation	
Tag	Name	St Format	St Format	Usage / Remark
PAC				
7224	Number of packages	C n..8	C n..8	
C531	Packaging details	C	N	
7075	Packaging level, coded	C an..3	N	Not used
7233	Packaging related information, coded	C an..3	N	Not used
7073	Packaging terms and conditions, coded	C an..3	N	Not used
C202	Package type	C	C	
7065	Type of packages identification	C an..17	C an..17	
1131	Code list qualifier	C an..3	N	Not used
3055	Code list responsible agency, coded	C an..3	N	Not used
7064	Type of packages	C an..35	N	Not used
C402	Package type identification	C	N	
7077	Item description type, coded	M an..3	N	Not used
7064	Type of packages	M an..35	N	Not used
7143	Item number type, coded	C an..3	N	Not used
7064	Type of packages	C an..35	N	Not used
7143	Item number type, coded	C an..3	N	Not used
C532	Returnable package details	C	N	
8395	Returnable package freight payment responsibility, coded	C an..3	N	Not used
8393	Returnable package load contents, coded	C an..3	N	Not used

**Remark:**

**Example:**

PAC+1++PALLET'

No = Consecutive segment number  
 MaxOcc = Maximum occurrence of the segment/group  
 Counter = Counter of segment/group within the standard

St = Status  
 EDIFACT: M=Mandatory, C=Conditional  
 User specific: R=Required, O=Optional, D=Dependent,  
 A=Advised, N=Not used





Counter	No	Tag	St	MaxOcc	Level	Name	
	0400	<b>SG11</b>	R	9999	2	<b>PAC-QTY-SG13</b>	
	0430	15	<b>QTY</b>	C	1	3	<b>Quantity</b>

Standard			Implementation	
Tag	Name	St Format	St Format	Usage / Remark
QTY				
C186	Quantity details	M	M	
6063	Quantity qualifier	M an..3	M an..3	<b>52 Quantity per pack</b>
6060	Quantity	M n..15	M n..15	
6411	Measure unit qualifier	C an..3	C an..3	<b>PCE Piece</b>

**Remark:**

**Example:**

QTY+52:25:PCE'

No = Consecutive segment number  
 MaxOcc = Maximum occurrence of the segment/group  
 Counter = Counter of segment/group within the standard

St = Status  
 EDIFACT: M=Mandatory, C=Conditional  
 User specific: R=Required, O=Optional, D=Dependent,  
 A=Advised, N=Not used



Counter	No	Tag	St	MaxOcc	Level	Name
0470		<b>SG13</b>	R	1000	3	<b>PCI-GIR</b>
0480	16	<b>PCI</b>	M	1	3	<b>Package identification</b>

Standard			Implementation	
Tag	Name	St Format	St Format	Usage / Remark
PCI				
4233	Marking instructions, coded	C an..3	C an..3	<b>17 Seller's instructions</b>
C210	Marks & labels	C	N	
7102	Shipping marks	M an..35	N	Not used
7102	Shipping marks	C an..35	N	Not used
7102	Shipping marks	C an..35	N	Not used
7102	Shipping marks	C an..35	N	Not used
7102	Shipping marks	C an..35	N	Not used
7102	Shipping marks	C an..35	N	Not used
7102	Shipping marks	C an..35	N	Not used
7102	Shipping marks	C an..35	N	Not used
7102	Shipping marks	C an..35	N	Not used
7102	Shipping marks	C an..35	N	Not used
8275	Container/package status, coded	C an..3	N	Not used
C827	Type of marking	C	C	
7511	Type of marking, coded	M an..3	M an..3	<b>S Single packages</b>
1131	Code list qualifier	C an..3	N	Not used
3055	Code list responsible agency, coded	C an..3	N	Not used

**Remark:**

**Example:**

PCI+17+++S'

No = Consecutive segment number  
 MaxOcc = Maximum occurrence of the segment/group  
 Counter = Counter of segment/group within the standard

St = Status  
 EDIFACT: M=Mandatory, C=Conditional  
 User specific: R=Required, O=Optional, D=Dependent,  
 A=Advised, N=Not used



Counter	No	Tag	St	MaxOcc	Level	Name
0470		<b>SG13</b>	R	1000	3	<b>PCI-GIR</b>
0510	17	<b>GIR</b>	R	99	4	<b>Related identification numbers</b>

		Standard		Implementation		
Tag	Name	St	Format	St	Format	Usage / Remark
GIR						
7297	Set identification qualifier	M	an..3	M	an..3	<b>3 Package</b>
C206	Identification number	M		M		
7402	Identity number	M	an..35	M	n..9	
7405	Identity number qualifier	C	an..3	N		Not used
4405	Status, coded	C	an..3	N		Not used
C206	Identification number	C		N		
7402	Identity number	M	an..35	N		Not used
7405	Identity number qualifier	C	an..3	N		Not used
4405	Status, coded	C	an..3	N		Not used
C206	Identification number	C		N		
7402	Identity number	M	an..35	N		Not used
7405	Identity number qualifier	C	an..3	N		Not used
4405	Status, coded	C	an..3	N		Not used
C206	Identification number	C		N		
7402	Identity number	M	an..35	N		Not used
7405	Identity number qualifier	C	an..3	N		Not used
4405	Status, coded	C	an..3	N		Not used
C206	Identification number	C		N		
7402	Identity number	M	an..35	N		Not used
7405	Identity number qualifier	C	an..3	N		Not used
4405	Status, coded	C	an..3	N		Not used

**Remark:**

**Example:**

GIR+3+90000025'

No = Consecutive segment number  
 MaxOcc = Maximum occurrence of the segment/group  
 Counter = Counter of segment/group within the standard

St = Status  
 EDIFACT: M=Mandatory, C=Conditional  
 User specific: R=Required, O=Optional, D=Dependent,  
 A=Advised, N=Not used



Counter	No	Tag	St	MaxOcc	Level	Name	
	0550	<b>SG15</b>	C	1	2	LIN-PIA-MEA-QTY-ALI-SG16	
	0560	18	<b>LIN</b>	M	1	2	Line item

		Standard	Implementation	
Tag	Name	St Format	St Format	Usage / Remark
LIN				
1082	Line item number	C n..6	C n..6	
1229	Action request/notification, coded	C an..3	N	Not used
C212	Item number identification	C	C	
7140	Item number	C an..35	C an..35	Customer item number
7143	Item number type, coded	C an..3	N	Not used
1131	Code list qualifier	C an..3	N	Not used
3055	Code list responsible agency, coded	C an..3	N	Not used
C829	Sub-line information	C	N	
5495	Sub-line indicator, coded	C an..3	N	Not used
1082	Line item number	C n..6	N	Not used
1222	Configuration level	C n..2	N	Not used
7083	Configuration, coded	C an..3	N	Not used

**Remark:**

**Example:**

LIN+9++23220 CC/C3W33 '

No = Consecutive segment number  
 MaxOcc = Maximum occurrence of the segment/group  
 Counter = Counter of segment/group within the standard

St = Status  
 EDIFACT: M=Mandatory, C=Conditional  
 User specific: R=Required, O=Optional, D=Dependent,  
 A=Advised, N=Not used



Counter	No	Tag	St	MaxOcc	Level	Name
	0550	<b>SG15</b>	C	1	2	LIN-PIA-MEA-QTY-ALI-SG16
	0570 19	<b>PIA</b>	C	1	3	Additional product id

Standard			Implementation	
Tag	Name	St Format	St Format	Usage / Remark
PIA				
4347	Product id. function qualifier	M an..3	M an..3	<b>1 Additional identification</b>
C212	Item number identification	M	M	
7140	Item number	C an..35	C an..35	
7143	Item number type, coded	C an..3	C an..3	<b>DR Drawing revision number</b>
1131	Code list qualifier	C an..3	N	Not used
3055	Code list responsible agency, coded	C an..3	N	Not used
C212	Item number identification	C	C	
7140	Item number	C an..35	C an..35	
7143	Item number type, coded	C an..3	C an..3	<b>EC Engineering change level</b>
1131	Code list qualifier	C an..3	N	Not used
3055	Code list responsible agency, coded	C an..3	N	Not used
C212	Item number identification	C	C	
7140	Item number	C an..35	C an..35	
7143	Item number type, coded	C an..3	C an..3	<b>NB Batch number</b>
1131	Code list qualifier	C an..3	N	Not used
3055	Code list responsible agency, coded	C an..3	N	Not used
C212	Item number identification	C	N	
7140	Item number	C an..35	N	Not used
7143	Item number type, coded	C an..3	N	Not used
1131	Code list qualifier	C an..3	N	Not used
3055	Code list responsible agency, coded	C an..3	N	Not used
C212	Item number identification	C	N	
7140	Item number	C an..35	N	Not used
7143	Item number type, coded	C an..3	N	Not used
1131	Code list qualifier	C an..3	N	Not used
3055	Code list responsible agency, coded	C an..3	N	Not used

**Remark:**

**Example:**

PIA+1+DR-12345:DR+EC-12345:EC+B1234:NB'

No = Consecutive segment number  
 MaxOcc = Maximum occurrence of the segment/group  
 Counter = Counter of segment/group within the standard

St = Status  
 EDIFACT: M=Mandatory, C=Conditional  
 User specific: R=Required, O=Optional, D=Dependent,  
 A=Advised, N=Not used

Counter	No	Tag	St	MaxOcc	Level	Name	
	0550	<b>SG15</b>	C	1	2	LIN-PIA-MEA-QTY-ALI-SG16	
	0590	20	<b>MEA</b>	C	3	3	Measurements

		Standard	Implementation		
Tag	Name	St Format	St Format	Usage / Remark	
MEA					
6311	Measurement application qualifier	M an..3	M an..3	<b>AAA Line item measurement</b>	
C502	Measurement details	C	C		
6313	Measurement dimension, coded	C an..3	C an..3	<b>GG Gauge</b>	
6321	Measurement significance, coded	C an..3	N	Not used	
6155	Measurement attribute, coded	C an..3	N	Not used	
6154	Measurement attribute	C an..70	N	Not used	
C174	Value/range	C	C		
6411	Measure unit qualifier	M an..3	M an..3	<b>ZZ mutually defined</b>	
6314	Measurement value	C n..18	C n..18	Gauge expressed as a whole number with six digits Leading zeroes can be excluded	
6162	Range minimum	C n..18	N	Not used	
6152	Range maximum	C n..18	N	Not used	
6432	Significant digits	C n..2	N	Not used	
7383	Surface/layer indicator, coded	C an..3	N	Not used	

**Remark:****Example:**

MEA+AAA+GG+ZZ:49980'

No = Consecutive segment number  
 MaxOcc = Maximum occurrence of the segment/group  
 Counter = Counter of segment/group within the standard

St = Status  
 EDIFACT: M=Mandatory, C=Conditional  
 User specific: R=Required, O=Optional, D=Dependent,  
 A=Advised, N=Not used



Counter	No	Tag	St	MaxOcc	Level	Name
	0550	<b>SG15</b>	C	1	2	LIN-PIA-MEA-QTY-ALI-SG16
	0590	21 <b>MEA</b>	C	3	3	Measurements

		Standard	Implementation	
Tag	Name	St Format	St Format	Usage / Remark
MEA				
6311	Measurement application qualifier	M an..3	M an..3	<b>AAA Line item measurement</b>
C502	Measurement details	C	C	
6313	Measurement dimension, coded	C an..3	C an..3	<b>WT Weight</b>
6321	Measurement significance, coded	C an..3	N	Not used
6155	Measurement attribute, coded	C an..3	N	Not used
6154	Measurement attribute	C an..70	N	Not used
C174	Value/range	C	C	
6411	Measure unit qualifier	M an..3	M an..3	<b>KGM Kilogram *</b>
6314	Measurement value	C n..18	C n..18	
6162	Range minimum	C n..18	N	Not used
6152	Range maximum	C n..18	N	Not used
6432	Significant digits	C n..2	N	Not used
7383	Surface/layer indicator, coded	C an..3	N	Not used

**Remark:****Example:**

MEA+AAA+WT+KGM:12.34'

No = Consecutive segment number  
 MaxOcc = Maximum occurrence of the segment/group  
 Counter = Counter of segment/group within the standard

St = Status  
 EDIFACT: M=Mandatory, C=Conditional  
 User specific: R=Required, O=Optional, D=Dependent,  
 A=Advised, N=Not used

Counter	No	Tag	St	MaxOcc	Level	Name
0550		<b>SG15</b>	C	1	2	LIN-PIA-MEA-QTY-ALI-SG16
0590	22	<b>MEA</b>	C	3	3	Measurements

		Standard	Implementation	
Tag	Name	St Format	St Format	Usage / Remark
MEA				
6311	Measurement application qualifier	M an..3	M an..3	<b>AAA Line item measurement</b>
C502	Measurement details	C	C	
6313	Measurement dimension, coded	C an..3	C an..3	<b>ABJ Volume</b>
6321	Measurement significance, coded	C an..3	N	Not used
6155	Measurement attribute, coded	C an..3	N	Not used
6154	Measurement attribute	C an..70	N	Not used
C174	Value/range	C	C	
6411	Measure unit qualifier	M an..3	M an..3	<b>LTR Litre (1 dm3) *</b>
6314	Measurement value	C n..18	C n..18	
6162	Range minimum	C n..18	N	Not used
6152	Range maximum	C n..18	N	Not used
6432	Significant digits	C n..2	N	Not used
7383	Surface/layer indicator, coded	C an..3	N	Not used

**Remark:****Example:**

MEA+AAA+ABJ+LTR:5.678'

No = Consecutive segment number  
 MaxOcc = Maximum occurrence of the segment/group  
 Counter = Counter of segment/group within the standard

St = Status  
 EDIFACT: M=Mandatory, C=Conditional  
 User specific: R=Required, O=Optional, D=Dependent,  
 A=Advised, N=Not used





Counter	No	Tag	St	MaxOcc	Level	Name
	0550	<b>SG15</b>	C	1	2	LIN-PIA-MEA-QTY-ALI-SG16
	0600	23 <b>QTY</b>	C	1	3	Quantity

Standard			Implementation	
Tag	Name	St Format	St Format	Usage / Remark
QTY				
C186	Quantity details	M	M	
6063	Quantity qualifier	M an..3	M an..3	<b>12 Despatch quantity</b>
6060	Quantity	M n..15	M n..15	
6411	Measure unit qualifier	C an..3	C an..3	<b>PCE Piece</b>

**Remark:**

**Example:**

QTY+12:75:PCE'

No = Consecutive segment number  
 MaxOcc = Maximum occurrence of the segment/group  
 Counter = Counter of segment/group within the standard

St = Status  
 EDIFACT: M=Mandatory, C=Conditional  
 User specific: R=Required, O=Optional, D=Dependent,  
 A=Advised, N=Not used



Counter	No	Tag	St	MaxOcc	Level	Name	
	0550	<b>SG15</b>	C	1	2	LIN-PIA-MEA-QTY-ALI-SG16	
	0610	24	<b>ALI</b>	C	1	3	Additional information

Standard			Implementation	
Tag	Name	St Format	St Format	Usage / Remark
ALI				
3239	Country of origin, coded	C an..3	C an..3	
9213	Type of duty regime, coded	C an..3	N	Not used
4183	Special conditions, coded	C an..3	N	Not used
4183	Special conditions, coded	C an..3	N	Not used
4183	Special conditions, coded	C an..3	N	Not used
4183	Special conditions, coded	C an..3	N	Not used
4183	Special conditions, coded	C an..3	N	Not used

**Remark:**

**Example:**

ALI+AD'

No = Consecutive segment number  
 MaxOcc = Maximum occurrence of the segment/group  
 Counter = Counter of segment/group within the standard

St = Status  
 EDIFACT: M=Mandatory, C=Conditional  
 User specific: R=Required, O=Optional, D=Dependent,  
 A=Advised, N=Not used



Counter	No	Tag	St	MaxOcc	Level	Name
0680		<b>SG16</b>	C	3	3	RFF
0690	25	<b>RFF</b>	M	1	3	Reference

Standard			Implementation	
Tag	Name	St Format	St Format	Usage / Remark
RFF				
C506	Reference	M	M	
1153	Reference qualifier	M an..3	M an..3	<b>ON Order number (purchase)</b>
1154	Reference number	C an..35	C an..35	
1156	Line number	C an..6	C an..6	Buyers order line number
4000	Reference version number	C an..35	C an..35	Buyers order line split letter

**Remark:**

**Example:**

RFF+ON:K012345:001:A'

No = Consecutive segment number  
 MaxOcc = Maximum occurrence of the segment/group  
 Counter = Counter of segment/group within the standard

St = Status  
 EDIFACT: M=Mandatory, C=Conditional  
 User specific: R=Required, O=Optional, D=Dependent,  
 A=Advised, N=Not used



Counter	No	Tag	St	MaxOcc	Level	Name
0680		<b>SG16</b>	C	3	3	RFF
0690	26	<b>RFF</b>	M	1	3	Reference

Standard			Implementation	
Tag	Name	St Format	St Format	Usage / Remark
RFF				
C506	Reference	M	M	
1153	Reference qualifier	M an..3	M an..3	Suppliers order number <b>VN Order number (vendor)</b>
1154	Reference number	C an..35	C an..35	Supplier's order number
1156	Line number	C an..6	C an..6	
4000	Reference version number	C an..35	C an..35	

**Remark:**

**Example:**

RFF+VN:SU OrdNo:001:A'

No = Consecutive segment number  
 MaxOcc = Maximum occurrence of the segment/group  
 Counter = Counter of segment/group within the standard

St = Status  
 EDIFACT: M=Mandatory, C=Conditional  
 User specific: R=Required, O=Optional, D=Dependent,  
 A=Advised, N=Not used



Counter	No	Tag	St	MaxOcc	Level	Name
0680		<b>SG16</b>	C	3	3	<b>RFF</b>
0690	27	<b>RFF</b>	M	1	3	<b>Reference</b>

Standard			Implementation	
Tag	Name	St Format	St Format	Usage / Remark
RFF				
C506	Reference	M	M	
1153	Reference qualifier	M an..3	M an..3	<b>CT Contract number</b>
1154	Reference number	C an..35	C an..35	Contract Number / Agreement Number
1156	Line number	C an..6	N	Not used
4000	Reference version number	C an..35	N	Not used

**Remark:**

**Example:**

RFF+CT:M1C123001'

No = Consecutive segment number  
 MaxOcc = Maximum occurrence of the segment/group  
 Counter = Counter of segment/group within the standard

St = Status  
 EDIFACT: M=Mandatory, C=Conditional  
 User specific: R=Required, O=Optional, D=Dependent,  
 A=Advised, N=Not used



Counter	No	Tag	St	MaxOcc	Level	Name
---------	----	-----	----	--------	-------	------

0990	28	<b>UNT</b>	M	1	0	MESSAGE TRAILER
------	----	------------	---	---	---	-----------------

		Standard	Implementation	
Tag	Name	St Format	St Format	Usage / Remark
UNT				
0074	Number of segments in a message	M n..6	M n..6	Number of segments in the message (UNH and UNT incl)
0062	Message reference number	M an..14	M an..14	This number must be equal the value of UNH_0062

**Remark:**

**Example:**

UNT+28+468530'

No = Consecutive segment number  
 MaxOcc = Maximum occurrence of the segment/group  
 Counter = Counter of segment/group within the standard

St = Status  
 EDIFACT: M=Mandatory, C=Conditional  
 User specific: R=Required, O=Optional, D=Dependent,  
 A=Advised, N=Not used