



Message Implementation Guideline

SKF Purchase Delivery Schedule D96A 1.1

based on

DELFOR

Delivery schedule message

UN D.96A S3

Issue date: 2013-11-04

Author: Inger Nilsson, HP

1 Message Structure.....	2
2 Branching Diagram	3
3 Segments	8



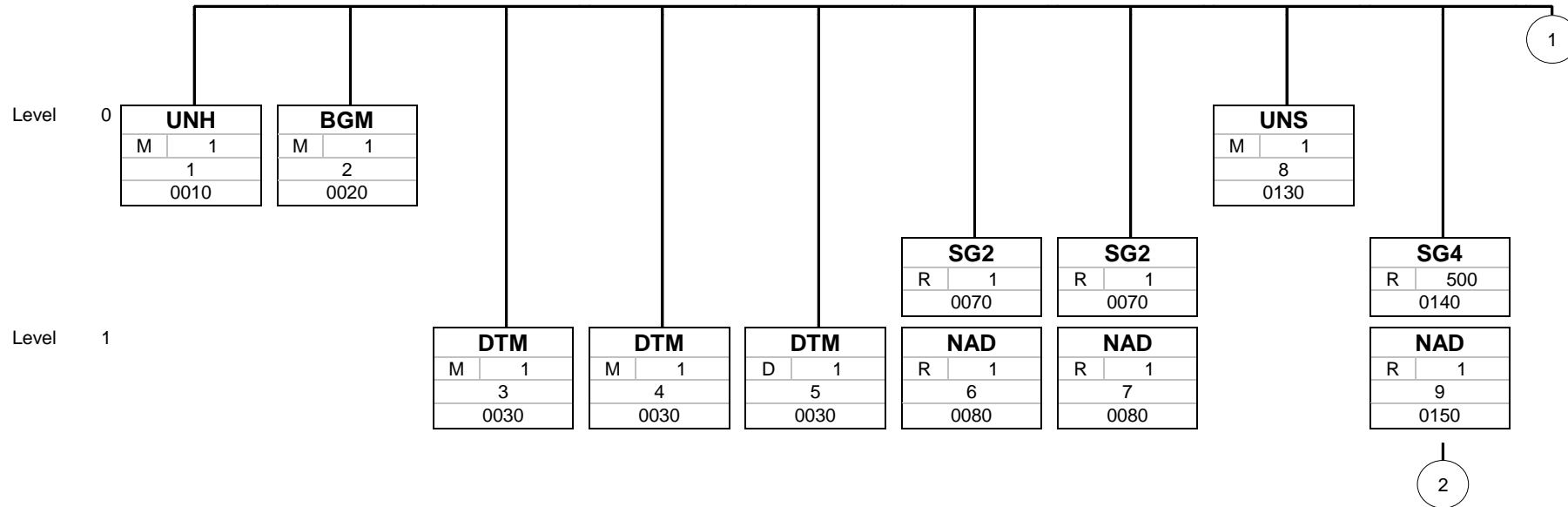
Structure / Table of Contents

Counter	No	Tag	St	MaxOcc	Level	Content
0010	1	UNH	M	1	0	MESSAGE HEADER
0020	2	BGM	M	1	0	Beginning of message
0030	3	DTM	M	1	1	Date/time/period
0030	4	DTM	M	1	1	Date/time/period
0030	5	DTM	D	1	1	Date/time/period
0070		SG2	R	1	1	NAD
0080	6	NAD	R	1	1	Name and address
0070		SG2	R	1	1	NAD
0080	7	NAD	R	1	1	Name and address
0130	8	UNS	M	1	0	SECTION CONTROL
0140		SG4	R	500	1	NAD-SG8
0150	9	NAD	R	1	1	Name and address
0270		SG8	R	9999	2	LIN-PIA-PIA-PIA-IMD-MEA-LOC-LOC-SG10-SG12-SG12
0280	10	LIN	M	1	2	Line item
0290	11	PIA	C	10	3	Additional product id
0290	12	PIA	C	10	3	Additional product id
0290	13	PIA	C	10	3	Additional product id
0300	14	IMD	C	1	3	Item description
0310	15	MEA	C	5	3	Measurements
0350	16	LOC	R	1	3	Place/location identification
0350	17	LOC	R	100	3	Place/location identification
0410		SG10	C	10	3	RFF
0420	18	RFF	M	1	3	Reference
0470		SG12	C	200	3	QTY-SG13
0480	19	QTY	M	1	3	Quantity
0510		SG13	C	10	4	RFF-DTM
0520	20	RFF	M	1	4	Reference
0530	21	DTM	C	1	5	Date/time/period
0470		SG12	R	200	3	QTY-SCC-DTM-SG13
0480	22	QTY	M	1	3	Quantity
0490	23	SCC	C	1	4	Scheduling conditions
0500	24	DTM	C	2	4	Date/time/period
0510		SG13	C	1	4	RFF
0520	25	RFF	M	1	4	Reference
1220	26	UNS	M	1	0	SECTION CONTROL
1250	27	UNT	M	1	0	MESSAGE TRAILER

Counter = Counter of segment/group within the standard
 No = Consecutive segment number
 MaxOcc = Maximum occurrence of the segment/group

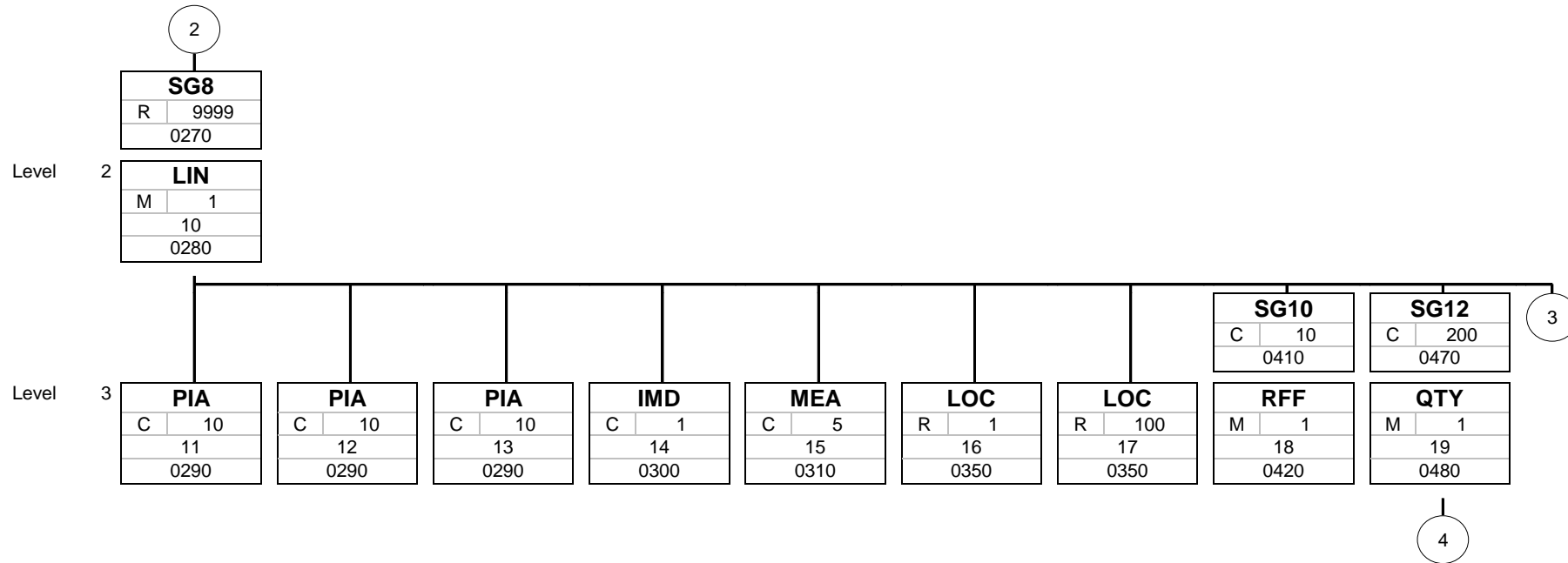
St = Status
 EDIFACT: M=Mandatory, C=Conditional
 User specific: R=Required, O=Optional, D=Dependent,
 A=Advised, N=Not used

Branching Diagram of Used Segments/Groups



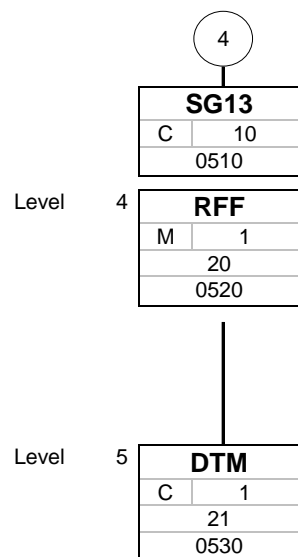
Tag
St MaxOcc
No
Counter

Tag = Segment/Group Tag
 St = Status (M=Mandatory, C=Conditional, R=Required, O=Optional, A=Advised, D=Dependent)
 MaxOcc = Maximum occurrence of the segment/group
 No = Consecutive segment number
 Counter = Counter of segment/group within the standard



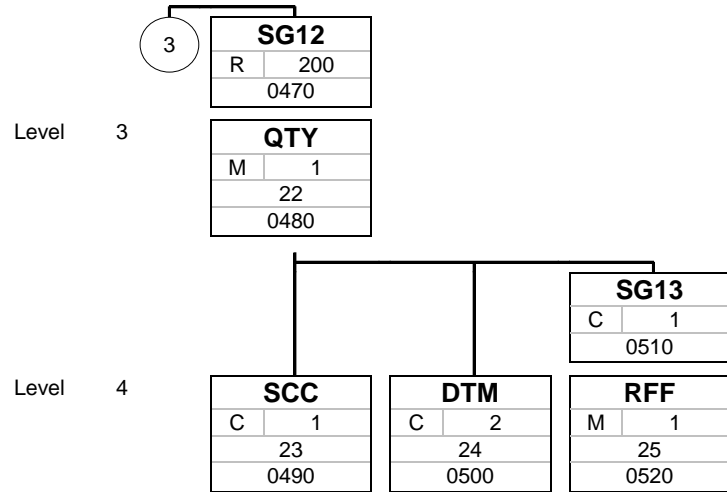
Tag
St MaxOcc
No
Counter

Tag = Segment/Group Tag
 St = Status (M=Mandatory, C=Conditional, R=Required, O=Optional, A=Advised, D=Dependent)
 MaxOcc = Maximum occurrence of the segment/group
 No = Consecutive segment number
 Counter = Counter of segment/group within the standard



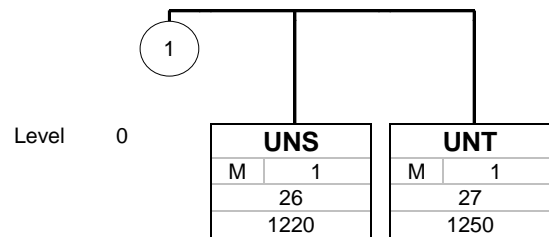
Tag
St MaxOcc
No
Counter

Tag = Segment/Group Tag
 St = Status (M=Mandatory, C=Conditional, R=Required, O=Optional, A=Advised, D=Dependent)
 MaxOcc = Maximum occurrence of the segment/group
 No = Consecutive segment number
 Counter = Counter of segment/group within the standard



Tag
St MaxOcc
No
Counter

Tag = Segment/Group Tag
 St = Status (M=Mandatory, C=Conditional, R=Required, O=Optional, A=Advised, D=Dependent)
 MaxOcc = Maximum occurrence of the segment/group
 No = Consecutive segment number
 Counter = Counter of segment/group within the standard



Tag
St MaxOcc
No
Counter

Tag = Segment/Group Tag
 St = Status (M=Mandatory, C=Conditional, R=Required, O=Optional, A=Advised, D=Dependent)
 MaxOcc = Maximum occurrence of the segment/group
 No = Consecutive segment number
 Counter = Counter of segment/group within the standard



Segments

Counter	No	Tag	St	MaxOcc	Level	Name
0010	1	UNH	M	1	0	MESSAGE HEADER

		Standard	Implementation	
Tag	Name	St Format	St Format	Usage / Remark
UNH				
0062	Message reference number	M an..14	M an..14	
S009	MESSAGE IDENTIFIER	M	M	
0065	Message type identifier	M an..6	M an..6	DELFOR Delivery schedule message
0052	Message type version number	M an..3	M an..3	
0054	Message type release number	M an..3	M an..3	96A Version 96A
0051	Controlling agency	M an..2	M an..2	UN UN/ECE/TRADE/WP.4, United Nations Standard Messages (UNSM)
0057	Association assigned code	C an..6	N	Not used
0068	Common access reference	C an..35	N	Not used
S010	STATUS OF THE TRANSFER	C	N	
0070	Sequence message transfer number	M n..2	N	Not used
0073	First/last sequence message transfer indication	C a1	N	Not used

Remark:

Example:

UNH+1144295+DELFOR:D:96A:UN'

No = Consecutive segment number
 MaxOcc = Maximum occurrence of the segment/group
 Counter = Counter of segment/group within the standard

St = Status
 EDIFACT: M=Mandatory, C=Conditional
 User specific: R=Required, O=Optional, D=Dependent,
 A=Advised, N=Not used



Counter	No	Tag	St	MaxOcc	Level	Name
---------	----	-----	----	--------	-------	------

0020 2 **BGM** M 1 0 **Beginning of message**

Standard			Implementation	
Tag	Name	St Format	St Format	Usage / Remark
BGM				
C002	Document/message name	C	C	
1001	Document/message name, coded	C an..3	C an..3	241 Delivery schedule
1131	Code list qualifier	C an..3	N	Not used
3055	Code list responsible agency, coded	C an..3	N	Not used
1000	Document/message name	C an..35	N	Not used
1004	Document/message number	C an..35	C an..35	
1225	Message function, coded	C an..3	C an..3	5 Replace 9 Original
4343	Response type, coded	C an..3	N	Not used

Remark:

Example:

BGM+241+200103010118+9'

No = Consecutive segment number
 MaxOcc = Maximum occurrence of the segment/group
 Counter = Counter of segment/group within the standard

St = Status
 EDIFACT: M=Mandatory, C=Conditional
 User specific: R=Required, O=Optional, D=Dependent,
 A=Advised, N=Not used



Counter	No	Tag	St	MaxOcc	Level	Name
---------	----	-----	----	--------	-------	------

0030 3 **DTM** M 1 1 Date/time/period

Standard			Implementation	
Tag	Name	St Format	St Format	Usage / Remark
DTM				
C507	Date/time/period	M	M	
2005	Date/time/period qualifier	M an..3	M an..3	137 Document/message date/time
2380	Date/time/period	C an..35	C an..35	
2379	Date/time/period format qualifier	C an..3	C an..3	102 CCYYMMDD 203 CCYYMMDDHHMM

Remark:

Example:

DTM+137:201101011312:203'

No = Consecutive segment number
 MaxOcc = Maximum occurrence of the segment/group
 Counter = Counter of segment/group within the standard

St = Status
 EDIFACT: M=Mandatory, C=Conditional
 User specific: R=Required, O=Optional, D=Dependent,
 A=Advised, N=Not used



Counter	No	Tag	St	MaxOcc	Level	Name
---------	----	-----	----	--------	-------	------

0030	4	DTM	M	1	1	Date/time/period
------	---	------------	---	---	---	------------------

		Standard	Implementation	
Tag	Name	St Format	St Format	Usage / Remark
DTM				
C507	Date/time/period	M	M	
2005	Date/time/period qualifier	M an..3	M an..3	157 Validity start date
2380	Date/time/period	C an..35	C an..35	
2379	Date/time/period format qualifier	C an..3	C an..3	102 CCYYMMDD 203 CCYYMMDDHHMM

Remark:

R

Example:

DTM+157:20111215:102'

No = Consecutive segment number
 MaxOcc = Maximum occurrence of the segment/group
 Counter = Counter of segment/group within the standard

St = Status
 EDIFACT: M=Mandatory, C=Conditional
 User specific: R=Required, O=Optional, D=Dependent,
 A=Advised, N=Not used



Counter	No	Tag	St	MaxOcc	Level	Name
---------	----	-----	----	--------	-------	------

0030 5 **DTM** D 1 1 Date/time/period

		Standard	Implementation	
Tag	Name	St Format	St Format	Usage / Remark
DTM				
C507	Date/time/period	M	M	
2005	Date/time/period qualifier	M an..3	M an..3	36 Expiry date
2380	Date/time/period	C an..35	C an..35	
2379	Date/time/period format qualifier	C an..3	C an..3	102 CCYYMMDD 203 CCYYMMDDHHMM

Remark:

Example:

DTM+36:20121215:102'

No = Consecutive segment number
 MaxOcc = Maximum occurrence of the segment/group
 Counter = Counter of segment/group within the standard

St = Status
 EDIFACT: M=Mandatory, C=Conditional
 User specific: R=Required, O=Optional, D=Dependent,
 A=Advised, N=Not used



Counter	No	Tag	St	MaxOcc	Level	Name
	0070	SG2	R	1	1	NAD
	0080	NAD	R	1	1	Name and address

Standard			Implementation	
Tag	Name	St Format	St Format	Usage / Remark
NAD				
3035	Party qualifier	M an..3	M an..3	BY Buyer
C082	Party identification details	C	C	
3039	Party id. identification	M an..35	M an..17	
1131	Code list qualifier	C an..3	N	Not used
3055	Code list responsible agency, coded	C an..3	C an..3	92 Assigned by buyer or buyer's agent
C058	Name and address	C	N	
3124	Name and address line	M an..35	N	Not used
3124	Name and address line	C an..35	N	Not used
3124	Name and address line	C an..35	N	Not used
3124	Name and address line	C an..35	N	Not used
3124	Name and address line	C an..35	N	Not used
C080	Party name	C	N	
3036	Party name	M an..35	N	Not used
3036	Party name	C an..35	N	Not used
3036	Party name	C an..35	N	Not used
3036	Party name	C an..35	N	Not used
3036	Party name	C an..35	N	Not used
3045	Party name format, coded	C an..3	N	Not used
C059	Street	C	N	
3042	Street and number/p.o. box	M an..35	N	Not used
3042	Street and number/p.o. box	C an..35	N	Not used
3042	Street and number/p.o. box	C an..35	N	Not used
3042	Street and number/p.o. box	C an..35	N	Not used
3164	City name	C an..35	N	Not used
3229	Country sub-entity identification	C an..9	N	Not used
3251	Postcode identification	C an..9	N	Not used
3207	Country, coded	C an..3	N	Not used

Remark:

Example:

NAD+BY+BY PartyId::92'

No = Consecutive segment number
 MaxOcc = Maximum occurrence of the segment/group
 Counter = Counter of segment/group within the standard

St = Status
 EDIFACT: M=Mandatory, C=Conditional
 User specific: R=Required, O=Optional, D=Dependent,
 A=Advised, N=Not used



Counter	No	Tag	St	MaxOcc	Level	Name
	0070	SG2	R	1	1	NAD
	0080	NAD	R	1	1	Name and address

		Standard	Implementation	
Tag	Name	St Format	St Format	Usage / Remark
NAD				
3035	Party qualifier	M an..3	M an..3	SE Seller
C082	Party identification details	C	C	
3039	Party id. identification	M an..35	M an..17	
1131	Code list qualifier	C an..3	N	Not used
3055	Code list responsible agency, coded	C an..3	C an..3	92 Assigned by buyer or buyer's agent
C058	Name and address	C	N	
3124	Name and address line	M an..35	N	Not used
3124	Name and address line	C an..35	N	Not used
3124	Name and address line	C an..35	N	Not used
3124	Name and address line	C an..35	N	Not used
3124	Name and address line	C an..35	N	Not used
C080	Party name	C	N	
3036	Party name	M an..35	N	Not used
3036	Party name	C an..35	N	Not used
3036	Party name	C an..35	N	Not used
3036	Party name	C an..35	N	Not used
3036	Party name	C an..35	N	Not used
3045	Party name format, coded	C an..3	N	Not used
C059	Street	C	N	
3042	Street and number/p.o. box	M an..35	N	Not used
3042	Street and number/p.o. box	C an..35	N	Not used
3042	Street and number/p.o. box	C an..35	N	Not used
3042	Street and number/p.o. box	C an..35	N	Not used
3164	City name	C an..35	N	Not used
3229	Country sub-entity identification	C an..9	N	Not used
3251	Postcode identification	C an..9	N	Not used
3207	Country, coded	C an..3	N	Not used

Remark:**Example:**

NAD+SE+USA0713X:::92'

No = Consecutive segment number
 MaxOcc = Maximum occurrence of the segment/group
 Counter = Counter of segment/group within the standard

St = Status
 EDIFACT: M=Mandatory, C=Conditional
 User specific: R=Required, O=Optional, D=Dependent,
 A=Advised, N=Not used



Counter	No	Tag	St	MaxOcc	Level	Name
---------	----	-----	----	--------	-------	------

0130	8	UNS	M	1	0	SECTION CONTROL
------	---	------------	---	---	---	-----------------

Standard			Implementation	
Tag	Name	St Format	St Format	Usage / Remark
UNS				
0081	Section identification	M a1	M a1	D Header/detail section separation

Remark:

Example:

UNS+D'

No = Consecutive segment number
 MaxOcc = Maximum occurrence of the segment/group
 Counter = Counter of segment/group within the standard

St = Status
 EDIFACT: M=Mandatory, C=Conditional
 User specific: R=Required, O=Optional, D=Dependent,
 A=Advised, N=Not used



Counter	No	Tag	St	MaxOcc	Level	Name
	0140	SG4	R	500	1	NAD-SG8
	0150	NAD	R	1	1	Name and address

Standard			Implementation	
Tag	Name	St Format	St Format	Usage / Remark
NAD				
3035	Party qualifier	M an..3	M an..3	CN Consignee
C082	Party identification details	C	C	
3039	Party id. identification	M an..35	M an..17	
1131	Code list qualifier	C an..3	N	Not used
3055	Code list responsible agency, coded	C an..3	C an..3	92 Assigned by buyer or buyer's agent
C058	Name and address	C	N	
3124	Name and address line	M an..35	N	Not used
3124	Name and address line	C an..35	N	Not used
3124	Name and address line	C an..35	N	Not used
3124	Name and address line	C an..35	N	Not used
3124	Name and address line	C an..35	N	Not used
C080	Party name	C	C	
3036	Party name	M an..35	M an..35	
3036	Party name	C an..35	N	Not used
3036	Party name	C an..35	N	Not used
3036	Party name	C an..35	N	Not used
3036	Party name	C an..35	N	Not used
3045	Party name format, coded	C an..3	N	Not used
C059	Street	C	C	
3042	Street and number/p.o. box	M an..35	M an..35	
3042	Street and number/p.o. box	C an..35	C an..35	
3042	Street and number/p.o. box	C an..35	C an..35	
3042	Street and number/p.o. box	C an..35	C an..35	
3164	City name	C an..35	N	Not used
3229	Country sub-entity identification	C an..9	C an..9	
3251	Postcode identification	C an..9	C an..9	
3207	Country, coded	C an..3	C an..3	

Remark:

Deliver Party is where the the gods shall be delivered. (Ship to)

Example:

NAD+CN+XYZ123::92++Consignee Name+Street 1:Street 2:PO Box:City++CD+723000+BE'

No = Consecutive segment number
 MaxOcc = Maximum occurrence of the segment/group
 Counter = Counter of segment/group within the standard

St = Status
 EDIFACT: M=Mandatory, C=Conditional
 User specific: R=Required, O=Optional, D=Dependent,
 A=Advised, N=Not used



Counter	No	Tag	St	MaxOcc	Level	Name	
	0270	SG8	R	9999	2	LIN-PIA-IMD-MEA-LOC-SG10-SG12	
	0280	10	LIN	M	1	2	Line item

Standard			Implementation	
Tag	Name	St Format	St Format	Usage / Remark
LIN				
1082	Line item number	C n..6	C n..6	
1229	Action request/notification, coded	C an..3	C an..3	3 Changed
C212	Item number identification	C	C	
7140	Item number	C an..35	C an..35	Customer item Id/number
7143	Item number type, coded	C an..3	C an..3	IN Buyer's item number
1131	Code list qualifier	C an..3	N	Not used
3055	Code list responsible agency, coded	C an..3	N	Not used
C829	Sub-line information	C	N	
5495	Sub-line indicator, coded	C an..3	N	Not used
1082	Line item number	C n..6	N	Not used
1222	Configuration level	C n..2	N	Not used
7083	Configuration, coded	C an..3	N	Not used

Remark:

Example:

LIN+1+3+KJH 888:IN'

No = Consecutive segment number
 MaxOcc = Maximum occurrence of the segment/group
 Counter = Counter of segment/group within the standard

St = Status
 EDIFACT: M=Mandatory, C=Conditional
 User specific: R=Required, O=Optional, D=Dependent,
 A=Advised, N=Not used



Counter	No	Tag	St	MaxOcc	Level	Name
	0270	SG8	R	9999	2	LIN-PIA-IMD-MEA-LOC-SG10-SG12
	0290	PIA	C	10	3	Additional product id

Standard			Implementation	
Tag	Name	St Format	St Format	Usage / Remark
PIA				
4347	Product id. function qualifier	M an..3	M an..3	1 Additional identification
C212	Item number identification	M	M	
7140	Item number	C an..35	C an..35	Drawing revision number
7143	Item number type, coded	C an..3	C an..3	DR Drawing revision number
1131	Code list qualifier	C an..3	N	Not used
3055	Code list responsible agency, coded	C an..3	N	Not used
C212	Item number identification	C	N	
7140	Item number	C an..35	N	Not used
7143	Item number type, coded	C an..3	N	Not used
1131	Code list qualifier	C an..3	N	Not used
3055	Code list responsible agency, coded	C an..3	N	Not used
C212	Item number identification	C	N	
7140	Item number	C an..35	N	Not used
7143	Item number type, coded	C an..3	N	Not used
1131	Code list qualifier	C an..3	N	Not used
3055	Code list responsible agency, coded	C an..3	N	Not used
C212	Item number identification	C	N	
7140	Item number	C an..35	N	Not used
7143	Item number type, coded	C an..3	N	Not used
1131	Code list qualifier	C an..3	N	Not used
3055	Code list responsible agency, coded	C an..3	N	Not used

Remark:

Example:

PIA+1+Drawing Revision Number:DR'

No = Consecutive segment number
 MaxOcc = Maximum occurrence of the segment/group
 Counter = Counter of segment/group within the standard

St = Status
 EDIFACT: M=Mandatory, C=Conditional
 User specific: R=Required, O=Optional, D=Dependent,
 A=Advised, N=Not used



Counter	No	Tag	St	MaxOcc	Level	Name
	0270	SG8	R	9999	2	LIN-PIA-IMD-MEA-LOC-SG10-SG12
	0290	PIA	C	10	3	Additional product id

Standard			Implementation	
Tag	Name	St Format	St Format	Usage / Remark
PIA				
4347	Product id. function qualifier	M an..3	M an..3	1 Additional identification
C212	Item number identification	M	M	
7140	Item number	C an..35	C an..35	
7143	Item number type, coded	C an..3	C an..3	VN Vendor item number
1131	Code list qualifier	C an..3	N	Not used
3055	Code list responsible agency, coded	C an..3	N	Not used
C212	Item number identification	C	N	
7140	Item number	C an..35	N	Not used
7143	Item number type, coded	C an..3	N	Not used
1131	Code list qualifier	C an..3	N	Not used
3055	Code list responsible agency, coded	C an..3	N	Not used
C212	Item number identification	C	N	
7140	Item number	C an..35	N	Not used
7143	Item number type, coded	C an..3	N	Not used
1131	Code list qualifier	C an..3	N	Not used
3055	Code list responsible agency, coded	C an..3	N	Not used
C212	Item number identification	C	N	
7140	Item number	C an..35	N	Not used
7143	Item number type, coded	C an..3	N	Not used
1131	Code list qualifier	C an..3	N	Not used
3055	Code list responsible agency, coded	C an..3	N	Not used

Remark:

Example:

PIA+1+SU Product Designation:VN'

No = Consecutive segment number
 MaxOcc = Maximum occurrence of the segment/group
 Counter = Counter of segment/group within the standard

St = Status
 EDIFACT: M=Mandatory, C=Conditional
 User specific: R=Required, O=Optional, D=Dependent,
 A=Advised, N=Not used



Counter	No	Tag	St	MaxOcc	Level	Name
	0270	SG8	R	9999	2	LIN-PIA-IMD-MEA-LOC-SG10-SG12
	0290	PIA	C	10	3	Additional product id

Standard			Implementation	
Tag	Name	St Format	St Format	Usage / Remark
PIA				
4347	Product id. function qualifier	M an..3	M an..3	1 Additional identification
C212	Item number identification	M	M	
7140	Item number	C an..35	C an..35	
7143	Item number type, coded	C an..3	C an..3	EC Engineering change level
1131	Code list qualifier	C an..3	N	Not used
3055	Code list responsible agency, coded	C an..3	N	Not used
C212	Item number identification	C	N	
7140	Item number	C an..35	N	Not used
7143	Item number type, coded	C an..3	N	Not used
1131	Code list qualifier	C an..3	N	Not used
3055	Code list responsible agency, coded	C an..3	N	Not used
C212	Item number identification	C	N	
7140	Item number	C an..35	N	Not used
7143	Item number type, coded	C an..3	N	Not used
1131	Code list qualifier	C an..3	N	Not used
3055	Code list responsible agency, coded	C an..3	N	Not used
C212	Item number identification	C	N	
7140	Item number	C an..35	N	Not used
7143	Item number type, coded	C an..3	N	Not used
1131	Code list qualifier	C an..3	N	Not used
3055	Code list responsible agency, coded	C an..3	N	Not used

Remark:

Example:

PIA+1+Item Eng Chg No:EC'

No = Consecutive segment number
 MaxOcc = Maximum occurrence of the segment/group
 Counter = Counter of segment/group within the standard

St = Status
 EDIFACT: M=Mandatory, C=Conditional
 User specific: R=Required, O=Optional, D=Dependent,
 A=Advised, N=Not used



Counter	No	Tag	St	MaxOcc	Level	Name	
	0270	SG8	R	9999	2	LIN-PIA-IMD-MEA-LOC-SG10-SG12	
	0300	14	IMD	C	1	3	Item description

Standard			Implementation	
Tag	Name	St Format	St Format	Usage / Remark
IMD				
7077	Item description type, coded	C an..3	N	Not used
7081	Item characteristic, coded	C an..3	N	Not used
C273	Item description	C	C	
7009	Item description identification	C an..17	N	Not used
1131	Code list qualifier	C an..3	N	Not used
3055	Code list responsible agency, coded	C an..3	N	Not used
7008	Item description	C an..35	C an..35	Customer item description
7008	Item description	C an..35	N	Not used
3453	Language, coded	C an..3	N	Not used
7383	Surface/layer indicator, coded	C an..3	N	Not used

Remark:

Example:

IMD+++:::Product Description'

No = Consecutive segment number
 MaxOcc = Maximum occurrence of the segment/group
 Counter = Counter of segment/group within the standard

St = Status
 EDIFACT: M=Mandatory, C=Conditional
 User specific: R=Required, O=Optional, D=Dependent,
 A=Advised, N=Not used



Counter	No	Tag	St	MaxOcc	Level	Name
	0270	SG8	R	9999	2	LIN-PIA-IMD-MEA-LOC-SG10-SG12
	0310	MEA	C	5	3	Measurements

		Standard	Implementation	
Tag	Name	St Format	St Format	Usage / Remark
MEA				
6311	Measurement application qualifier	M an..3	M an..3	
C502	Measurement details	C	C	
6313	Measurement dimension, coded	C an..3	C an..3	GG Gauge
6321	Measurement significance, coded	C an..3	N	Not used
6155	Measurement attribute, coded	C an..3	N	Not used
6154	Measurement attribute	C an..70	N	Not used
C174	Value/range	C	C	
6411	Measure unit qualifier	M an..3	M an..3	
6314	Measurement value	C n..18	C n..18	Gauge expressed as a whole number with six digits. A leading zero is excluded
6162	Range minimum	C n..18	N	Not used
6152	Range maximum	C n..18	N	Not used
6432	Significant digits	C n..2	N	Not used
7383	Surface/layer indicator, coded	C an..3	N	Not used

Remark:

Example:

MEA+AAA+GG+ZZ : 49980 '

No = Consecutive segment number
 MaxOcc = Maximum occurrence of the segment/group
 Counter = Counter of segment/group within the standard

St = Status
 EDIFACT: M=Mandatory, C=Conditional
 User specific: R=Required, O=Optional, D=Dependent,
 A=Advised, N=Not used



Counter	No	Tag	St	MaxOcc	Level	Name
	0270	SG8	R	9999	2	LIN-PIA-IMD-MEA-LOC-SG10-SG12
	0350	LOC	R	1	3	Place/location identification

		Standard	Implementation	
Tag	Name	St Format	St Format	Usage / Remark
LOC				
3227	Place/location qualifier	M an..3	R an..3	11 Place/port of discharge
C517	Location identification	C	C	
3225	Place/location identification	C an..25	C an..17	
1131	Code list qualifier	C an..3	N	Not used
3055	Code list responsible agency, coded	C an..3	N	Not used
3224	Place/location	C an..70	N	Not used
C519	Related location one identification	C	N	
3223	Related place/location one identification	C an..25	N	Not used
1131	Code list qualifier	C an..3	N	Not used
3055	Code list responsible agency, coded	C an..3	N	Not used
3222	Related place/location one	C an..70	N	Not used
C553	Related location two identification	C	N	
3233	Related place/location two identification	C an..25	N	Not used
1131	Code list qualifier	C an..3	N	Not used
3055	Code list responsible agency, coded	C an..3	N	Not used
3232	Related place/location two	C an..70	N	Not used
5479	Relation, coded	C an..3	N	Not used

Remark:

Example:

LOC+11+GATE2'

No = Consecutive segment number
 MaxOcc = Maximum occurrence of the segment/group
 Counter = Counter of segment/group within the standard

St = Status
 EDIFACT: M=Mandatory, C=Conditional
 User specific: R=Required, O=Optional, D=Dependent,
 A=Advised, N=Not used



Counter	No	Tag	St	MaxOcc	Level	Name	
	0270	SG8	R	9999	2	LIN-PIA-IMD-MEA-LOC-SG10-SG12	
	0350	17	LOC	R	100	3	Place/location identification

		Standard		Implementation		
Tag	Name	St	Format	St	Format	Usage / Remark
LOC						
3227	Place/location qualifier	M	an..3	M	an..3	159 Additional internal destination
C517	Location identification	C		C		
3225	Place/location identification	C	an..25	C	an..17	
1131	Code list qualifier	C	an..3	N		Not used
3055	Code list responsible agency, coded	C	an..3	N		Not used
3224	Place/location	C	an..70	N		Not used
C519	Related location one identification	C		N		
3223	Related place/location one identification	C	an..25	N		Not used
1131	Code list qualifier	C	an..3	N		Not used
3055	Code list responsible agency, coded	C	an..3	N		Not used
3222	Related place/location one	C	an..70	N		Not used
C553	Related location two identification	C		N		
3233	Related place/location two identification	C	an..25	N		Not used
1131	Code list qualifier	C	an..3	N		Not used
3055	Code list responsible agency, coded	C	an..3	N		Not used
3232	Related place/location two	C	an..70	N		Not used
5479	Relation, coded	C	an..3	N		Not used

Remark:

Example:

LOC+159+CH02'

No = Consecutive segment number
 MaxOcc = Maximum occurrence of the segment/group
 Counter = Counter of segment/group within the standard

St = Status
 EDIFACT: M=Mandatory, C=Conditional
 User specific: R=Required, O=Optional, D=Dependent,
 A=Advised, N=Not used



Counter	No	Tag	St	MaxOcc	Level	Name
0410		SG10	C	10	3	RFF
0420	18	RFF	M	1	3	Reference

Standard			Implementation	
Tag	Name	St Format	St Format	Usage / Remark
RFF				
C506	Reference	M	M	
1153	Reference qualifier	M an..3	M an..3	ON Order number (purchase)
1154	Reference number	C an..35	C an..35	
1156	Line number	C an..6	N	Not used
4000	Reference version number	C an..35	N	Not used

Remark:

Example:

RFF+ON:CO415291'

No = Consecutive segment number
 MaxOcc = Maximum occurrence of the segment/group
 Counter = Counter of segment/group within the standard

St = Status
 EDIFACT: M=Mandatory, C=Conditional
 User specific: R=Required, O=Optional, D=Dependent,
 A=Advised, N=Not used



Counter	No	Tag	St	MaxOcc	Level	Name
0470		SG12	C	200	3	QTY-SG13
0480	19	QTY	M	1	3	Quantity

Standard			Implementation	
Tag	Name	St Format	St Format	Usage / Remark
QTY				
C186	Quantity details	M	M	
6063	Quantity qualifier	M an..3	M an..3	48 Received quantity
6060	Quantity	M n..15	M n..15	
6411	Measure unit qualifier	C an..3	C an..3	PCE Piece

Remark:

Example:

QTY+48:210:PCE'

No = Consecutive segment number
 MaxOcc = Maximum occurrence of the segment/group
 Counter = Counter of segment/group within the standard

St = Status
 EDIFACT: M=Mandatory, C=Conditional
 User specific: R=Required, O=Optional, D=Dependent,
 A=Advised, N=Not used



Counter	No	Tag	St	MaxOcc	Level	Name
0510		SG13	C	10	4	RFF-DTM
0520	20	RFF	M	1	4	Reference

Standard			Implementation	
Tag	Name	St Format	St Format	Usage / Remark
RFF				
C506	Reference	M	M	
1153	Reference qualifier	M an..3	M an..3	AAK Despatch advice number
1154	Reference number	C an..35	C an..35	
1156	Line number	C an..6	N	Not used
4000	Reference version number	C an..35	N	Not used

Remark:

Example:

RFF+AAK:101101-25'

No = Consecutive segment number
 MaxOcc = Maximum occurrence of the segment/group
 Counter = Counter of segment/group within the standard

St = Status
 EDIFACT: M=Mandatory, C=Conditional
 User specific: R=Required, O=Optional, D=Dependent,
 A=Advised, N=Not used



Counter	No	Tag	St	MaxOcc	Level	Name
0510		SG13	C	10	4	RFF-DTM
0530	21	DTM	C	1	5	Date/time/period

Standard			Implementation	
Tag	Name	St Format	St Format	Usage / Remark
DTM				
C507	Date/time/period	M	M	
2005	Date/time/period qualifier	M an..3	M an..3	171 Reference date/time
2380	Date/time/period	C an..35	C an..35	
2379	Date/time/period format qualifier	C an..3	C an..3	102 CCYYMMDD 203 CCYYMMDDHHMM

Remark:

Example:

DTM+171:201110151130:203'

No = Consecutive segment number
 MaxOcc = Maximum occurrence of the segment/group
 Counter = Counter of segment/group within the standard

St = Status
 EDIFACT: M=Mandatory, C=Conditional
 User specific: R=Required, O=Optional, D=Dependent,
 A=Advised, N=Not used



Counter	No	Tag	St	MaxOcc	Level	Name
0470		SG12	R	200	3	QTY-SCC-DTM-SG13
0480	22	QTY	M	1	3	Quantity

Standard			Implementation	
Tag	Name	St Format	St Format	Usage / Remark
QTY				
C186	Quantity details	M	M	
6063	Quantity qualifier	M an..3	M an..3	113 Quantity to be delivered
6060	Quantity	M n..15	M n..15	
6411	Measure unit qualifier	C an..3	C an..3	PCE Piece

Remark:

Example:

QTY+113:500:PCE'

No = Consecutive segment number
 MaxOcc = Maximum occurrence of the segment/group
 Counter = Counter of segment/group within the standard

St = Status
 EDIFACT: M=Mandatory, C=Conditional
 User specific: R=Required, O=Optional, D=Dependent,
 A=Advised, N=Not used



Counter	No	Tag	St	MaxOcc	Level	Name
0470		SG12	R	200	3	QTY-SCC-DTM-SG13
0490	23	SCC	C	1	4	Scheduling conditions

Standard			Implementation	
Tag	Name	St Format	St Format	Usage / Remark
SCC				
4017	Delivery plan status indicator, coded	M an..3	M an..3	1 Firm 2 Commitment for manufacturing and material 3 Commitment for material 4 Planning/forecast 24 Reference to commercial agreement between partners 25 Reference to commercial agreement between partners 26 Proposed 9 User defined
4493	Delivery requirements, coded	C an..3	N	Not used
C329	Pattern description	C	N	
2013	Frequency, coded	C an..3	N	Not used
2015	Despatch pattern, coded	C an..3	N	Not used
2017	Despatch pattern timing, coded	C an..3	N	Not used

Remark:

Example:

SCC+4'

No = Consecutive segment number
 MaxOcc = Maximum occurrence of the segment/group
 Counter = Counter of segment/group within the standard

St = Status
 EDIFACT: M=Mandatory, C=Conditional
 User specific: R=Required, O=Optional, D=Dependent,
 A=Advised, N=Not used



Counter	No	Tag	St	MaxOcc	Level	Name
	0470	SG12	R	200	3	QTY-SCC-DTM-SG13
	0500	24 DTM	C	2	4	Date/time/period

Standard			Implementation	
Tag	Name	St Format	St Format	Usage / Remark
DTM				
C507	Date/time/period	M	M	
2005	Date/time/period qualifier	M an..3	M an..3	2 Delivery date/time, requested
2380	Date/time/period	C an..35	C an..35	
2379	Date/time/period format qualifier	C an..3	C an..3	102 CCYYMMDD 203 CCYYMMDDHHMM

Remark:

Example:

DTM+2:201112151130:203'

No = Consecutive segment number
 MaxOcc = Maximum occurrence of the segment/group
 Counter = Counter of segment/group within the standard

St = Status
 EDIFACT: M=Mandatory, C=Conditional
 User specific: R=Required, O=Optional, D=Dependent,
 A=Advised, N=Not used



Counter	No	Tag	St	MaxOcc	Level	Name
0510		SG13	C	1	4	RFF
0520	25	RFF	M	1	4	Reference

Standard			Implementation	
Tag	Name	St Format	St Format	Usage / Remark
RFF				
C506	Reference	M	M	
1153	Reference qualifier	M an..3	M an..3	AAJ Delivery order number
1154	Reference number	C an..35	C an..35	
1156	Line number	C an..6	C an..6	Delivery order line number
4000	Reference version number	C an..35	C an..35	Gauge when different from value at item level in SG8 MEA

Remark:

Example:

RFF+AAJ:K012345,001:100:049980'

No = Consecutive segment number
 MaxOcc = Maximum occurrence of the segment/group
 Counter = Counter of segment/group within the standard

St = Status
 EDIFACT: M=Mandatory, C=Conditional
 User specific: R=Required, O=Optional, D=Dependent,
 A=Advised, N=Not used



Counter	No	Tag	St	MaxOcc	Level	Name
---------	----	-----	----	--------	-------	------

1220	26	UNS	M	1	0	SECTION CONTROL
------	----	------------	---	---	---	-----------------

Standard			Implementation	
Tag	Name	St Format	St Format	Usage / Remark
UNS				
0081	Section identification	M a1	M a1	S Detail/summary section separation

Remark:

Example:

UNS+S'

No = Consecutive segment number
 MaxOcc = Maximum occurrence of the segment/group
 Counter = Counter of segment/group within the standard

St = Status
 EDIFACT: M=Mandatory, C=Conditional
 User specific: R=Required, O=Optional, D=Dependent,
 A=Advised, N=Not used



Counter	No	Tag	St	MaxOcc	Level	Name
---------	----	-----	----	--------	-------	------

1250	27	UNT	M	1	0	MESSAGE TRAILER
------	----	------------	---	---	---	-----------------

		Standard	Implementation	
Tag	Name	St Format	St Format	Usage / Remark
UNT				
0074	Number of segments in a message	M n..6	M n..6	
0062	Message reference number	M an..14	M an..14	

Remark:

Example:

UNT+26+1144295'

No = Consecutive segment number
 MaxOcc = Maximum occurrence of the segment/group
 Counter = Counter of segment/group within the standard

St = Status
 EDIFACT: M=Mandatory, C=Conditional
 User specific: R=Required, O=Optional, D=Dependent,
 A=Advised, N=Not used