



Message Implementation Guideline

## SKF Inventory Report Balance D03A 1.1

based on

**INVRPT**

Inventory report message

**UN D.03A S4**

Issue date: 2013-03-12

Author: Anette Repo, HP

1 Message Structure.....	2
2 Branching Diagram .....	3
3 Segments .....	7



**Structure / Table of Contents**

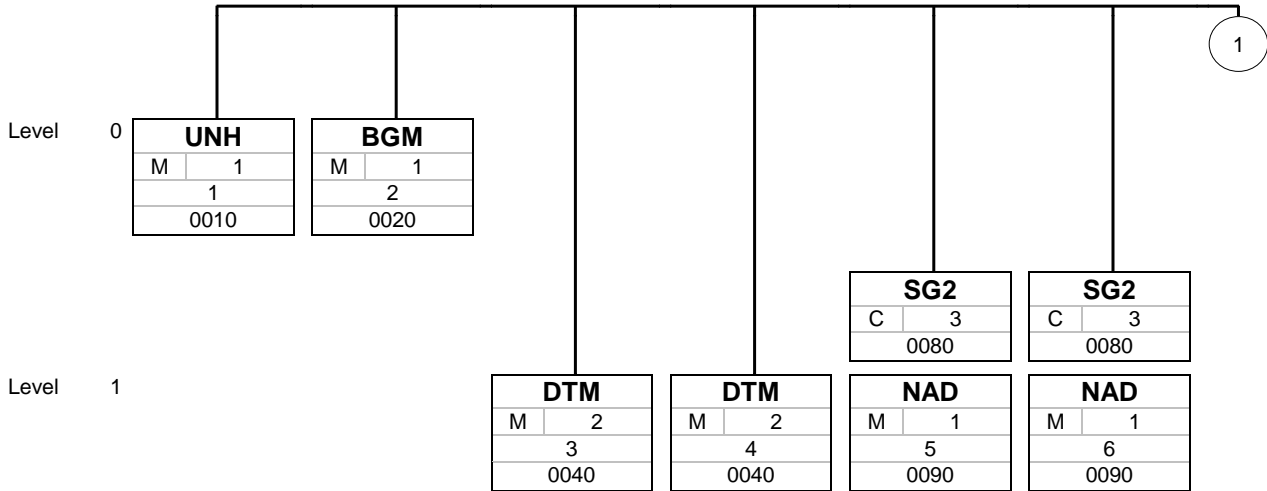
Counter	No	Tag	St	MaxOcc	Level	Content
0010	1	<b>UNH</b>	M	1	0	Message header
0020	2	<b>BGM</b>	M	1	0	Beginning of message
0040	3	<b>DTM</b>	M	2	1	Date/time/period
0040	4	<b>DTM</b>	M	2	1	Date/time/period
0080		<b>SG2</b>	C	3	1	NAD
0090	5	<b>NAD</b>	M	1	1	Name and address
0080		<b>SG2</b>	C	3	1	NAD
0090	6	<b>NAD</b>	M	1	1	Name and address
0080		<b>SG2</b>	C	3	1	NAD
0090	7	<b>NAD</b>	M	1	1	Name and address
0290		<b>SG9</b>	C	9999999	1	LIN-PIA-IMD-SG11
0300	8	<b>LIN</b>	M	1	1	Line item
0310	9	<b>PIA</b>	C	1	2	Additional product id
0320	10	<b>IMD</b>	C	1	2	Item description
0420		<b>SG11</b>	C	9999	2	INV-QTY-GIN-GIN-SG12-SG14
0430	11	<b>INV</b>	M	1	2	Inventory management related details
0440	12	<b>QTY</b>	M	1	3	Quantity
0450	13	<b>GIN</b>	C	9999	3	Goods identity number
0450	14	<b>GIN</b>	C	9999	3	Goods identity number
0490		<b>SG12</b>	C	1	3	NAD-LOC
0500	15	<b>NAD</b>	M	1	3	Name and address
0510	16	<b>LOC</b>	C	1	4	Place/location identification
0560		<b>SG14</b>	C	1	3	RFF
0570	17	<b>RFF</b>	M	1	3	Reference
0730	18	<b>UNT</b>	M	1	0	Message trailer

Counter = Counter of segment/group within the standard  
 No = Consecutive segment number  
 MaxOcc = Maximum occurrence of the segment/group

St = Status  
 EDIFACT: M=Mandatory, C=Conditional  
 User specific: R=Required, O=Optional, D=Dependent,  
 A=Advised, N=Not used

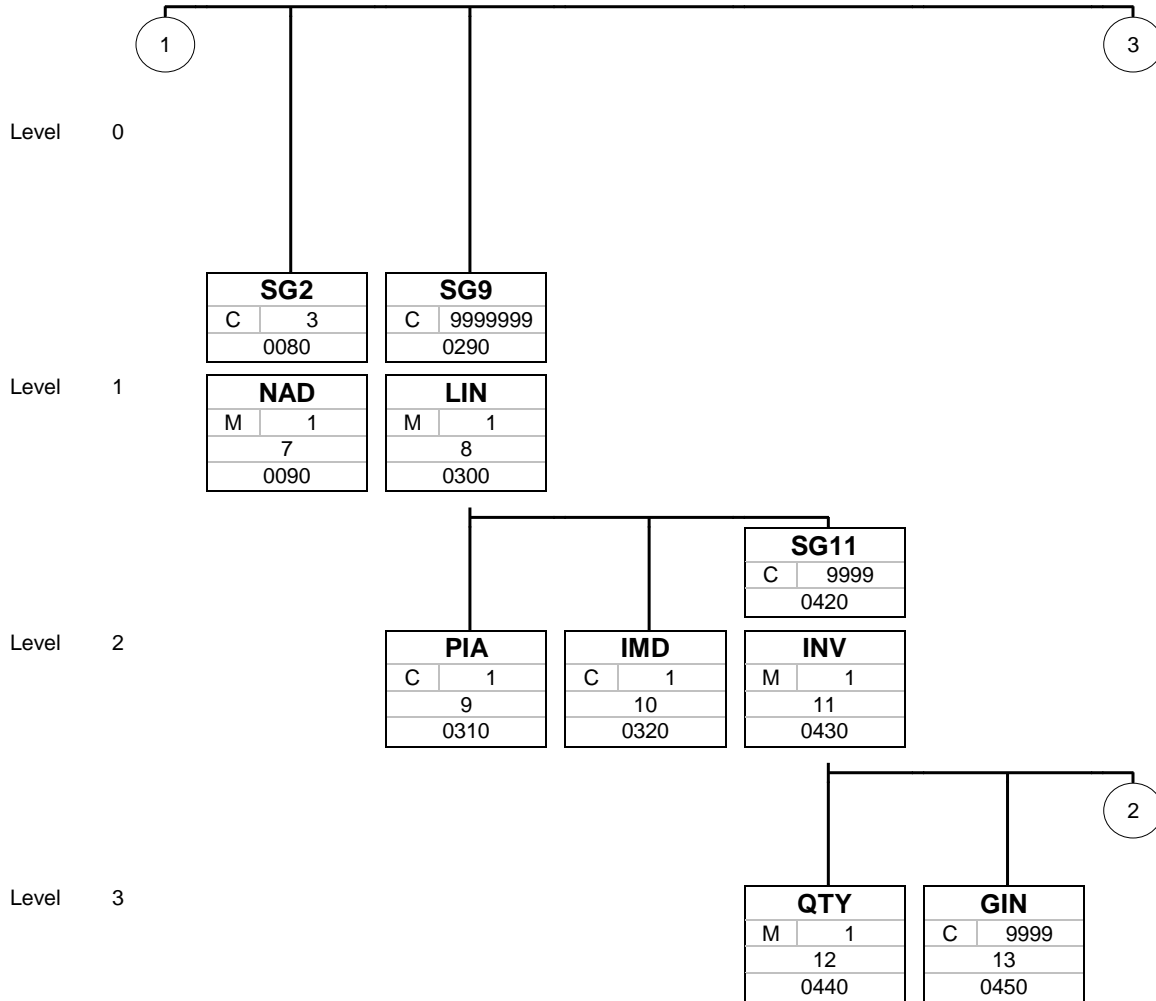


**Branching Diagram of Used Segments/Groups**



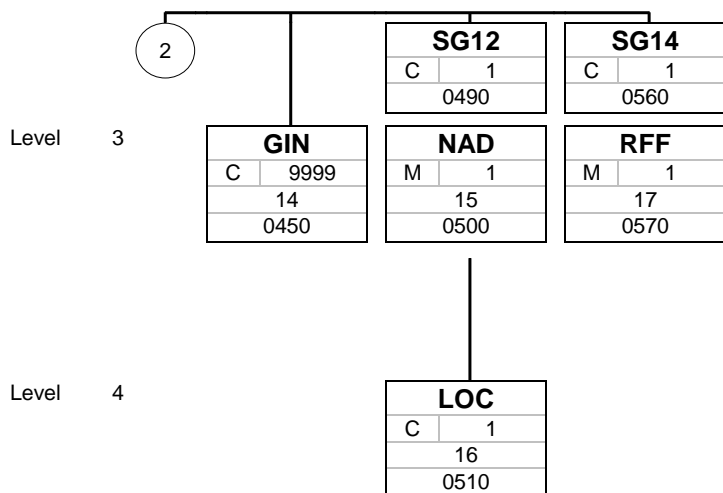
Tag
St MaxOcc
No
Counter

Tag = Segment/Group Tag  
 St = Status (M=Mandatory, C=Conditional, R=Required, O=Optional, A=Advised, D=Dependent)  
 MaxOcc = Maximum occurrence of the segment/group  
 No = Consecutive segment number  
 Counter = Counter of segment/group within the standard



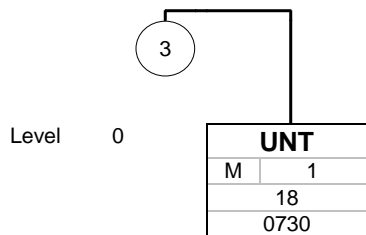
Tag
St MaxOcc
No
Counter

Tag = Segment/Group Tag  
 St = Status (M=Mandatory, C=Conditional, R=Required, O=Optional, A=Advised, D=Dependent)  
 MaxOcc = Maximum occurrence of the segment/group  
 No = Consecutive segment number  
 Counter = Counter of segment/group within the standard



Tag
St MaxOcc
No
Counter

Tag = Segment/Group Tag  
 St = Status (M=Mandatory, C=Conditional, R=Required, O=Optional, A=Advised, D=Dependent)  
 MaxOcc = Maximum occurrence of the segment/group  
 No = Consecutive segment number  
 Counter = Counter of segment/group within the standard



Tag
St MaxOcc
No
Counter

Tag = Segment/Group Tag  
 St = Status (M=Mandatory, C=Conditional, R=Required, O=Optional, A=Advised, D=Dependent)  
 MaxOcc = Maximum occurrence of the segment/group  
 No = Consecutive segment number  
 Counter = Counter of segment/group within the standard



**Segments**

Counter	No	Tag	St	MaxOcc	Level	Name
0010	1	<b>UNH</b>	M	1	0	Message header

Standard			Implementation	
Tag	Name	St Format	St Format	Usage / Remark
UNH				
0062	Message reference number	M an..14	M an..14	
S009	Message identifier	M	M	
0065	Message type	M an..6	M an..6	<b>INVRPT Inventory report message</b>
0052	Message version number	M an..3	M an..3	<b>D Draft version/UN/EDIFACT Directory</b>
0054	Message release number	M an..3	M an..3	<b>03A Release 2003 - A</b>
0051	Controlling agency, coded	M an..3	M an..3	<b>UN UN/CEFACT</b>
0057	Association assigned code	C an..6	N	Not used
0110	Code list directory version number	C an..6	N	Not used
0113	Message type sub-function identification	C an..6	N	Not used
0068	Common access reference	C an..35	N	Not used
S010	Status of the transfer	C	N	
0070	Sequence of transfers	M n..2	N	Not used
0073	First and last transfer	C a1	N	Not used
S016	Message subset identification	C	N	
0115	Message subset identification	M an..14	N	Not used
0116	Message subset version number	C an..3	N	Not used
0118	Message subset release number	C an..3	N	Not used
0051	Controlling agency, coded	C an..3	N	Not used
S017	Message implementation guideline identification	C	N	
0121	Message implementation guideline identification	M an..14	N	Not used
0122	Message implementation guideline version number	C an..3	N	Not used
0124	Message implementation guideline release number	C an..3	N	Not used
0051	Controlling agency, coded	C an..3	N	Not used
S018	Scenario identification	C	N	
0127	Scenario identification	M an..14	N	Not used
0128	Scenario version number	C an..3	N	Not used
0130	Scenario release number	C an..3	N	Not used
0051	Controlling agency, coded	C an..3	N	Not used

**Remark:**

**Example:**

UNH+448864+INVRPT:D:03A:UN'

No = Consecutive segment number  
 MaxOcc = Maximum occurrence of the segment/group  
 Counter = Counter of segment/group within the standard

St = Status  
 EDIFACT: M=Mandatory, C=Conditional  
 User specific: R=Required, O=Optional, D=Dependent,  
 A=Advised, N=Not used



Counter	No	Tag	St	MaxOcc	Level	Name
---------	----	-----	----	--------	-------	------

0020 2 **BGM** M 1 0 **Beginning of message**

Standard			Implementation	
Tag	Name	St Format	St Format	Usage / Remark
BGM				
C002	Document/message name	C	C	
1001	Document name code	C an..3	C an..3	Please note that a message can only contain one reason for inventory movement, for example a Balance Change, Balance List or a Consignment Receipt <b>263 Inventory adjustment status report</b>
1131	Code list identification code	C an..17	N	Not used
3055	Code list responsible agency code	C an..3	N	Not used
1000	Document name	C an..35	N	Not used
C106	Document/message identification	C	C	
1004	Document identifier	C an..35	R an..35	
1056	Version identifier	C an..9	N	Not used
1060	Revision identifier	C an..6	N	Not used
1225	Message function code	C an..3	N	Not used
4343	Response type code	C an..3	N	Not used

**Remark:**

**Example:**

BGM+263+1935215'

No = Consecutive segment number  
 MaxOcc = Maximum occurrence of the segment/group  
 Counter = Counter of segment/group within the standard

St = Status  
 EDIFACT: M=Mandatory, C=Conditional  
 User specific: R=Required, O=Optional, D=Dependent,  
 A=Advised, N=Not used





Counter	No	Tag	St	MaxOcc	Level	Name
---------	----	-----	----	--------	-------	------

0040 3 **DTM** M 2 1 Date/time/period

Standard			Implementation	
Tag	Name	St Format	St Format	Usage / Remark
DTM				
C507	Date/time/period	M	M	
2005	Date or time or period function code qualifier	M an..3	M an..3	<b>137 Document/message date/time</b>
2380	Date or time or period text	C an..35	C an..35	
2379	Date or time or period format code	C an..3	C an..3	<b>102 CCYYMMDD 204 CCYYMMDDHHMMSS</b>

**Remark:**

**Example:**

DTM+137:20011217193047:204'

No = Consecutive segment number  
 MaxOcc = Maximum occurrence of the segment/group  
 Counter = Counter of segment/group within the standard

St = Status  
 EDIFACT: M=Mandatory, C=Conditional  
 User specific: R=Required, O=Optional, D=Dependent,  
 A=Advised, N=Not used



Counter	No	Tag	St	MaxOcc	Level	Name
---------	----	-----	----	--------	-------	------

0040 4 **DTM** M 2 1 Date/time/period

Standard			Implementation	
Tag	Name	St Format	St Format	Usage / Remark
DTM				
C507	Date/time/period	M	M	
2005	Date or time or period function code qualifier	M an..3	M an..3	<b>366 Inventory report date</b>
2380	Date or time or period text	C an..35	C an..35	
2379	Date or time or period format code	C an..3	C an..3	<b>102 CCYYMMDD</b> <b>204 CCYYMMDDHHMMSS</b>

**Remark:**

**Example:**

DTM+366:20111010121230:204'

No = Consecutive segment number  
 MaxOcc = Maximum occurrence of the segment/group  
 Counter = Counter of segment/group within the standard

St = Status  
 EDIFACT: M=Mandatory, C=Conditional  
 User specific: R=Required, O=Optional, D=Dependent,  
 A=Advised, N=Not used



Counter	No	Tag	St	MaxOcc	Level	Name
0080		<b>SG2</b>	C	3	1	<b>NAD</b>
0090	5	<b>NAD</b>	M	1	1	<b>Name and address</b>

Standard			Implementation	
Tag	Name	St Format	St Format	Usage / Remark
NAD				
3035	Party function code qualifier	M an..3	M an..3	Customer Identifier <b>BY Buyer</b>
C082	Party identification details	C	C	
3039	Party identifier	M an..35	M an..35	
1131	Code list identification code	C an..17	N	Not used
3055	Code list responsible agency code	C an..3	N	Not used
C058	Name and address	C	N	
3124	Name and address description	M an..35	N	Not used
3124	Name and address description	C an..35	N	Not used
3124	Name and address description	C an..35	N	Not used
3124	Name and address description	C an..35	N	Not used
3124	Name and address description	C an..35	N	Not used
C080	Party name	C	N	
3036	Party name	M an..35	N	Not used
3036	Party name	C an..35	N	Not used
3036	Party name	C an..35	N	Not used
3036	Party name	C an..35	N	Not used
3036	Party name	C an..35	N	Not used
3045	Party name format code	C an..3	N	Not used
C059	Street	C	N	
3042	Street and number or post office box identifier	M an..35	N	Not used
3042	Street and number or post office box identifier	C an..35	N	Not used
3042	Street and number or post office box identifier	C an..35	N	Not used
3042	Street and number or post office box identifier	C an..35	N	Not used
3164	City name	C an..35	N	Not used
C819	Country sub-entity details	C	N	
3229	Country sub-entity name code	C an..9	N	Not used
1131	Code list identification code	C an..17	N	Not used
3055	Code list responsible agency code	C an..3	N	Not used
3228	Country sub-entity name	C an..70	N	Not used
3251	Postal identification code	C an..17	N	Not used
3207	Country name code	C an..3	N	Not used

**Remark:**

**Example:**

NAD+BY+SWE128'

No = Consecutive segment number  
 MaxOcc = Maximum occurrence of the segment/group  
 Counter = Counter of segment/group within the standard

St = Status  
 EDIFACT: M=Mandatory, C=Conditional  
 User specific: R=Required, O=Optional, D=Dependent,  
 A=Advised, N=Not used



Counter	No	Tag	St	MaxOcc	Level	Name
0080		<b>SG2</b>	C	3	1	<b>NAD</b>
0090	6	<b>NAD</b>	M	1	1	<b>Name and address</b>

Standard			Implementation	
Tag	Name	St Format	St Format	Usage / Remark
NAD				
3035	Party function code qualifier	M an..3	M an..3	Logistic Provider Identifier <b>CS Consolidator</b>
C082	Party identification details	C	C	
3039	Party identifier	M an..35	M an..35	Logistic Provider Identifier
1131	Code list identification code	C an..17	N	Not used
3055	Code list responsible agency code	C an..3	N	Not used
C058	Name and address	C	N	
3124	Name and address description	M an..35	N	Not used
3124	Name and address description	C an..35	N	Not used
3124	Name and address description	C an..35	N	Not used
3124	Name and address description	C an..35	N	Not used
3124	Name and address description	C an..35	N	Not used
C080	Party name	C	N	
3036	Party name	M an..35	N	Not used
3036	Party name	C an..35	N	Not used
3036	Party name	C an..35	N	Not used
3036	Party name	C an..35	N	Not used
3036	Party name	C an..35	N	Not used
3045	Party name format code	C an..3	N	Not used
C059	Street	C	N	
3042	Street and number or post office box identifier	M an..35	N	Not used
3042	Street and number or post office box identifier	C an..35	N	Not used
3042	Street and number or post office box identifier	C an..35	N	Not used
3042	Street and number or post office box identifier	C an..35	N	Not used
3164	City name	C an..35	N	Not used
C819	Country sub-entity details	C	N	
3229	Country sub-entity name code	C an..9	N	Not used
1131	Code list identification code	C an..17	N	Not used
3055	Code list responsible agency code	C an..3	N	Not used
3228	Country sub-entity name	C an..70	N	Not used
3251	Postal identification code	C an..17	N	Not used
3207	Country name code	C an..3	N	Not used

**Remark:**

**Example:**

NAD+CS+LOGP123'

No = Consecutive segment number  
 MaxOcc = Maximum occurrence of the segment/group  
 Counter = Counter of segment/group within the standard

St = Status  
 EDIFACT: M=Mandatory, C=Conditional  
 User specific: R=Required, O=Optional, D=Dependent,  
 A=Advised, N=Not used



Counter	No	Tag	St	MaxOcc	Level	Name
0080		<b>SG2</b>	C	3	1	<b>NAD</b>
0090	7	<b>NAD</b>	M	1	1	<b>Name and address</b>

Standard			Implementation	
Tag	Name	St Format	St Format	Usage / Remark
NAD				
3035	Party function code qualifier	M an..3	M an..3	Seller Identifier <b>SE Seller</b>
C082	Party identification details	C	C	
3039	Party identifier	M an..35	M an..35	Seller Identifier
1131	Code list identification code	C an..17	N	Not used
3055	Code list responsible agency code	C an..3	N	Not used
C058	Name and address	C	N	
3124	Name and address description	M an..35	N	Not used
3124	Name and address description	C an..35	N	Not used
3124	Name and address description	C an..35	N	Not used
3124	Name and address description	C an..35	N	Not used
3124	Name and address description	C an..35	N	Not used
C080	Party name	C	N	
3036	Party name	M an..35	N	Not used
3036	Party name	C an..35	N	Not used
3036	Party name	C an..35	N	Not used
3036	Party name	C an..35	N	Not used
3036	Party name	C an..35	N	Not used
3045	Party name format code	C an..3	N	Not used
C059	Street	C	N	
3042	Street and number or post office box identifier	M an..35	N	Not used
3042	Street and number or post office box identifier	C an..35	N	Not used
3042	Street and number or post office box identifier	C an..35	N	Not used
3042	Street and number or post office box identifier	C an..35	N	Not used
3164	City name	C an..35	N	Not used
C819	Country sub-entity details	C	N	
3229	Country sub-entity name code	C an..9	N	Not used
1131	Code list identification code	C an..17	N	Not used
3055	Code list responsible agency code	C an..3	N	Not used
3228	Country sub-entity name	C an..70	N	Not used
3251	Postal identification code	C an..17	N	Not used
3207	Country name code	C an..3	N	Not used

**Remark:**

**Example:**

NAD+SE+SuppId'

No = Consecutive segment number  
 MaxOcc = Maximum occurrence of the segment/group  
 Counter = Counter of segment/group within the standard

St = Status  
 EDIFACT: M=Mandatory, C=Conditional  
 User specific: R=Required, O=Optional, D=Dependent,  
 A=Advised, N=Not used



Counter	No	Tag	St	MaxOcc	Level	Name
0290		<b>SG9</b>	C	9999999	1	<b>LIN-PIA-IMD-SG11</b>
0300	8	<b>LIN</b>	M	1	1	<b>Line item</b>

Standard			Implementation	
Tag	Name	St Format	St Format	Usage / Remark
LIN				
1082	Line item identifier	C an..6	C n..6	Inventory report line number, unique within file
1229	Action request/notification description code	C an..3	N	Not used
C212	Item number identification	C	C	
7140	Item identifier	C an..35	C an..35	Customer item number
7143	Item type identification code	C an..3	C an..3	The item number has been allocated by the buyer <b>IN Buyer's item number</b>
1131	Code list identification code	C an..17	N	Not used
3055	Code list responsible agency code	C an..3	N	Not used
C829	Sub-line information	C	N	
5495	Sub-line indicator code	C an..3	N	Not used
1082	Line item identifier	C an..6	N	Not used
1222	Configuration level number	C n..2	N	Not used
7083	Configuration operation code	C an..3	N	Not used

**Remark:**

**Example:**

LIN+1++BAHB-60322 ETN9/C3:IN'

No = Consecutive segment number  
 MaxOcc = Maximum occurrence of the segment/group  
 Counter = Counter of segment/group within the standard

St = Status  
 EDIFACT: M=Mandatory, C=Conditional  
 User specific: R=Required, O=Optional, D=Dependent,  
 A=Advised, N=Not used



Counter	No	Tag	St	MaxOcc	Level	Name
0290		<b>SG9</b>	C	9999999	1	<b>LIN-PIA-IMD-SG11</b>
0310	9	<b>PIA</b>	C	1	2	<b>Additional product id</b>

Standard			Implementation	
Tag	Name	St Format	St Format	Usage / Remark
PIA				
4347	Product identifier code qualifier	M an..3	M an..3	<b>1 Additional identification</b>
C212	Item number identification	M	M	
7140	Item identifier	C an..35	C an..35	Supplier item number
7143	Item type identification code	C an..3	C an..3	Number assigned to an article by the supplier of that article <b>SA Supplier's article number</b>
1131	Code list identification code	C an..17	N	Not used
3055	Code list responsible agency code	C an..3	N	Not used
C212	Item number identification	C	N	
7140	Item identifier	C an..35	N	Not used
7143	Item type identification code	C an..3	N	Not used
1131	Code list identification code	C an..17	N	Not used
3055	Code list responsible agency code	C an..3	N	Not used
C212	Item number identification	C	N	
7140	Item identifier	C an..35	N	Not used
7143	Item type identification code	C an..3	N	Not used
1131	Code list identification code	C an..17	N	Not used
3055	Code list responsible agency code	C an..3	N	Not used
C212	Item number identification	C	N	
7140	Item identifier	C an..35	N	Not used
7143	Item type identification code	C an..3	N	Not used
1131	Code list identification code	C an..17	N	Not used
3055	Code list responsible agency code	C an..3	N	Not used

**Remark:**

**Example:**

PIA+1+23308 CC/C3W33:SA'

No = Consecutive segment number  
 MaxOcc = Maximum occurrence of the segment/group  
 Counter = Counter of segment/group within the standard

St = Status  
 EDIFACT: M=Mandatory, C=Conditional  
 User specific: R=Required, O=Optional, D=Dependent,  
 A=Advised, N=Not used



Counter	No	Tag	St	MaxOcc	Level	Name
0290		<b>SG9</b>	C	9999999	1	<b>LIN-PIA-IMD-SG11</b>
0320	10	<b>IMD</b>	C	1	2	<b>Item description</b>

Standard			Implementation	
Tag	Name	St Format	St Format	Usage / Remark
IMD				
7077	Description format code	C an..3	N	Not used
C272	Item characteristic	C	N	
7081	Item characteristic code	C an..3	N	Not used
1131	Code list identification code	C an..17	N	Not used
3055	Code list responsible agency code	C an..3	N	Not used
C273	Item description	C	C	
7009	Item description code	C an..17	N	Not used
1131	Code list identification code	C an..17	N	Not used
3055	Code list responsible agency code	C an..3	N	Not used
7008	Item description	C an..256	C an..256	Customer item description
7008	Item description	C an..256	N	Not used
3453	Language name code	C an..3	N	Not used
7383	Surface or layer code	C an..3	N	Not used

**Remark:**

**Example:**

IMD+++:::DESCRIPTION'

No = Consecutive segment number  
 MaxOcc = Maximum occurrence of the segment/group  
 Counter = Counter of segment/group within the standard

St = Status  
 EDIFACT: M=Mandatory, C=Conditional  
 User specific: R=Required, O=Optional, D=Dependent,  
 A=Advised, N=Not used





Counter	No	Tag	St	MaxOcc	Level	Name
0420		<b>SG11</b>	C	9999	2	<b>INV-QTY-GIN-SG12-SG14</b>
0430	11	<b>INV</b>	M	1	2	<b>Inventory management related details</b>

Standard			Implementation	
Tag	Name	St Format	St Format	Usage / Remark
INV				
4501	Inventory movement direction code	C an..3	C an..3	<b>1 Movement out of inventory</b> <b>2 Movement into inventory</b>
7491	Inventory type code	C an..3	N	Not used
4499	Inventory movement reason code	C an..3	C an..3	1: Used for Consignment Receipt 3: Used for Balance Change 4: Used for Balance Change 5: Used for Balance Change <b>1 Reception</b> <b>2 Delivery</b> <b>3 Scrapped parts</b> <b>4 Difference</b> <b>5 Property transfer within warehouse</b>
4503	Inventory balance method code	C an..3	N	Not used
C522	Instruction	C	N	Not used
4403	Instruction type code qualifier	M an..3	N	Not used
4401	Instruction description code	C an..3	N	Not used
1131	Code list identification code	C an..17	N	Not used
3055	Code list responsible agency code	C an..3	N	Not used
4400	Instruction description	C an..35	N	Not used

**Remark:**

Direction code and reason code is only used (required) for Balance Change, Consignment Receipt and Replenishment Dispatch.

**Example:**

INV+2++1'

No = Consecutive segment number  
MaxOcc = Maximum occurrence of the segment/group  
Counter = Counter of segment/group within the standard

St = Status  
EDIFACT: M=Mandatory, C=Conditional  
User specific: R=Required, O=Optional, D=Dependent,  
A=Advised, N=Not used



Counter	No	Tag	St	MaxOcc	Level	Name
0420		<b>SG11</b>	C	9999	2	INV-QTY-GIN-SG12-SG14
0440	12	<b>QTY</b>	M	1	3	Quantity

Standard			Implementation	
Tag	Name	St Format	St Format	Usage / Remark
QTY				
C186	Quantity details	M	M	
6063	Quantity type code qualifier	M an..3	M an..3	<b>191 Adjustment to inventory quantity</b>
6060	Quantity	M an..35	M n..15	
6411	Measurement unit code	C an..8	C an..8	<b>PCE Pieces</b> <b>C62 one</b>

**Remark:**

**Example:**

QTY+191:13.00:PCE'

No = Consecutive segment number  
 MaxOcc = Maximum occurrence of the segment/group  
 Counter = Counter of segment/group within the standard

St = Status  
 EDIFACT: M=Mandatory, C=Conditional  
 User specific: R=Required, O=Optional, D=Dependent,  
 A=Advised, N=Not used



Counter	No	Tag	St	MaxOcc	Level	Name
0420		<b>SG11</b>	C	9999	2	<b>INV-QTY-GIN-SG12-SG14</b>
0450	13	<b>GIN</b>	C	9999	3	<b>Goods identity number</b>

Standard			Implementation	
Tag	Name	St Format	St Format	Usage / Remark
GIN				
7405	Object identification code qualifier	M an..3	M an..3	Code used for Pallet number/Id <b>AX Case number</b>
C208	Identity number range	M	M	
7402	Object identifier	M an..35	M an..35	Pallet number/Id
7402	Object identifier	C an..35	N	Not used
C208	Identity number range	C	N	
7402	Object identifier	M an..35	N	Not used
7402	Object identifier	C an..35	N	Not used
C208	Identity number range	C	N	
7402	Object identifier	M an..35	N	Not used
7402	Object identifier	C an..35	N	Not used
C208	Identity number range	C	N	
7402	Object identifier	M an..35	N	Not used
7402	Object identifier	C an..35	N	Not used
C208	Identity number range	C	N	
7402	Object identifier	M an..35	N	Not used
7402	Object identifier	C an..35	N	Not used

**Remark:**

**Example:**

GIN+AX+900000025'

No = Consecutive segment number  
 MaxOcc = Maximum occurrence of the segment/group  
 Counter = Counter of segment/group within the standard

St = Status  
 EDIFACT: M=Mandatory, C=Conditional  
 User specific: R=Required, O=Optional, D=Dependent,  
 A=Advised, N=Not used



Counter	No	Tag	St	MaxOcc	Level	Name
0420		<b>SG11</b>	C	9999	2	<b>INV-QTY-GIN-SG12-SG14</b>
0450	14	<b>GIN</b>	C	9999	3	<b>Goods identity number</b>

Standard			Implementation	
Tag	Name	St Format	St Format	Usage / Remark
GIN				
7405	Object identification code qualifier	M an..3	M an..3	Code used for Dispatch number/ld / Production Order number/ld <b>AT Transport packing group number</b>
C208	Identity number range	M	M	
7402	Object identifier	M an..35	M an..35	Dispatch number/ld / Production Order number/ld
7402	Object identifier	C an..35	N	Not used
C208	Identity number range	C	N	
7402	Object identifier	M an..35	N	Not used
7402	Object identifier	C an..35	N	Not used
C208	Identity number range	C	N	
7402	Object identifier	M an..35	N	Not used
7402	Object identifier	C an..35	N	Not used
C208	Identity number range	C	N	
7402	Object identifier	M an..35	N	Not used
7402	Object identifier	C an..35	N	Not used
C208	Identity number range	C	N	
7402	Object identifier	M an..35	N	Not used
7402	Object identifier	C an..35	N	Not used

**Remark:**

**Example:**

GIN+AT+900000025'

No = Consecutive segment number  
 MaxOcc = Maximum occurrence of the segment/group  
 Counter = Counter of segment/group within the standard

St = Status  
 EDIFACT: M=Mandatory, C=Conditional  
 User specific: R=Required, O=Optional, D=Dependent,  
 A=Advised, N=Not used



Counter	No	Tag	St	MaxOcc	Level	Name
0490		<b>SG12</b>	C	1	3	<b>NAD-LOC</b>
0500	15	<b>NAD</b>	M	1	3	<b>Name and address</b>

Standard			Implementation	
Tag	Name	St Format	St Format	Usage / Remark
NAD				
3035	Party function code qualifier	M an..3	M an..3	DP: Factory Identifier <b>DP Delivery party</b>
C082	Party identification details	C	C	
3039	Party identifier	M an..35	M an..35	Factory Identifier
1131	Code list identification code	C an..17	N	Not used
3055	Code list responsible agency code	C an..3	N	Not used
C058	Name and address	C	N	
3124	Name and address description	M an..35	N	Not used
3124	Name and address description	C an..35	N	Not used
3124	Name and address description	C an..35	N	Not used
3124	Name and address description	C an..35	N	Not used
3124	Name and address description	C an..35	N	Not used
C080	Party name	C	N	
3036	Party name	M an..35	N	Not used
3036	Party name	C an..35	N	Not used
3036	Party name	C an..35	N	Not used
3036	Party name	C an..35	N	Not used
3036	Party name	C an..35	N	Not used
3045	Party name format code	C an..3	N	Not used
C059	Street	C	N	
3042	Street and number or post office box identifier	M an..35	N	Not used
3042	Street and number or post office box identifier	C an..35	N	Not used
3042	Street and number or post office box identifier	C an..35	N	Not used
3042	Street and number or post office box identifier	C an..35	N	Not used
3164	City name	C an..35	N	Not used
C819	Country sub-entity details	C	N	
3229	Country sub-entity name code	C an..9	N	Not used
1131	Code list identification code	C an..17	N	Not used
3055	Code list responsible agency code	C an..3	N	Not used
3228	Country sub-entity name	C an..70	N	Not used
3251	Postal identification code	C an..17	N	Not used
3207	Country name code	C an..3	N	Not used

**Remark:**

**Example:**

NAD+DP+XYZ123'

No = Consecutive segment number  
 MaxOcc = Maximum occurrence of the segment/group  
 Counter = Counter of segment/group within the standard

St = Status  
 EDIFACT: M=Mandatory, C=Conditional  
 User specific: R=Required, O=Optional, D=Dependent,  
 A=Advised, N=Not used



Counter	No	Tag	St	MaxOcc	Level	Name
0490		<b>SG12</b>	C	1	3	<b>NAD-LOC</b>
0510	16	<b>LOC</b>	C	1	4	<b>Place/location identification</b>

Standard			Implementation	
Tag	Name	St Format	St Format	Usage / Remark
LOC				
3227	Location function code qualifier	M an..3	M an..3	<b>11 Place/port of discharge</b>
C517	Location identification	C	C	
3225	Location name code	C an..35	C an..35	Gate identifier
1131	Code list identification code	C an..17	N	Not used
3055	Code list responsible agency code	C an..3	N	Not used
3224	Location name	C an..256	N	Not used
C519	Related location one identification	C	N	
3223	First related location name code	C an..25	N	Not used
1131	Code list identification code	C an..17	N	Not used
3055	Code list responsible agency code	C an..3	N	Not used
3222	First related location name	C an..70	N	Not used
C553	Related location two identification	C	N	
3233	Second related location name code	C an..25	N	Not used
1131	Code list identification code	C an..17	N	Not used
3055	Code list responsible agency code	C an..3	N	Not used
3232	Second related location name	C an..70	N	Not used
5479	Relation code	C an..3	N	Not used

**Remark:**

**Example:**

LOC+11+GATE2'

No = Consecutive segment number  
 MaxOcc = Maximum occurrence of the segment/group  
 Counter = Counter of segment/group within the standard

St = Status  
 EDIFACT: M=Mandatory, C=Conditional  
 User specific: R=Required, O=Optional, D=Dependent,  
 A=Advised, N=Not used



Counter	No	Tag	St	MaxOcc	Level	Name
0560		<b>SG14</b>	C	1	3	<b>RFF</b>
0570	17	<b>RFF</b>	M	1	3	<b>Reference</b>

Standard			Implementation	
Tag	Name	St Format	St Format	Usage / Remark
RFF				
C506	Reference	M	M	
1153	Reference code qualifier	M an..3	M an..3	<b>VN Order number (vendor)</b>
1154	Reference identifier	C an..70	C an..70	
1156	Document line identifier	C an..6	C an..6	
4000	Reference version identifier	C an..35	N	Not used
1060	Revision identifier	C an..6	N	Not used

**Remark:**

**Example:**

RFF+VN:C1000123:001'

No = Consecutive segment number  
 MaxOcc = Maximum occurrence of the segment/group  
 Counter = Counter of segment/group within the standard

St = Status  
 EDIFACT: M=Mandatory, C=Conditional  
 User specific: R=Required, O=Optional, D=Dependent,  
 A=Advised, N=Not used



Counter	No	Tag	St	MaxOcc	Level	Name
---------	----	-----	----	--------	-------	------

0730 18 **UNT** M 1 0 **Message trailer**

Standard			Implementation	
Tag	Name	St Format	St Format	Usage / Remark
UNT				
0074	Number of segments in a message	M n..10	M n..10	
0062	Message reference number	M an..14	M an..14	

**Remark:**

**Example:**

UNT+18+448864'

No = Consecutive segment number  
 MaxOcc = Maximum occurrence of the segment/group  
 Counter = Counter of segment/group within the standard

St = Status  
 EDIFACT: M=Mandatory, C=Conditional  
 User specific: R=Required, O=Optional, D=Dependent,  
 A=Advised, N=Not used