



Message Implementation Guideline

SKF Change Purchase Order D96A 1.0

based on

ORDCHG

Purchase order change request message

UN D.96A S3

Issue date: 2011-11-10

Author: Kennert Roupe

1 Message Structure.....	2
2 Branching Diagram	3
3 Segments	6



Structure / Table of Contents

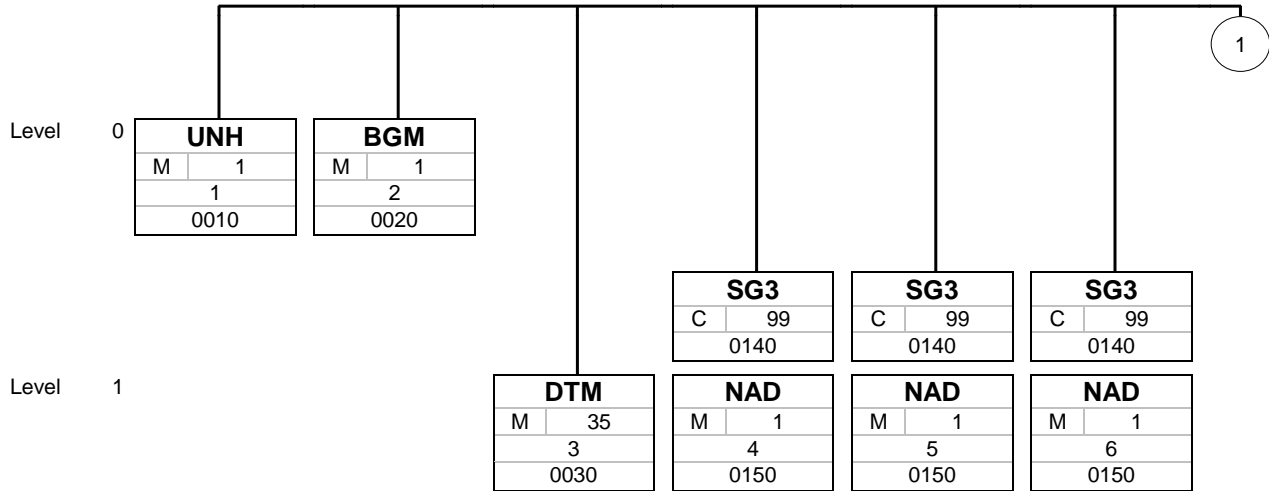
Counter	No	Tag	St	MaxOcc	Level	Content
0010	1	UNH	M	1	0	MESSAGE HEADER
0020	2	BGM	M	1	0	Beginning of message
0030	3	DTM	M	35	1	Date/time/period
0140		SG3	C	99	1	NAD
0150	4	NAD	M	1	1	Name and address
0140		SG3	C	99	1	NAD
0150	5	NAD	M	1	1	Name and address
0140		SG3	C	99	1	NAD
0150	6	NAD	M	1	1	Name and address
0310		SG8	C	5	1	CUX
0320	7	CUX	M	1	1	Currencies
0960		SG26	C	200000	1	LIN-IMD-QTY-DTM-SG30
0970	8	LIN	M	1	1	Line item
0990	9	IMD	C	1	2	Item description
1010	10	QTY	C	10	2	Quantity
1040	11	DTM	C	35	2	Date/time/period
1240		SG30	C	25	2	PRI
1250	12	PRI	M	1	2	Price details
2150	13	UNS	M	1	0	SECTION CONTROL
2220	14	UNT	M	1	0	MESSAGE TRAILER

Counter = Counter of segment/group within the standard
 No = Consecutive segment number
 MaxOcc = Maximum occurrence of the segment/group

St = Status
 EDIFACT: M=Mandatory, C=Conditional
 User specific: R=Required, O=Optional, D=Dependent,
 A=Advised, N=Not used

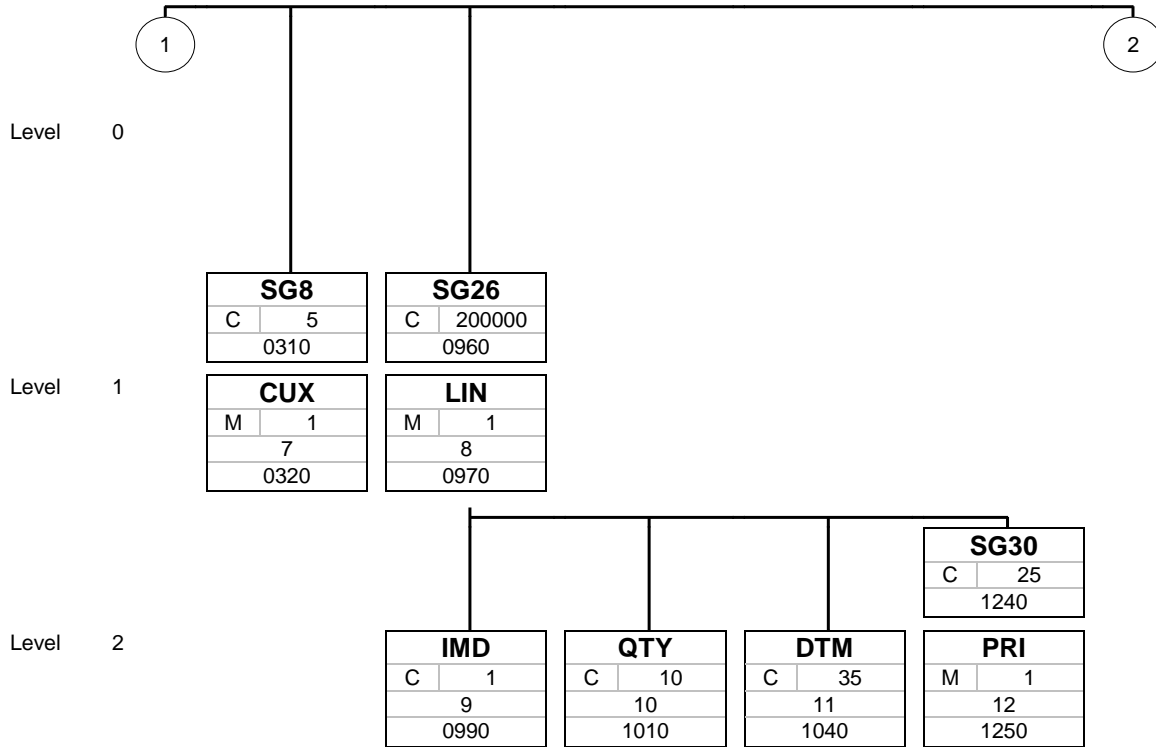


Branching Diagram of Used Segments/Groups



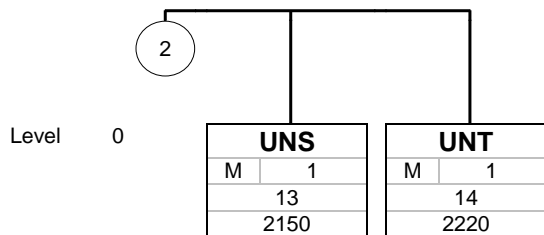
Tag
St MaxOcc
No
Counter

Tag = Segment/Group Tag
 St = Status (M=Mandatory, C=Conditional, R=Required, O=Optional, A=Advised, D=Dependent)
 MaxOcc = Maximum occurrence of the segment/group
 No = Consecutive segment number
 Counter = Counter of segment/group within the standard



Tag
St MaxOcc
No
Counter

Tag = Segment/Group Tag
 St = Status (M=Mandatory, C=Conditional, R=Required, O=Optional, A=Advised, D=Dependent)
 MaxOcc = Maximum occurrence of the segment/group
 No = Consecutive segment number
 Counter = Counter of segment/group within the standard



Tag
St MaxOcc
No
Counter

Tag = Segment/Group Tag
 St = Status (M=Mandatory, C=Conditional, R=Required, O=Optional, A=Advised, D=Dependent)
 MaxOcc = Maximum occurrence of the segment/group
 No = Consecutive segment number
 Counter = Counter of segment/group within the standard



Segments

Counter	No	Tag	St	MaxOcc	Level	Name
0010	1	UNH	M	1	0	MESSAGE HEADER

Standard			Implementation	
Tag	Name	St Format	St Format	Usage / Remark
UNH				
0062	Message reference number	M an..14	M an..14	Message reference number. This value must be equal the value of UNT0062
S009	MESSAGE IDENTIFIER	M	M	
0065	Message type identifier	M an..6	M an..6	ORDCHG Purchase order change message
0052	Message type version number	M an..3	M an..3	D Draft directory
0054	Message type release number	M an..3	M an..3	96A Version 96A
0051	Controlling agency	M an..2	M an..2	UN UN/ECE/TRADE/WP.4, United Nations Standard Messages (UNSM)
0057	Association assigned code	C an..6	N	Not used
0068	Common access reference	C an..35	N	Not used
S010	STATUS OF THE TRANSFER	C	N	
0070	Sequence message transfer number	M n..2	N	Not used
0073	First/last sequence message transfer indication	C a1	N	Not used

Remark:

Example:

UNH+224931+ORDCHG:D:96A:UN'

No = Consecutive segment number
 MaxOcc = Maximum occurrence of the segment/group
 Counter = Counter of segment/group within the standard

St = Status
 EDIFACT: M=Mandatory, C=Conditional
 User specific: R=Required, O=Optional, D=Dependent,
 A=Advised, N=Not used



Counter	No	Tag	St	MaxOcc	Level	Name
---------	----	-----	----	--------	-------	------

0020 2 **BGM** M 1 0 **Beginning of message**

Standard			Implementation	
Tag	Name	St Format	St Format	Usage / Remark
BGM				
C002	Document/message name	C	C	
1001	Document/message name, coded	C an..3	C an..3	230 Purchase order change request
1131	Code list qualifier	C an..3	N	Not used
3055	Code list responsible agency, coded	C an..3	N	Not used
1000	Document/message name	C an..35	N	Not used
1004	Document/message number	C an..35	C an..35	
1225	Message function, coded	C an..3	C an..3	4 Change
4343	Response type, coded	C an..3	N	Not used

Remark:

Example:

BGM+230+201010100164+4'

No = Consecutive segment number
 MaxOcc = Maximum occurrence of the segment/group
 Counter = Counter of segment/group within the standard

St = Status
 EDIFACT: M=Mandatory, C=Conditional
 User specific: R=Required, O=Optional, D=Dependent,
 A=Advised, N=Not used



Counter	No	Tag	St	MaxOcc	Level	Name
---------	----	-----	----	--------	-------	------

0030 3 **DTM** M 35 1 Date/time/period

Standard			Implementation	
Tag	Name	St Format	St Format	Usage / Remark
DTM				
C507	Date/time/period	M	M	
2005	Date/time/period qualifier	M an..3	M an..3	137 Document/message date/time
2380	Date/time/period	C an..35	C an..35	
2379	Date/time/period format qualifier	C an..3	C an..3	204 CCYYMMDDHHMMSS 102 CCYYMMDD

Remark:

Example:

DTM+137:20110101093047:204'

No = Consecutive segment number
 MaxOcc = Maximum occurrence of the segment/group
 Counter = Counter of segment/group within the standard

St = Status
 EDIFACT: M=Mandatory, C=Conditional
 User specific: R=Required, O=Optional, D=Dependent,
 A=Advised, N=Not used



Counter	No	Tag	St	MaxOcc	Level	Name
0140		SG3	C	99	1	NAD
0150	4	NAD	M	1	1	Name and address

Standard			Implementation	
Tag	Name	St Format	St Format	Usage / Remark
NAD				
3035	Party qualifier	M an..3	M an..3	BY Buyer
C082	Party identification details	C	C	
3039	Party id. identification	M an..35	M an..35	
1131	Code list qualifier	C an..3	N	Not used
3055	Code list responsible agency, coded	C an..3	N	Not used
C058	Name and address	C	N	
3124	Name and address line	M an..35	N	Not used
3124	Name and address line	C an..35	N	Not used
3124	Name and address line	C an..35	N	Not used
3124	Name and address line	C an..35	N	Not used
3124	Name and address line	C an..35	N	Not used
C080	Party name	C	N	
3036	Party name	M an..35	N	Not used
3036	Party name	C an..35	N	Not used
3036	Party name	C an..35	N	Not used
3036	Party name	C an..35	N	Not used
3036	Party name	C an..35	N	Not used
3045	Party name format, coded	C an..3	N	Not used
C059	Street	C	N	
3042	Street and number/p.o. box	M an..35	N	Not used
3042	Street and number/p.o. box	C an..35	N	Not used
3042	Street and number/p.o. box	C an..35	N	Not used
3042	Street and number/p.o. box	C an..35	N	Not used
3164	City name	C an..35	N	Not used
3229	Country sub-entity identification	C an..9	N	Not used
3251	Postcode identification	C an..9	N	Not used
3207	Country, coded	C an..3	N	Not used

Remark:

Example:

NAD+BY+CUST123'

No = Consecutive segment number
 MaxOcc = Maximum occurrence of the segment/group
 Counter = Counter of segment/group within the standard

St = Status
 EDIFACT: M=Mandatory, C=Conditional
 User specific: R=Required, O=Optional, D=Dependent,
 A=Advised, N=Not used



Counter	No	Tag	St	MaxOcc	Level	Name
0140		SG3	C	99	1	NAD
0150	5	NAD	M	1	1	Name and address

Standard			Implementation	
Tag	Name	St Format	St Format	Usage / Remark
NAD				
3035	Party qualifier	M an..3	M an..3	SU Supplier
C082	Party identification details	C	C	
3039	Party id. identification	M an..35	M an..35	
1131	Code list qualifier	C an..3	N	Not used
3055	Code list responsible agency, coded	C an..3	N	Not used
C058	Name and address	C	N	
3124	Name and address line	M an..35	N	Not used
3124	Name and address line	C an..35	N	Not used
3124	Name and address line	C an..35	N	Not used
3124	Name and address line	C an..35	N	Not used
3124	Name and address line	C an..35	N	Not used
C080	Party name	C	N	
3036	Party name	M an..35	N	Not used
3036	Party name	C an..35	N	Not used
3036	Party name	C an..35	N	Not used
3036	Party name	C an..35	N	Not used
3036	Party name	C an..35	N	Not used
3045	Party name format, coded	C an..3	N	Not used
C059	Street	C	N	
3042	Street and number/p.o. box	M an..35	N	Not used
3042	Street and number/p.o. box	C an..35	N	Not used
3042	Street and number/p.o. box	C an..35	N	Not used
3042	Street and number/p.o. box	C an..35	N	Not used
3164	City name	C an..35	N	Not used
3229	Country sub-entity identification	C an..9	N	Not used
3251	Postcode identification	C an..9	N	Not used
3207	Country, coded	C an..3	N	Not used

Remark:

Example:

NAD+SU+SUPPL123'

No = Consecutive segment number
 MaxOcc = Maximum occurrence of the segment/group
 Counter = Counter of segment/group within the standard

St = Status
 EDIFACT: M=Mandatory, C=Conditional
 User specific: R=Required, O=Optional, D=Dependent,
 A=Advised, N=Not used



Counter	No	Tag	St	MaxOcc	Level	Name
0140		SG3	C	99	1	NAD
0150	6	NAD	M	1	1	Name and address

Standard			Implementation	
Tag	Name	St Format	St Format	Usage / Remark
NAD				
3035	Party qualifier	M an..3	M an..3	Party to which goods should be delivered DP Delivery party
C082	Party identification details	C	C	
3039	Party id. identification	M an..35	M an..35	
1131	Code list qualifier	C an..3	N	Not used
3055	Code list responsible agency, coded	C an..3	N	Not used
C058	Name and address	C	N	
3124	Name and address line	M an..35	N	Not used
3124	Name and address line	C an..35	N	Not used
3124	Name and address line	C an..35	N	Not used
3124	Name and address line	C an..35	N	Not used
3124	Name and address line	C an..35	N	Not used
C080	Party name	C	C	
3036	Party name	M an..35	M an..35	
3036	Party name	C an..35	N	Not used
3036	Party name	C an..35	N	Not used
3036	Party name	C an..35	N	Not used
3036	Party name	C an..35	N	Not used
3045	Party name format, coded	C an..3	N	Not used
C059	Street	C	C	
3042	Street and number/p.o. box	M an..35	M an..35	
3042	Street and number/p.o. box	C an..35	C an..35	
3042	Street and number/p.o. box	C an..35	N	Not used
3042	Street and number/p.o. box	C an..35	N	Not used
3164	City name	C an..35	C an..35	
3229	Country sub-entity identification	C an..9	N	Not used
3251	Postcode identification	C an..9	C an..9	
3207	Country, coded	C an..3	N	Not used

Remark:**Example:**

NAD+DP+DELP123++SU Name 1+SU Address 1:SU Address 2+SU City++SU PostCD'

No = Consecutive segment number
 MaxOcc = Maximum occurrence of the segment/group
 Counter = Counter of segment/group within the standard

St = Status
 EDIFACT: M=Mandatory, C=Conditional
 User specific: R=Required, O=Optional, D=Dependent,
 A=Advised, N=Not used



Counter	No	Tag	St	MaxOcc	Level	Name
	0310	SG8	C	5	1	CUX
	0320	CUX	M	1	1	Currencies

		Standard	Implementation	
Tag	Name	St Format	St Format	Usage / Remark
CUX				
C504	Currency details	C	C	
6347	Currency details qualifier	M an..3	M an..3	
6345	Currency, coded	C an..3	C an..3	ISO code (invoicing currency) USD US Dollar
6343	Currency qualifier	C an..3	C an..3	9 Order currency
6348	Currency rate base	C n..4	N	Not used
C504	Currency details	C	N	
6347	Currency details qualifier	M an..3	N	Not used
6345	Currency, coded	C an..3	N	Not used
6343	Currency qualifier	C an..3	N	Not used
6348	Currency rate base	C n..4	N	Not used
5402	Rate of exchange	C n..12	N	Not used
6341	Currency market exchange, coded	C an..3	N	Not used

Remark:

Example:

CUX+2 : USD : 9 '

No = Consecutive segment number
 MaxOcc = Maximum occurrence of the segment/group
 Counter = Counter of segment/group within the standard

St = Status
 EDIFACT: M=Mandatory, C=Conditional
 User specific: R=Required, O=Optional, D=Dependent,
 A=Advised, N=Not used



Counter	No	Tag	St	MaxOcc	Level	Name
0960		SG26	C	200000	1	LIN-IMD-QTY-DTM-SG30
0970	8	LIN	M	1	1	Line item

Standard			Implementation	
Tag	Name	St Format	St Format	Usage / Remark
LIN				
1082	Line item number	C n..6	C n..6	
1229	Action request/notification, coded	C an..3	C an..3	1 Added 2 Deleted 3 Changed
C212	Item number identification	C	C	
7140	Item number	C an..35	C an..35	Customer item number
7143	Item number type, coded	C an..3	N	Not used
1131	Code list qualifier	C an..3	N	Not used
3055	Code list responsible agency, coded	C an..3	N	Not used
C829	Sub-line information	C	N	
5495	Sub-line indicator, coded	C an..3	N	Not used
1082	Line item number	C n..6	N	Not used
1222	Configuration level	C n..2	N	Not used
7083	Configuration, coded	C an..3	N	Not used

Remark:

Example:

LIN+1+1+Item number'

No = Consecutive segment number
 MaxOcc = Maximum occurrence of the segment/group
 Counter = Counter of segment/group within the standard

St = Status
 EDIFACT: M=Mandatory, C=Conditional
 User specific: R=Required, O=Optional, D=Dependent,
 A=Advised, N=Not used



Counter	No	Tag	St	MaxOcc	Level	Name
0960		SG26	C	200000	1	LIN-IMD-QTY-DTM-SG30
0990	9	IMD	C	1	2	Item description

Standard			Implementation	
Tag	Name	St Format	St Format	Usage / Remark
IMD				
7077	Item description type, coded	C an..3	N	Not used
7081	Item characteristic, coded	C an..3	N	Not used
C273	Item description	C	C	
7009	Item description identification	C an..17	N	Not used
1131	Code list qualifier	C an..3	N	Not used
3055	Code list responsible agency, coded	C an..3	N	Not used
7008	Item description	C an..35	C an..35	
7008	Item description	C an..35	N	Not used
3453	Language, coded	C an..3	N	Not used
7383	Surface/layer indicator, coded	C an..3	N	Not used

Remark:

Example:

IMD+++:::DESCRIPTION 1'

No = Consecutive segment number
 MaxOcc = Maximum occurrence of the segment/group
 Counter = Counter of segment/group within the standard

St = Status
 EDIFACT: M=Mandatory, C=Conditional
 User specific: R=Required, O=Optional, D=Dependent,
 A=Advised, N=Not used



Counter	No	Tag	St	MaxOcc	Level	Name
0960		SG26	C	200000	1	LIN-IMD-QTY-DTM-SG30
1010	10	QTY	C	10	2	Quantity

Standard			Implementation	
Tag	Name	St Format	St Format	Usage / Remark
QTY				
C186	Quantity details	M	M	
6063	Quantity qualifier	M an..3	M an..3	21 Ordered quantity
6060	Quantity	M n..15	M n..15	
6411	Measure unit qualifier	C an..3	C an..3	Indication of the unit of measurement in which weight (mass), capacity, length, area, volume or other quantity is expressed PCE Piece

Remark:

Example:

QTY+21:1:PCE'

No = Consecutive segment number
 MaxOcc = Maximum occurrence of the segment/group
 Counter = Counter of segment/group within the standard

St = Status
 EDIFACT: M=Mandatory, C=Conditional
 User specific: R=Required, O=Optional, D=Dependent,
 A=Advised, N=Not used



Counter	No	Tag	St	MaxOcc	Level	Name
0960		SG26	C	200000	1	LIN-IMD-QTY-DTM-SG30
1040	11	DTM	C	35	2	Date/time/period

Standard			Implementation	
Tag	Name	St Format	St Format	Usage / Remark
DTM				
C507	Date/time/period	M	M	
2005	Date/time/period qualifier	M an..3	M an..3	2 Delivery date/time, requested
2380	Date/time/period	C an..35	C an..35	
2379	Date/time/period format qualifier	C an..3	C an..3	102 CCYMMDD

Remark:

Example:

DTM+2:20111010:102'

No = Consecutive segment number
 MaxOcc = Maximum occurrence of the segment/group
 Counter = Counter of segment/group within the standard

St = Status
 EDIFACT: M=Mandatory, C=Conditional
 User specific: R=Required, O=Optional, D=Dependent,
 A=Advised, N=Not used



Counter	No	Tag	St	MaxOcc	Level	Name
1240		SG30	C	25	2	PRI
1250	12	PRI	M	1	2	Price details

		Standard	Implementation	
Tag	Name	St Format	St Format	Usage / Remark
PRI				
C509	Price information	C	C	
5125	Price qualifier	M an..3	M an..3	AAA Calculation net
5118	Price	C n..15	C n..15	
5375	Price type, coded	C an..3	N	Not used
5387	Price type qualifier	C an..3	N	Not used
5284	Unit price basis	C n..9	N	Not used
6411	Measure unit qualifier	C an..3	N	Not used
5213	Sub-line price change, coded	C an..3	N	Not used

Remark:

Example:

PRI+AAA:230.09'

No = Consecutive segment number
 MaxOcc = Maximum occurrence of the segment/group
 Counter = Counter of segment/group within the standard

St = Status
 EDIFACT: M=Mandatory, C=Conditional
 User specific: R=Required, O=Optional, D=Dependent,
 A=Advised, N=Not used



Counter	No	Tag	St	MaxOcc	Level	Name
---------	----	-----	----	--------	-------	------

2150 13 **UNS** M 1 0 SECTION CONTROL

Standard			Implementation	
Tag	Name	St Format	St Format	Usage / Remark
UNS				
0081	Section identification	M a1	M a1	S Detail/summary section separation

Remark:

Example:

UNS+S'

No = Consecutive segment number
 MaxOcc = Maximum occurrence of the segment/group
 Counter = Counter of segment/group within the standard

St = Status
 EDIFACT: M=Mandatory, C=Conditional
 User specific: R=Required, O=Optional, D=Dependent,
 A=Advised, N=Not used



Counter	No	Tag	St	MaxOcc	Level	Name
---------	----	-----	----	--------	-------	------

2220 14 **UNT** M 1 0 MESSAGE TRAILER

Standard			Implementation	
Tag	Name	St Format	St Format	Usage / Remark
UNT				
0074	Number of segments in a message	M n..6	M n..6	Number of segments in the message (UNH and UNT incl.)
0062	Message reference number	M an..14	M an..14	Message reference number. This value must be equal the value of UNH0062

Remark:

Example:

UNT+14+224931'

No = Consecutive segment number
 MaxOcc = Maximum occurrence of the segment/group
 Counter = Counter of segment/group within the standard

St = Status
 EDIFACT: M=Mandatory, C=Conditional
 User specific: R=Required, O=Optional, D=Dependent,
 A=Advised, N=Not used