



Message Implementation Guideline

SKF Invoice 810, Supply Integration Manager 1.1

based on

810
Invoice

X12 004010

Version: 4010
Issue date: 7/19/2012
Author: Drummond/Snelson

1 Message Structure	2
2 Branching Diagram	4
3 Segments	10



Structure / Table of Contents

Counter	No	Tag	St	MaxOcc	Level	Content
0010	1	ST	M	1	0	Transaction Set Header
0020	2	BIG	M	1	0	Beginning Segment for Invoice
0040	3	CUR	O	1	0	Currency
0050	4	REF	O	12	1	Bill of Lading Number
0050	5	REF	O	12	1	Baseware Contract Number
0050	6	REF	O	12	1	Original Invoice Number
0070		N1	M	1	1	SU-Supplier
0070	7	N1	M	1	1	Name
0090	8	N3	O	2	2	Address Information
0100	9	N4	O	1	2	Geographic Location
0070		N1	M	1	1	BY-Buying Party
0070	10	N1	M	1	1	Name
0090	11	N3	O	2	2	Address Information
0100	12	N4	O	1	2	Geographic Location
0070		N1	O	1	1	SF-Ship From
0070	13	N1	M	1	1	Name
0090	14	N3	O	2	2	Address Information
0100	15	N4	O	1	2	Geographic Location
0070		N1	M	1	1	ST-Ship To
0070	16	N1	M	1	1	Name
0090	17	N3	O	2	2	Address Information
0100	18	N4	O	1	2	Geographic Location
0110	19	REF	O	12	2	Channel Code
0070		N1	O	1	1	RI-Remit To
0070	20	N1	M	1	1	Name
0090	21	N3	O	2	2	Address Information
0100	22	N4	O	1	2	Geographic Location
0130	23	ITD	O	>1	1	Terms of Sale/Deferred Terms of Sale
0010		IT1	O	200000	1	Item Detail
0010	24	IT1	M	1	1	Baseline Item Data (Invoice)
0050	25	CTP	O	25	2	Pricing Information
0120	26	REF	O	>1	2	Vendor Order Number
0120	27	REF	O	>1	2	Vendor Order Line Number
0120	28	REF	O	>1	2	Bill of Lading Number
0010	29	TDS	M	1	0	Total Monetary Value Summary
0020	30	TXI	O	10	1	Tax Information
0040		SAC	O	25	1	Allowances/Charges
0040	31	SAC	M	1	1	Service, Promotion, Allowance, or Charge Information

Counter = Counter of segment/group within the standard
 No = Consecutive segment number
 MaxOcc = Maximum occurrence of the segment/group

St = Status (M=Mandatory, R=Required, C=Conditional,
 O=Optional, F=Floating, D=Dependent, A=Advised,
 S=Situational, X=Not used, N=Not recommended)



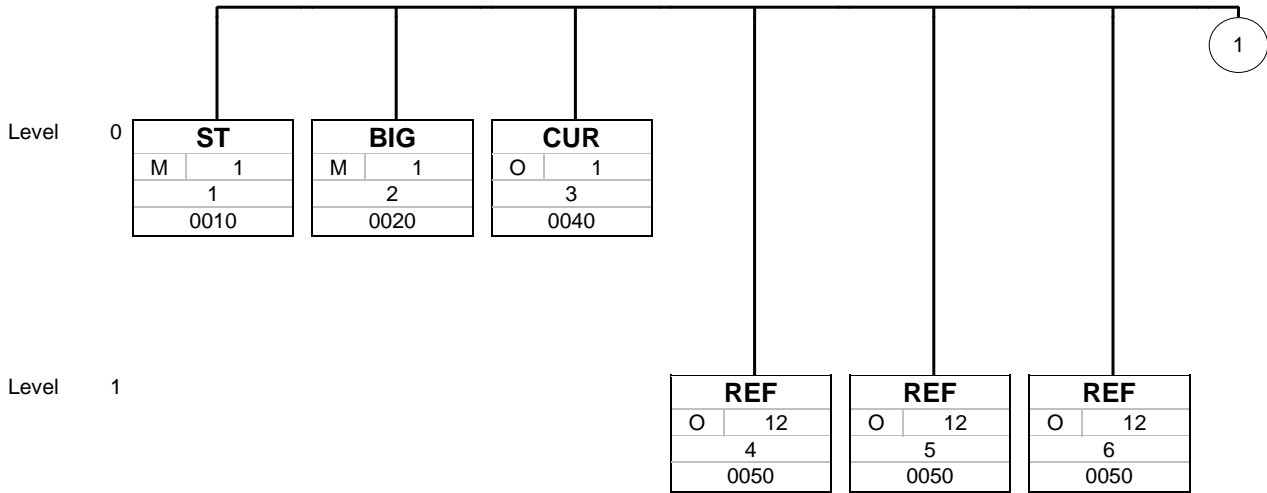
Counter	No	Tag	St	MaxOcc	Level	Content
0070	32	CTT	O	1	0	Transaction Totals
0080	33	SE	M	1	0	Transaction Set Trailer

Counter = Counter of segment/group within the standard
 No = Consecutive segment number
 MaxOcc = Maximum occurrence of the segment/group

St = Status (M=Mandatory, R=Required, C=Conditional,
 O=Optional, F=Floating, D=Dependent, A=Advised,
 S=Situational, X=Not used, N=Not recommended)

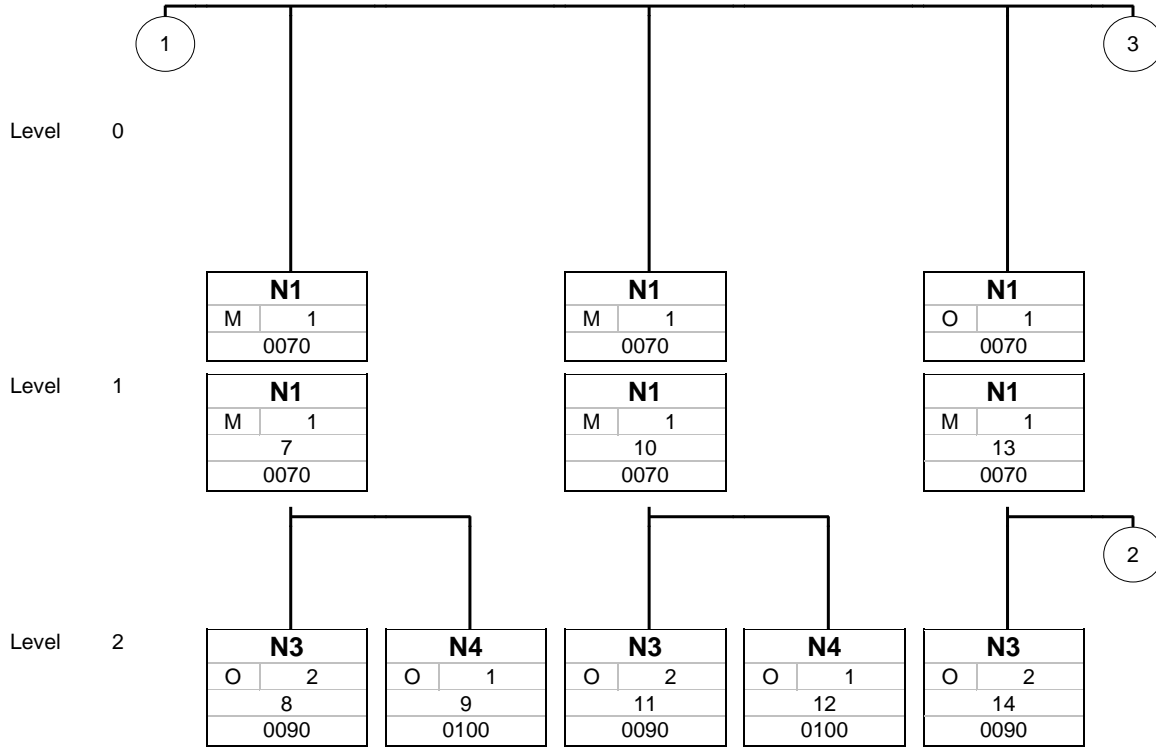


Branching Diagram of Used Segments/Groups



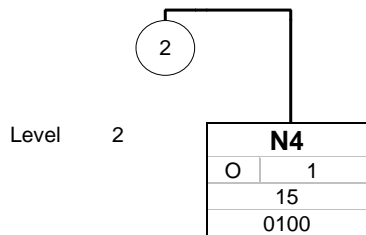
Tag
St MaxOcc
No
Counter

Tag = Segment/Group Tag
 St = Status (M=Mandatory, R=Required, C=Conditional, O=Optional, F=Floating, D=Dependent, A=Advised, S=Situational, X=Not used, N=Not recommended)
 MaxOcc = Maximum occurrence of the segment/group
 No = Consecutive segment number, Counter = Counter of segment/group within the standard



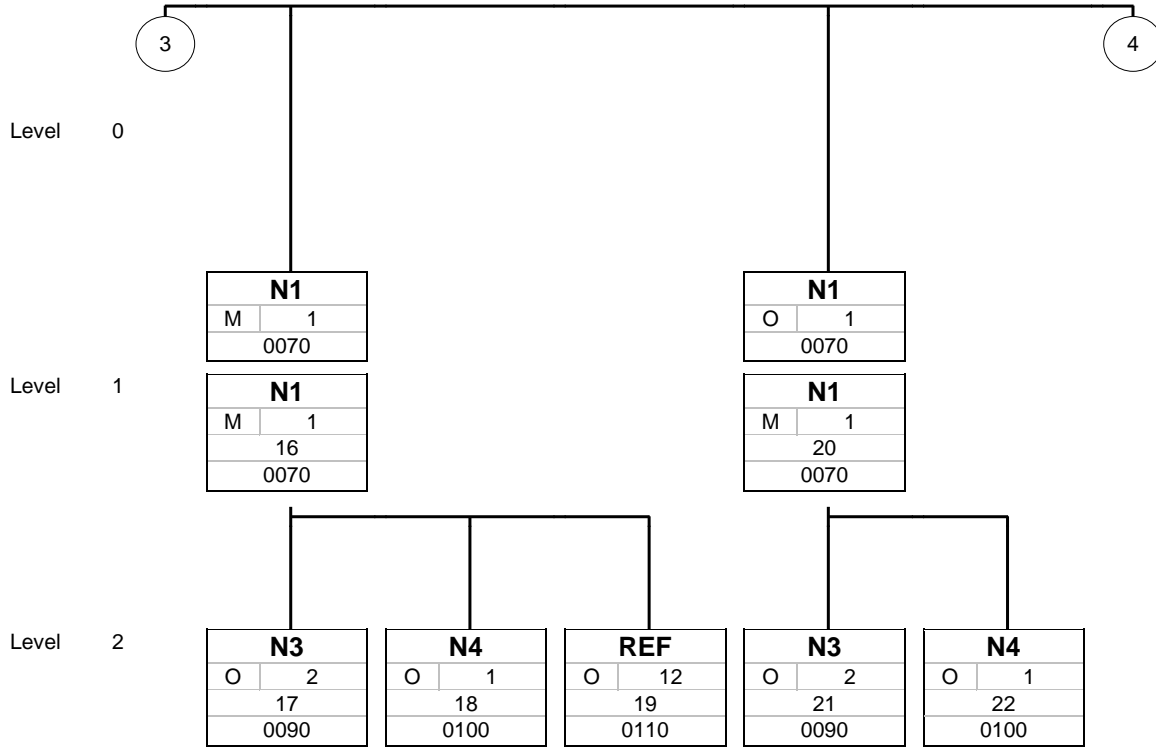
Tag
St MaxOcc
No
Counter

Tag = Segment/Group Tag
 St = Status (M=Mandatory, R=Required, C=Conditional, O=Optional, F=Floating, D=Dependent, A=Advised, S=Situational, X=Not used, N=Not recommended)
 MaxOcc = Maximum occurrence of the segment/group
 No = Consecutive segment number, Counter = Counter of segment/group within the standard



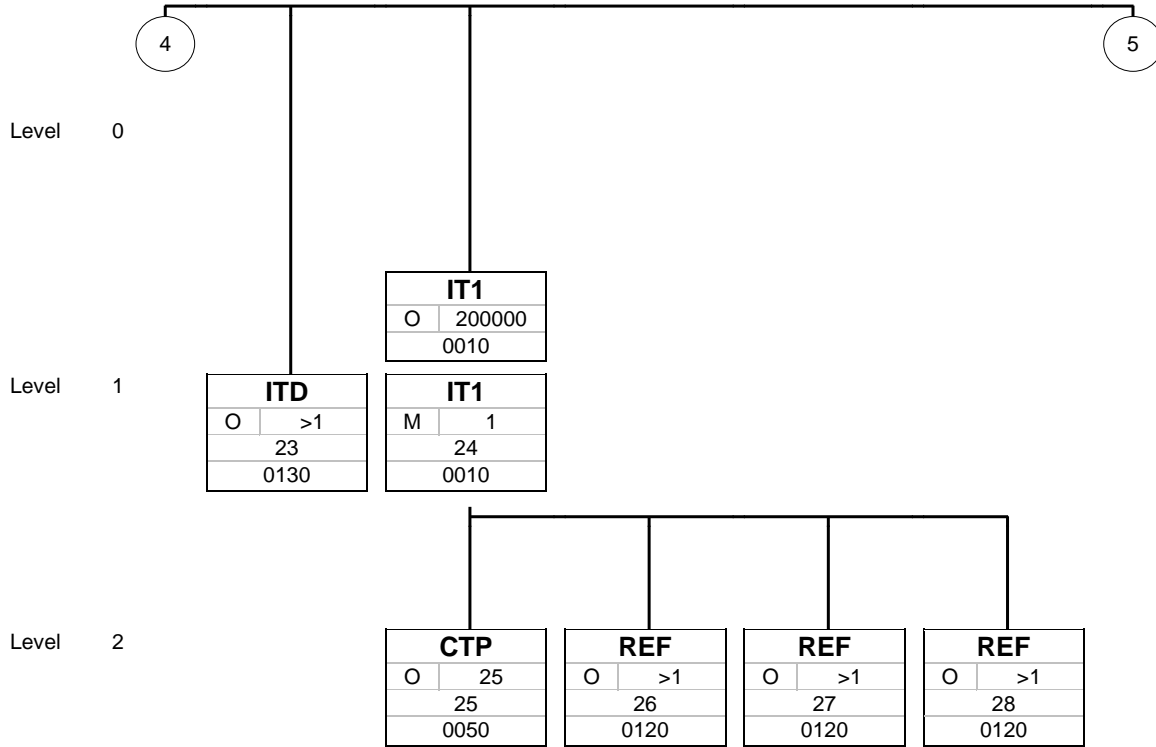
Tag
St MaxOcc
No
Counter

Tag = Segment/Group Tag
 St = Status (M=Mandatory, R=Required, C=Conditional, O=Optional, F=Floating, D=Dependent, A=Advised, S=Situational, X=Not used, N=Not recommended)
 MaxOcc = Maximum occurrence of the segment/group
 No = Consecutive segment number, Counter = Counter of segment/group within the standard



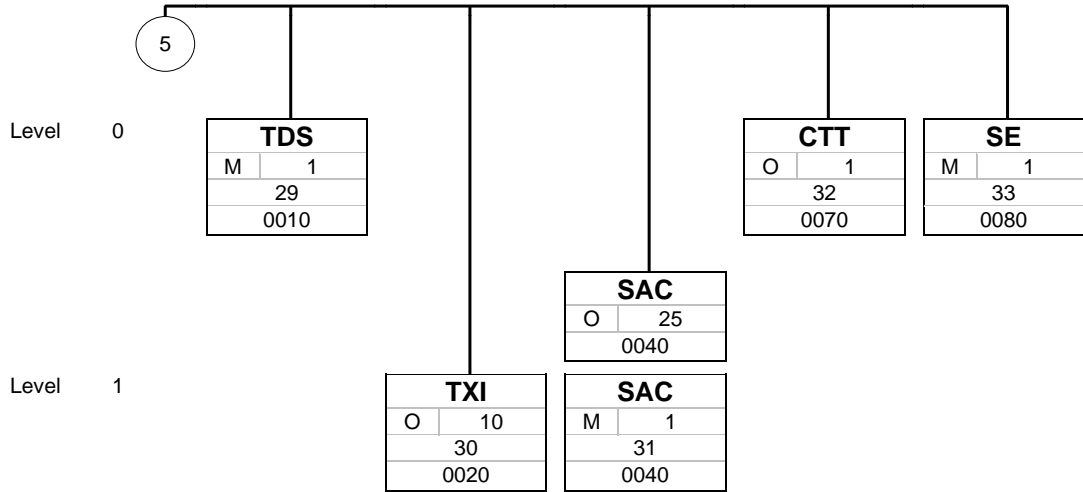
Tag
St MaxOcc
No
Counter

Tag = Segment/Group Tag
 St = Status (M=Mandatory, R=Required, C=Conditional, O=Optional, F=Floating, D=Dependent, A=Advised, S=Situational, X=Not used, N=Not recommended)
 MaxOcc = Maximum occurrence of the segment/group
 No = Consecutive segment number, Counter = Counter of segment/group within the standard



Tag
St MaxOcc
No
Counter

Tag = Segment/Group Tag
 St = Status (M=Mandatory, R=Required, C=Conditional, O=Optional, F=Floating, D=Dependent, A=Advised, S=Situational, X=Not used, N=Not recommended)
 MaxOcc = Maximum occurrence of the segment/group
 No = Consecutive segment number, Counter = Counter of segment/group within the standard



Tag
St MaxOcc
No
Counter

Tag = Segment/Group Tag
 St = Status (M=Mandatory, R=Required, C=Conditional, O=Optional, F=Floating, D=Dependent, A=Advised, S=Situational, X=Not used, N=Not recommended)
 MaxOcc = Maximum occurrence of the segment/group
 No = Consecutive segment number, Counter = Counter of segment/group within the standard



Segments

Counter	No	Tag	St	MaxOcc	Level	Name
0010	1	ST	M	1	0	Transaction Set Header

Standard			Implementation	
Tag	Name	St Format	St Format	Usage / Remark
ST				
143	Transaction Set Identifier Code	M ID 3/3	M ID 3/3	
329	Transaction Set Control Number	M AN 4/9	M AN 4/9	

Remark:

Example:

ST*810*XXXX!

No = Consecutive segment number
 MaxOcc = Maximum occurrence of the segment/group
 Counter = Counter of segment/group within the standard

St = Status (M=Mandatory, R=Required, C=Conditional,
 O=Optional, F=Floating, D=Dependent, A=Advised,
 S=Situational, X=Not used, N=Not recommended)



Counter	No	Tag	St	MaxOcc	Level	Name
---------	----	-----	----	--------	-------	------

0020 2 **BIG** M 1 0 **Beginning Segment for Invoice**

		Standard	Implementation	
Tag	Name	St Format	St Format	Usage / Remark
BIG				
373	Date	M DT 8/8	M DT 8/8	CCYYMMDD
76	Invoice Number	M AN 1/22	M AN 1/22	
373	Date	O DT 8/8	O DT 8/8	Not Used
324	Purchase Order Number	O AN 1/22	O AN 1/22	SKF Order Number
328	Release Number	O AN 1/30	O AN 1/30	Not Used
327	Change Order Sequence Number	O AN 1/8	O AN 1/8	Not Used
640	Transaction Type Code	O ID 2/2	O ID 2/2	CR Credit Memo DI Debit Invoice
353	Transaction Set Purpose Code	O ID 2/2	N	Not used
306	Action Code	O ID 1/2	N	Not used
76	Invoice Number	O AN 1/22	N	Not used

Remark:

Example:

BIG*20120719*InvoiceNmbr**SKF_PONumber***DI!

No = Consecutive segment number
 MaxOcc = Maximum occurrence of the segment/group
 Counter = Counter of segment/group within the standard

St = Status (M=Mandatory, R=Required, C=Conditional,
 O=Optional, F=Floating, D=Dependent, A=Advised,
 S=Situational, X=Not used, N=Not recommended)



Counter	No	Tag	St	MaxOcc	Level	Name
---------	----	-----	----	--------	-------	------

0040 3 **CUR** O 1 0 Currency

		Standard	Implementation	
Tag	Name	St Format	St Format	Usage / Remark
CUR				
98	Entity Identifier Code	M ID 2/3	M ID 2/3	ZZ Mutually Defined
100	Currency Code	M ID 3/3	M ID 3/3	
280	Exchange Rate	O R 4/10	N	Not used
98	Entity Identifier Code	O ID 2/3	N	Not used
100	Currency Code	O ID 3/3	N	Not used
669	Currency Market/Exchange Code	O ID 3/3	N	Not used
374	Date/Time Qualifier	C ID 3/3	N	Not used
373	Date	O DT 8/8	N	Not used
337	Time	O TM 4/8	N	Not used
374	Date/Time Qualifier	C ID 3/3	N	Not used
373	Date	C DT 8/8	N	Not used
337	Time	C TM 4/8	N	Not used
374	Date/Time Qualifier	C ID 3/3	N	Not used
373	Date	C DT 8/8	N	Not used
337	Time	C TM 4/8	N	Not used
374	Date/Time Qualifier	C ID 3/3	N	Not used
373	Date	C DT 8/8	N	Not used
337	Time	C TM 4/8	N	Not used
374	Date/Time Qualifier	C ID 3/3	N	Not used
373	Date	C DT 8/8	N	Not used
337	Time	C TM 4/8	N	Not used

Remark:

Example:

CUR*ZZ*USD!

No = Consecutive segment number
 MaxOcc = Maximum occurrence of the segment/group
 Counter = Counter of segment/group within the standard

St = Status (M=Mandatory, R=Required, C=Conditional,
 O=Optional, F=Floating, D=Dependent, A=Advised,
 S=Situational, X=Not used, N=Not recommended)



Counter	No	Tag	St	MaxOcc	Level	Name
---------	----	-----	----	--------	-------	------

0050 4 **REF** O 12 1 **Bill of Lading Number**

		Standard	Implementation	
Tag	Name	St Format	St Format	Usage / Remark
REF				
128	Reference Identification Qualifier	M ID 2/3	M ID 2/3	BM Bill of Lading Number
127	Reference Identification	C AN 1/30	C AN 1/30	
352	Description	C AN 1/80	N	Not used
C040	Reference Identifier	O	N	
128	Reference Identification Qualifier	M ID 2/3	N	Not used
127	Reference Identification	M AN 1/30	N	Not used
128	Reference Identification Qualifier	C ID 2/3	N	Not used
127	Reference Identification	C AN 1/30	N	Not used
128	Reference Identification Qualifier	C ID 2/3	N	Not used
127	Reference Identification	C AN 1/30	N	Not used

Remark:
Used if single shipment. Refers to all items on Invoice

Example:
REF*BM*Bill of Lading Number!

No = Consecutive segment number
MaxOcc = Maximum occurrence of the segment/group
Counter = Counter of segment/group within the standard

St = Status (M=Mandatory, R=Required, C=Conditional,
O=Optional, F=Floating, D=Dependent, A=Advised,
S=Situational, X=Not used, N=Not recommended)



Counter	No	Tag	St	MaxOcc	Level	Name
---------	----	-----	----	--------	-------	------

0050 5 **REF** O 12 1 **Baseware Contract Number**

		Standard	Implementation	
Tag	Name	St Format	St Format	Usage / Remark
REF				
128	Reference Identification Qualifier	M ID 2/3	M ID 2/3	CT Contract Number
127	Reference Identification	C AN 1/30	C AN 1/30	Baseware Contract Number
352	Description	C AN 1/80	N	Not used
C040	Reference Identifier	O	N	
128	Reference Identification Qualifier	M ID 2/3	N	Not used
127	Reference Identification	M AN 1/30	N	Not used
128	Reference Identification Qualifier	C ID 2/3	N	Not used
127	Reference Identification	C AN 1/30	N	Not used
128	Reference Identification Qualifier	C ID 2/3	N	Not used
127	Reference Identification	C AN 1/30	N	Not used

Remark:
Used only when a Baseware Contract exists

Example:
REF*CT*ContractNumber!

No = Consecutive segment number
MaxOcc = Maximum occurrence of the segment/group
Counter = Counter of segment/group within the standard

St = Status (M=Mandatory, R=Required, C=Conditional,
O=Optional, F=Floating, D=Dependent, A=Advised,
S=Situational, X=Not used, N=Not recommended)



Counter	No	Tag	St	MaxOcc	Level	Name
---------	----	-----	----	--------	-------	------

0050 6 **REF** O 12 1 Original Invoice Number

Standard			Implementation	
Tag	Name	St Format	St Format	Usage / Remark
REF				
128	Reference Identification Qualifier	M ID 2/3	M ID 2/3	IV Seller's Invoice Number
127	Reference Identification	C AN 1/30	C AN 1/30	Original Invoice Number
352	Description	C AN 1/80	N	Not used
C040	Reference Identifier	O	N	
128	Reference Identification Qualifier	M ID 2/3	N	Not used
127	Reference Identification	M AN 1/30	N	Not used
128	Reference Identification Qualifier	C ID 2/3	N	Not used
127	Reference Identification	C AN 1/30	N	Not used
128	Reference Identification Qualifier	C ID 2/3	N	Not used
127	Reference Identification	C AN 1/30	N	Not used

Remark:
Required for Credit Memos

Example:
REF*IV*InvoiceNumber!

No = Consecutive segment number
MaxOcc = Maximum occurrence of the segment/group
Counter = Counter of segment/group within the standard

St = Status (M=Mandatory, R=Required, C=Conditional,
O=Optional, F=Floating, D=Dependent, A=Advised,
S=Situational, X=Not used, N=Not recommended)



Counter	No	Tag	St	MaxOcc	Level	Name
0070		N1	M	1	1	SU-Supplier
0070	7	N1	M	1	1	Name

Standard			Implementation	
Tag	Name	St Format	St Format	Usage / Remark
N1				
98	Entity Identifier Code	M ID 2/3	M ID 2/3	SU Supplier/Manufacturer
93	Name	C AN 1/60	C AN 1/60	
66	Identification Code Qualifier	C ID 1/2	C ID 1/2	92 Assigned by Buyer or Buyer's Agent
67	Identification Code	C AN 2/80	C AN 2/80	
706	Entity Relationship Code	O ID 2/2	N	Not used
98	Entity Identifier Code	O ID 2/3	N	Not used

Remark:

Example:

N1*SU*SU Name*92*SU ID Code!

No = Consecutive segment number
 MaxOcc = Maximum occurrence of the segment/group
 Counter = Counter of segment/group within the standard

St = Status (M=Mandatory, R=Required, C=Conditional,
 O=Optional, F=Floating, D=Dependent, A=Advised,
 S=Situational, X=Not used, N=Not recommended)



Counter	No	Tag	St	MaxOcc	Level	Name
0070		N1	M	1	1	SU-Supplier
0090	8	N3	O	2	2	Address Information

Standard			Implementation	
Tag	Name	St Format	St Format	Usage / Remark
N3				
166	Address Information	M AN 1/55	M AN 1/55	
166	Address Information	O AN 1/55	O AN 1/55	

Remark:

Example:

N3*SU Address Line 1*SU Address Line 2!

No = Consecutive segment number
 MaxOcc = Maximum occurrence of the segment/group
 Counter = Counter of segment/group within the standard

St = Status (M=Mandatory, R=Required, C=Conditional,
 O=Optional, F=Floating, D=Dependent, A=Advised,
 S=Situational, X=Not used, N=Not recommended)



Counter	No	Tag	St	MaxOcc	Level	Name
0070		N1	M	1	1	SU-Supplier
0100	9	N4	O	1	2	Geographic Location

		Standard	Implementation	
Tag	Name	St Format	St Format	Usage / Remark
N4				
19	City Name	O AN 2/30	O AN 2/30	
156	State or Province Code	O ID 2/2	O ID 2/2	
116	Postal Code	O ID 3/15	O ID 3/15	
26	Country Code	O ID 2/3	O ID 2/3	
309	Location Qualifier	C ID 1/2	N	Not used
310	Location Identifier	O AN 1/30	N	Not used

Remark:

Example:

N4*SU City Name*SU State/Province*SU Postal Code*SU Country Code!

No = Consecutive segment number
 MaxOcc = Maximum occurrence of the segment/group
 Counter = Counter of segment/group within the standard

St = Status (M=Mandatory, R=Required, C=Conditional,
 O=Optional, F=Floating, D=Dependent, A=Advised,
 S=Situational, X=Not used, N=Not recommended)



Counter	No	Tag	St	MaxOcc	Level	Name
0070		N1	M	1	1	BY-Buying Party
0070	10	N1	M	1	1	Name

Standard			Implementation	
Tag	Name	St Format	St Format	Usage / Remark
N1				
98	Entity Identifier Code	M ID 2/3	M ID 2/3	BY Buying Party (Purchaser)
93	Name	C AN 1/60	C AN 1/60	
66	Identification Code Qualifier	C ID 1/2	C ID 1/2	92 Assigned by Buyer or Buyer's Agent
67	Identification Code	C AN 2/80	C AN 2/80	
706	Entity Relationship Code	O ID 2/2	N	Not used
98	Entity Identifier Code	O ID 2/3	N	Not used

Remark:

Example:

N1*BY*BY Name*92*BY ID Code!

No = Consecutive segment number
 MaxOcc = Maximum occurrence of the segment/group
 Counter = Counter of segment/group within the standard

St = Status (M=Mandatory, R=Required, C=Conditional,
 O=Optional, F=Floating, D=Dependent, A=Advised,
 S=Situational, X=Not used, N=Not recommended)



Counter	No	Tag	St	MaxOcc	Level	Name
0070		N1	M	1	1	BY-Buying Party
0090	11	N3	O	2	2	Address Information

		Standard	Implementation	
Tag	Name	St Format	St Format	Usage / Remark
N3				
166	Address Information	M AN 1/55	M AN 1/55	
166	Address Information	O AN 1/55	O AN 1/55	

Remark:

Example:

N3*BY Address Line 1*BY Address Line 2!

No = Consecutive segment number
 MaxOcc = Maximum occurrence of the segment/group
 Counter = Counter of segment/group within the standard

St = Status (M=Mandatory, R=Required, C=Conditional,
 O=Optional, F=Floating, D=Dependent, A=Advised,
 S=Situational, X=Not used, N=Not recommended)



Counter	No	Tag	St	MaxOcc	Level	Name
0070		N1	M	1	1	BY-Buying Party
0100	12	N4	O	1	2	Geographic Location

		Standard	Implementation	
Tag	Name	St Format	St Format	Usage / Remark
N4				
19	City Name	O AN 2/30	O AN 2/30	
156	State or Province Code	O ID 2/2	O ID 2/2	
116	Postal Code	O ID 3/15	O ID 3/15	
26	Country Code	O ID 2/3	O ID 2/3	
309	Location Qualifier	C ID 1/2	N	Not used
310	Location Identifier	O AN 1/30	N	Not used

Remark:

Example:

N4*BY City Name*BY State/Province*BY Postal Code*BY Country Code!

No = Consecutive segment number
 MaxOcc = Maximum occurrence of the segment/group
 Counter = Counter of segment/group within the standard

St = Status (M=Mandatory, R=Required, C=Conditional,
 O=Optional, F=Floating, D=Dependent, A=Advised,
 S=Situational, X=Not used, N=Not recommended)



Counter	No	Tag	St	MaxOcc	Level	Name
0070		N1	O	1	1	SF-Ship From
0070	13	N1	M	1	1	Name

Standard			Implementation	
Tag	Name	St Format	St Format	Usage / Remark
N1				
98	Entity Identifier Code	M ID 2/3	M ID 2/3	SF Ship From
93	Name	C AN 1/60	C AN 1/60	
66	Identification Code Qualifier	C ID 1/2	C ID 1/2	92 Assigned by Buyer or Buyer's Agent
67	Identification Code	C AN 2/80	C AN 2/80	
706	Entity Relationship Code	O ID 2/2	N	Not used
98	Entity Identifier Code	O ID 2/3	N	Not used

Remark:

Example:

N1*SF*SF Name*92*SF ID Code!

No = Consecutive segment number
 MaxOcc = Maximum occurrence of the segment/group
 Counter = Counter of segment/group within the standard

St = Status (M=Mandatory, R=Required, C=Conditional,
 O=Optional, F=Floating, D=Dependent, A=Advised,
 S=Situational, X=Not used, N=Not recommended)



Counter	No	Tag	St	MaxOcc	Level	Name
0070		N1	O	1	1	SF-Ship From
0090	14	N3	O	2	2	Address Information

Standard			Implementation	
Tag	Name	St Format	St Format	Usage / Remark
N3				
166	Address Information	M AN 1/55	M AN 1/55	
166	Address Information	O AN 1/55	O AN 1/55	

Remark:

Example:

N3*SF Address Line 1*SF Address Line 2!

No = Consecutive segment number
 MaxOcc = Maximum occurrence of the segment/group
 Counter = Counter of segment/group within the standard

St = Status (M=Mandatory, R=Required, C=Conditional,
 O=Optional, F=Floating, D=Dependent, A=Advised,
 S=Situational, X=Not used, N=Not recommended)



Counter	No	Tag	St	MaxOcc	Level	Name
0070		N1	O	1	1	SF-Ship From
0100	15	N4	O	1	2	Geographic Location

		Standard	Implementation	
Tag	Name	St Format	St Format	Usage / Remark
N4				
19	City Name	O AN 2/30	O AN 2/30	
156	State or Province Code	O ID 2/2	O ID 2/2	
116	Postal Code	O ID 3/15	O ID 3/15	
26	Country Code	O ID 2/3	O ID 2/3	
309	Location Qualifier	C ID 1/2	N	Not used
310	Location Identifier	O AN 1/30	N	Not used

Remark:

Example:

N4*SF City Name*SF State/Province*SF Postal Code*SF Country Code!

No = Consecutive segment number
 MaxOcc = Maximum occurrence of the segment/group
 Counter = Counter of segment/group within the standard

St = Status (M=Mandatory, R=Required, C=Conditional,
 O=Optional, F=Floating, D=Dependent, A=Advised,
 S=Situational, X=Not used, N=Not recommended)



Counter	No	Tag	St	MaxOcc	Level	Name
0070		N1	M	1	1	ST-Ship To
0070	16	N1	M	1	1	Name

Standard			Implementation	
Tag	Name	St Format	St Format	Usage / Remark
N1				
98	Entity Identifier Code	M ID 2/3	M ID 2/3	ST Ship To
93	Name	C AN 1/60	C AN 1/60	
66	Identification Code Qualifier	C ID 1/2	C ID 1/2	92 Assigned by Buyer or Buyer's Agent
67	Identification Code	C AN 2/80	C AN 2/80	
706	Entity Relationship Code	O ID 2/2	N	Not used
98	Entity Identifier Code	O ID 2/3	N	Not used

Remark:

Example:

N1*ST*ST Name*92*ST ID Code!

No = Consecutive segment number
 MaxOcc = Maximum occurrence of the segment/group
 Counter = Counter of segment/group within the standard

St = Status (M=Mandatory, R=Required, C=Conditional,
 O=Optional, F=Floating, D=Dependent, A=Advised,
 S=Situational, X=Not used, N=Not recommended)



Counter	No	Tag	St	MaxOcc	Level	Name
0070		N1	M	1	1	ST-Ship To
0090	17	N3	O	2	2	Address Information

		Standard	Implementation	
Tag	Name	St Format	St Format	Usage / Remark
N3				
166	Address Information	M AN 1/55	M AN 1/55	
166	Address Information	O AN 1/55	O AN 1/55	

Remark:

Example:

N3*ST Address Line 1*ST Address Line 2!

No = Consecutive segment number
 MaxOcc = Maximum occurrence of the segment/group
 Counter = Counter of segment/group within the standard

St = Status (M=Mandatory, R=Required, C=Conditional,
 O=Optional, F=Floating, D=Dependent, A=Advised,
 S=Situational, X=Not used, N=Not recommended)



Counter	No	Tag	St	MaxOcc	Level	Name
	0070	N1	M	1	1	ST-Ship To
	0100 18	N4	O	1	2	Geographic Location

		Standard	Implementation	
Tag	Name	St Format	St Format	Usage / Remark
N4				
19	City Name	O AN 2/30	O AN 2/30	
156	State or Province Code	O ID 2/2	O ID 2/2	
116	Postal Code	O ID 3/15	O ID 3/15	
26	Country Code	O ID 2/3	O ID 2/3	
309	Location Qualifier	C ID 1/2	N	Not used
310	Location Identifier	O AN 1/30	N	Not used

Remark:

Example:

N4*ST City Name*ST State/Province*ST Postal Code*ST Country Code!

No = Consecutive segment number
 MaxOcc = Maximum occurrence of the segment/group
 Counter = Counter of segment/group within the standard

St = Status (M=Mandatory, R=Required, C=Conditional,
 O=Optional, F=Floating, D=Dependent, A=Advised,
 S=Situational, X=Not used, N=Not recommended)



Counter	No	Tag	St	MaxOcc	Level	Name
0070		N1	M	1	1	ST-Ship To
0110	19	REF	O	12	2	Channel Code

		Standard	Implementation	
Tag	Name	St Format	St Format	Usage / Remark
REF				
128	Reference Identification Qualifier	M ID 2/3	M ID 2/3	DK Dock Number
127	Reference Identification	C AN 1/30	C AN 1/30	Channel Code
352	Description	C AN 1/80	N	Not used
C040	Reference Identifier	O	N	
128	Reference Identification Qualifier	M ID 2/3	N	Not used
127	Reference Identification	M AN 1/30	N	Not used
128	Reference Identification Qualifier	C ID 2/3	N	Not used
127	Reference Identification	C AN 1/30	N	Not used
128	Reference Identification Qualifier	C ID 2/3	N	Not used
127	Reference Identification	C AN 1/30	N	Not used

Remark:

Example:

REF*DK*Channel Code!

No = Consecutive segment number
 MaxOcc = Maximum occurrence of the segment/group
 Counter = Counter of segment/group within the standard

St = Status (M=Mandatory, R=Required, C=Conditional,
 O=Optional, F=Floating, D=Dependent, A=Advised,
 S=Situational, X=Not used, N=Not recommended)



Counter	No	Tag	St	MaxOcc	Level	Name
0070		N1	O	1	1	RI-Remit To
0070	20	N1	M	1	1	Name

Standard			Implementation	
Tag	Name	St Format	St Format	Usage / Remark
N1				
98	Entity Identifier Code	M ID 2/3	M ID 2/3	RI Remit To
93	Name	C AN 1/60	C AN 1/60	
66	Identification Code Qualifier	C ID 1/2	C ID 1/2	92 Assigned by Buyer or Buyer's Agent
67	Identification Code	C AN 2/80	C AN 2/80	
706	Entity Relationship Code	O ID 2/2	N	Not used
98	Entity Identifier Code	O ID 2/3	N	Not used

Remark:

Example:

N1*RI*RI Name*92*RI ID Code!

No = Consecutive segment number
 MaxOcc = Maximum occurrence of the segment/group
 Counter = Counter of segment/group within the standard

St = Status (M=Mandatory, R=Required, C=Conditional,
 O=Optional, F=Floating, D=Dependent, A=Advised,
 S=Situational, X=Not used, N=Not recommended)



Counter	No	Tag	St	MaxOcc	Level	Name
0070		N1	O	1	1	RI-Remit To
0090	21	N3	O	2	2	Address Information

Standard			Implementation	
Tag	Name	St Format	St Format	Usage / Remark
N3				
166	Address Information	M AN 1/55	M AN 1/55	
166	Address Information	O AN 1/55	O AN 1/55	

Remark:

Example:

N3*RI Address Line 1*RI Address Line 2!

No = Consecutive segment number
 MaxOcc = Maximum occurrence of the segment/group
 Counter = Counter of segment/group within the standard

St = Status (M=Mandatory, R=Required, C=Conditional,
 O=Optional, F=Floating, D=Dependent, A=Advised,
 S=Situational, X=Not used, N=Not recommended)



Counter	No	Tag	St	MaxOcc	Level	Name
0070		N1	O	1	1	RI-Remit To
0100	22	N4	O	1	2	Geographic Location

		Standard	Implementation	
Tag	Name	St Format	St Format	Usage / Remark
N4				
19	City Name	O AN 2/30	O AN 2/30	
156	State or Province Code	O ID 2/2	O ID 2/2	
116	Postal Code	O ID 3/15	O ID 3/15	
26	Country Code	O ID 2/3	O ID 2/3	
309	Location Qualifier	C ID 1/2	N	Not used
310	Location Identifier	O AN 1/30	N	Not used

Remark:

Example:

N4*RI City Name*RI State/Province*RI Postal Code*RI Country Code!

No = Consecutive segment number
 MaxOcc = Maximum occurrence of the segment/group
 Counter = Counter of segment/group within the standard

St = Status (M=Mandatory, R=Required, C=Conditional,
 O=Optional, F=Floating, D=Dependent, A=Advised,
 S=Situational, X=Not used, N=Not recommended)



Counter	No	Tag	St	MaxOcc	Level	Name
---------	----	-----	----	--------	-------	------

0130 23 **ITD** O >1 1 **Terms of Sale/Deferred Terms of Sale**

		Standard	Implementation	
Tag	Name	St Format	St Format	Usage / Remark
ITD				
336	Terms Type Code	O ID 2/2	O ID 2/2	
333	Terms Basis Date Code	O ID 1/2	O ID 1/2	Not Used
338	Terms Discount Percent	O R 1/6	O R 1/6	Not Used
370	Terms Discount Due Date	C DT 8/8	C DT 8/8	Not Used
351	Terms Discount Days Due	C N0 1/3	C N0 1/3	Not Used
446	Terms Net Due Date	O DT 8/8	O DT 8/8	Payment Due Date - CCYYMMDD
386	Terms Net Days	O N0 1/3	N	Not used
362	Terms Discount Amount	O N2 1/10	N	Not used
388	Terms Deferred Due Date	O DT 8/8	N	Not used
389	Deferred Amount Due	C N2 1/10	N	Not used
342	Percent of Invoice Payable	C R 1/5	N	Not used
352	Description	O AN 1/80	N	Not used
765	Day of Month	C N0 1/2	N	Not used
107	Payment Method Code	O ID 1/2	N	Not used
954	Percent	O R 1/10	N	Not used

Remark:

Example:

ITD*ZZ*****20120719!

No = Consecutive segment number
 MaxOcc = Maximum occurrence of the segment/group
 Counter = Counter of segment/group within the standard

St = Status (M=Mandatory, R=Required, C=Conditional,
 O=Optional, F=Floating, D=Dependent, A=Advised,
 S=Situational, X=Not used, N=Not recommended)



Counter	No	Tag	St	MaxOcc	Level	Name
0010		IT1	O	200000	1	Item Detail
0010	24	IT1	M	1	1	Baseline Item Data (Invoice)

Standard			Implementation	
Tag	Name	St Format	St Format	Usage / Remark
IT1				
350	Assigned Identification	O AN 1/20	O AN 1/20	
358	Quantity Invoiced	C R 1/10	C R 1/10	
355	Unit or Basis for Measurement Code	C ID 2/2	C ID 2/2	
212	Unit Price	C R 1/17	C R 1/17	Max 4 decimals
639	Basis of Unit Price Code	O ID 2/2	O ID 2/2	HP Price per Hundred PE Price per Each PN Price per Ten TP Price per Thousand
235	Product/Service ID Qualifier	C ID 2/2	C ID 2/2	BP Buyer's Part Number PD Part Number Description VP Vendor's (Seller's) Part Number PL Purchaser's Order Line Number
234	Product/Service ID	C AN 1/48	C AN 1/48	
235	Product/Service ID Qualifier	C ID 2/2	C ID 2/2	BP Buyer's Part Number PD Part Number Description VP Vendor's (Seller's) Part Number PL Purchaser's Order Line Number
234	Product/Service ID	C AN 1/48	C AN 1/48	
235	Product/Service ID Qualifier	C ID 2/2	C ID 2/2	BP Buyer's Part Number PD Part Number Description VP Vendor's (Seller's) Part Number PL Purchaser's Order Line Number
234	Product/Service ID	C AN 1/48	C AN 1/48	
235	Product/Service ID Qualifier	C ID 2/2	C ID 2/2	BP Buyer's Part Number PD Part Number Description VP Vendor's (Seller's) Part Number PL Purchaser's Order Line Number
234	Product/Service ID	C AN 1/48	C AN 1/48	
235	Product/Service ID Qualifier	C ID 2/2	N	Not used
234	Product/Service ID	C AN 1/48	N	Not used
235	Product/Service ID Qualifier	C ID 2/2	N	Not used
234	Product/Service ID	C AN 1/48	N	Not used
235	Product/Service ID Qualifier	C ID 2/2	N	Not used
234	Product/Service ID	C AN 1/48	N	Not used
235	Product/Service ID Qualifier	C ID 2/2	N	Not used
234	Product/Service ID	C AN 1/48	N	Not used
235	Product/Service ID Qualifier	C ID 2/2	N	Not used
234	Product/Service ID	C AN 1/48	N	Not used
235	Product/Service ID Qualifier	C ID 2/2	N	Not used
234	Product/Service ID	C AN 1/48	N	Not used

Remark:

BP, VP, and PL are required. All quantities and amounts must be presented as positive values.

Example:

No = Consecutive segment number
 MaxOcc = Maximum occurrence of the segment/group
 Counter = Counter of segment/group within the standard

St = Status (M=Mandatory, R=Required, C=Conditional, O=Optional, F=Floating, D=Dependent, A=Advised, S=Situational, X=Not used, N=Not recommended)



IT1*Line Number*9*EA*10000*HP*BP*Buyer Part Number*PD*Part Description*VP*Vendor Part Number*PL*Vendor Order Line Number!

No = Consecutive segment number
MaxOcc = Maximum occurrence of the segment/group
Counter = Counter of segment/group within the standard

St = Status (M=Mandatory, R=Required, C=Conditional,
O=Optional, F=Floating, D=Dependent, A=Advised,
S=Situational, X=Not used, N=Not recommended)



Counter	No	Tag	St	MaxOcc	Level	Name
0010		IT1	O	200000	1	Item Detail
0050	25	CTP	O	25	2	Pricing Information

		Standard		Implementation		
Tag	Name	St	Format	St	Format	Usage / Remark
CTP						
687	Class of Trade Code	O	ID 2/2	O	ID 2/2	Not Used
236	Price Identifier Code	C	ID 3/3	C	ID 3/3	Not Used
212	Unit Price	C	R 1/17	C	R 1/17	Not Used
380	Quantity	C	R 1/15	C	R 1/15	Not Used
C001	Composite Unit of Measure	C		C		
355	Unit or Basis for Measurement Code	M	ID 2/2	M	ID 2/2	Not Used
1018	Exponent	O	R 1/15	N		Not used
649	Multiplier	O	R 1/10	N		Not used
355	Unit or Basis for Measurement Code	O	ID 2/2	N		Not used
1018	Exponent	O	R 1/15	N		Not used
649	Multiplier	O	R 1/10	N		Not used
355	Unit or Basis for Measurement Code	O	ID 2/2	N		Not used
1018	Exponent	O	R 1/15	N		Not used
649	Multiplier	O	R 1/10	N		Not used
355	Unit or Basis for Measurement Code	O	ID 2/2	N		Not used
1018	Exponent	O	R 1/15	N		Not used
649	Multiplier	O	R 1/10	N		Not used
355	Unit or Basis for Measurement Code	O	ID 2/2	N		Not used
1018	Exponent	O	R 1/15	N		Not used
649	Multiplier	O	R 1/10	N		Not used
648	Price Multiplier Qualifier	O	ID 3/3	O	ID 3/3	Not Used
649	Multiplier	C	R 1/10	C	R 1/10	Not Used
782	Monetary Amount	O	R 1/18	O	R 1/18	Total Line Value / Max 4 decimals
639	Basis of Unit Price Code	O	ID 2/2	N		Not used
499	Condition Value	O	AN 1/10	N		Not used
289	Multiple Price Quantity	O	N0 1/2	N		Not used

Remark:

All quantities and amounts must be presented as positive values.

Example:

CTP*****9!

No = Consecutive segment number
 MaxOcc = Maximum occurrence of the segment/group
 Counter = Counter of segment/group within the standard

St = Status (M=Mandatory, R=Required, C=Conditional,
 O=Optional, F=Floating, D=Dependent, A=Advised,
 S=Situational, X=Not used, N=Not recommended)



Counter	No	Tag	St	MaxOcc	Level	Name
0010		IT1	O	200000	1	Item Detail
0120	26	REF	O	>1	2	Vendor Order Number

Standard			Implementation	
Tag	Name	St Format	St Format	Usage / Remark
REF				
128	Reference Identification Qualifier	M ID 2/3	M ID 2/3	VN Vendor Order Number
127	Reference Identification	C AN 1/30	C AN 1/30	
352	Description	C AN 1/80	N	Not used
C040	Reference Identifier	O	N	
128	Reference Identification Qualifier	M ID 2/3	N	Not used
127	Reference Identification	M AN 1/30	N	Not used
128	Reference Identification Qualifier	C ID 2/3	N	Not used
127	Reference Identification	C AN 1/30	N	Not used
128	Reference Identification Qualifier	C ID 2/3	N	Not used
127	Reference Identification	C AN 1/30	N	Not used

Remark:

Example:

REF*VN*Vendor Order Number!

No = Consecutive segment number
 MaxOcc = Maximum occurrence of the segment/group
 Counter = Counter of segment/group within the standard

St = Status (M=Mandatory, R=Required, C=Conditional,
 O=Optional, F=Floating, D=Dependent, A=Advised,
 S=Situational, X=Not used, N=Not recommended)



Counter	No	Tag	St	MaxOcc	Level	Name
0010		IT1	O	200000	1	Item Detail
0120	27	REF	O	>1	2	Vendor Order Line Number

Standard			Implementation	
Tag	Name	St Format	St Format	Usage / Remark
REF				
128	Reference Identification Qualifier	M ID 2/3	M ID 2/3	LI Line Item Identifier (Seller's)
127	Reference Identification	C AN 1/30	C AN 1/30	
352	Description	C AN 1/80	N	Not used
C040	Reference Identifier	O	N	
128	Reference Identification Qualifier	M ID 2/3	N	Not used
127	Reference Identification	M AN 1/30	N	Not used
128	Reference Identification Qualifier	C ID 2/3	N	Not used
127	Reference Identification	C AN 1/30	N	Not used
128	Reference Identification Qualifier	C ID 2/3	N	Not used
127	Reference Identification	C AN 1/30	N	Not used

Remark:

Example:

REF*LI*Venord Order Line Number!

No = Consecutive segment number
 MaxOcc = Maximum occurrence of the segment/group
 Counter = Counter of segment/group within the standard

St = Status (M=Mandatory, R=Required, C=Conditional,
 O=Optional, F=Floating, D=Dependent, A=Advised,
 S=Situational, X=Not used, N=Not recommended)



Counter	No	Tag	St	MaxOcc	Level	Name
	0010	IT1	O	200000	1	Item Detail
	0120 28	REF	O	>1	2	Bill of Lading Number

Standard			Implementation	
Tag	Name	St Format	St Format	Usage / Remark
REF				
128	Reference Identification Qualifier	M ID 2/3	M ID 2/3	BM Bill of Lading Number
127	Reference Identification	C AN 1/30	C AN 1/30	
352	Description	C AN 1/80	N	Not used
C040	Reference Identifier	O	N	
128	Reference Identification Qualifier	M ID 2/3	N	Not used
127	Reference Identification	M AN 1/30	N	Not used
128	Reference Identification Qualifier	C ID 2/3	N	Not used
127	Reference Identification	C AN 1/30	N	Not used
128	Reference Identification Qualifier	C ID 2/3	N	Not used
127	Reference Identification	C AN 1/30	N	Not used

Remark:
Used if multiple shipments on this Invoice

Example:
REF*BM*Bill of Lading Number!

No = Consecutive segment number
MaxOcc = Maximum occurrence of the segment/group
Counter = Counter of segment/group within the standard

St = Status (M=Mandatory, R=Required, C=Conditional,
O=Optional, F=Floating, D=Dependent, A=Advised,
S=Situational, X=Not used, N=Not recommended)



Counter	No	Tag	St	MaxOcc	Level	Name
0010	29	TDS	M	1	0	Total Monetary Value Summary

		Standard	Implementation	
Tag	Name	St Format	St Format	Usage / Remark
TDS				
610	Amount	M N2 1/15	M N2 1/15	
610	Amount	O N2 1/15	N	Not used
610	Amount	O N2 1/15	N	Not used
610	Amount	O N2 1/15	N	Not used

Remark:

All quantities and amounts must be presented as positive values.

Example:

TDS*900!

No = Consecutive segment number
 MaxOcc = Maximum occurrence of the segment/group
 Counter = Counter of segment/group within the standard

St = Status (M=Mandatory, R=Required, C=Conditional,
 O=Optional, F=Floating, D=Dependent, A=Advised,
 S=Situational, X=Not used, N=Not recommended)



Counter	No	Tag	St	MaxOcc	Level	Name
---------	----	-----	----	--------	-------	------

0020 30 **TXI** O 10 1 Tax Information

		Standard	Implementation	
Tag	Name	St Format	St Format	Usage / Remark
TXI				
963	Tax Type Code	M ID 2/2	M ID 2/2	VA Value Added Tax
782	Monetary Amount	C R 1/18	C R 1/18	
954	Percent	C R 1/10	C R 1/10	
955	Tax Jurisdiction Code Qualifier	C ID 2/2	C ID 2/2	Not Used
956	Tax Jurisdiction Code	C AN 1/10	C AN 1/10	Not Used
441	Tax Exempt Code	C ID 1/1	C ID 1/1	Not Used
662	Relationship Code	O ID 1/1	O ID 1/1	Not Used
828	Dollar Basis For Percent	O R 1/9	O R 1/9	
325	Tax Identification Number	O AN 1/20	N	Not used
350	Assigned Identification	O AN 1/20	N	Not used

Remark:

All quantities and amounts must be presented as positive values.

Example:

TXI*VA*9*1*****9!

No = Consecutive segment number
 MaxOcc = Maximum occurrence of the segment/group
 Counter = Counter of segment/group within the standard

St = Status (M=Mandatory, R=Required, C=Conditional,
 O=Optional, F=Floating, D=Dependent, A=Advised,
 S=Situational, X=Not used, N=Not recommended)



Counter	No	Tag	St	MaxOcc	Level	Name
0040		SAC	O	25	1	Allowances/Charges
0040	31	SAC	M	1	1	Service, Promotion, Allowance, or Charge Information

Standard			Implementation	
Tag	Name	St Format	St Format	Usage / Remark
SAC				
248	Allowance or Charge Indicator	M ID 1/1	M ID 1/1	A Allowance C Charge
1300	Service, Promotion, Allowance, or Charge Code	C ID 4/4	C ID 4/4	A010 Absolute Minimum Charge B872 Customs Duty D240 Freight F050 Other (See related description) F155 Packaging G660 Scrap Allowance G760 Set-up H550 Surcharge H730 Tax - Local Sales Tax H770 Tax - State Tax H850 Tax E620 Metals Surcharge
559	Agency Qualifier Code	C ID 2/2	C ID 2/2	Not Used
1301	Agency Service, Promotion, Allowance, or Charge Code	C AN 1/10	C AN 1/10	Not Used
610	Amount	O N2 1/15	O N2 1/15	
378	Allowance/Charge Percent Qualifier	C ID 1/1	C ID 1/1	Not Used
332	Percent	C R 1/6	C R 1/6	Not Used
118	Rate	O R 1/9	O R 1/9	Not Used
355	Unit or Basis for Measurement Code	C ID 2/2	C ID 2/2	Not Used
380	Quantity	C R 1/15	C R 1/15	Not Used
380	Quantity	O R 1/15	O R 1/15	Not Used
331	Allowance or Charge Method of Handling Code	O ID 2/2	O ID 2/2	Not Used
127	Reference Identification	C AN 1/30	C AN 1/30	Not Used
770	Option Number	O AN 1/20	O AN 1/20	Not Used
352	Description	C AN 1/80	C AN 1/80	
819	Language Code	O ID 2/3	N	Not used

Remark:

All quantities and amounts must be presented as positive values.

Example:

SAC*A*E620***999*****Service Description!

No = Consecutive segment number
 MaxOcc = Maximum occurrence of the segment/group
 Counter = Counter of segment/group within the standard

St = Status (M=Mandatory, R=Required, C=Conditional,
 O=Optional, F=Floating, D=Dependent, A=Advised,
 S=Situational, X=Not used, N=Not recommended)



Counter	No	Tag	St	MaxOcc	Level	Name
---------	----	-----	----	--------	-------	------

0070 32 **CTT** O 1 0 Transaction Totals

		Standard	Implementation	
Tag	Name	St Format	St Format	Usage / Remark
CTT				
354	Number of Line Items	M N0 1/6	M N0 1/6	
347	Hash Total	O R 1/10	N	Not used
81	Weight	C R 1/10	N	Not used
355	Unit or Basis for Measurement Code	C ID 2/2	N	Not used
183	Volume	C R 1/8	N	Not used
355	Unit or Basis for Measurement Code	C ID 2/2	N	Not used
352	Description	O AN 1/80	N	Not used

Remark:

All quantities and amounts must be presented as positive values.

Example:

CTT*9!

No = Consecutive segment number
 MaxOcc = Maximum occurrence of the segment/group
 Counter = Counter of segment/group within the standard

St = Status (M=Mandatory, R=Required, C=Conditional,
 O=Optional, F=Floating, D=Dependent, A=Advised,
 S=Situational, X=Not used, N=Not recommended)



Counter	No	Tag	St	MaxOcc	Level	Name
---------	----	-----	----	--------	-------	------

0080	33	SE	M	1	0	Transaction Set Trailer
------	----	-----------	---	---	---	-------------------------

Standard			Implementation	
Tag	Name	St Format	St Format	Usage / Remark
SE				
96	Number of Included Segments	M N0 1/10	M N0 1/10	
329	Transaction Set Control Number	M AN 4/9	M AN 4/9	

Remark:

Example:

SE*4*XXXX!

No = Consecutive segment number
 MaxOcc = Maximum occurrence of the segment/group
 Counter = Counter of segment/group within the standard

St = Status (M=Mandatory, R=Required, C=Conditional,
 O=Optional, F=Floating, D=Dependent, A=Advised,
 S=Situational, X=Not used, N=Not recommended)