



Message Implementation Guideline

SKF Dispatch Advice 856, Supply Integration Manager 1.0

based on

856
Ship Notice/Manifest

X12 004010

Version: 4010
Issue date: 6/15/2012
Author: Snelson

1 Message Structure	2
2 Branching Diagram	4
3 Segments	11



Structure / Table of Contents

Counter	No	Tag	St	MaxOcc	Level	Content
0010	1	ST	M	1	0	Transaction Set Header
0020	2	BSN	M	1	0	Beginning Segment for Ship Notice
0040	3	DTM	M	1	1	Date Shipped
0040	4	DTM	O	1	1	Estimated Delivery
0010		HL	M	1	1	Shipment Level
0010	5	HL	M	1	1	Hierarchical Level
0110	6	TD1	O	1	2	Carrier Details (Quantity and Weight)
0120	7	TD5	O	1	2	Carrier Details (Routing Sequence/Transit Time)
0220		N1	M	1	2	SU-Supplier
0220	8	N1	M	1	2	Name
0240	9	N3	O	2	3	Address Information
0250	10	N4	O	1	3	Geographic Location
0220		N1	M	1	2	BY-Buying Party
0220	11	N1	M	1	2	Name
0240	12	N3	O	2	3	Address Information
0250	13	N4	O	1	3	Geographic Location
0220		N1	O	1	2	SF-Ship From
0220	14	N1	M	1	2	Name
0240	15	N3	O	2	3	Address Information
0250	16	N4	O	1	3	Geographic Location
0220		N1	M	1	2	ST-Ship To
0220	17	N1	M	1	2	Name
0240	18	N3	O	2	3	Address Information
0250	19	N4	O	1	3	Geographic Location
0260	20	REF	O	1	3	Channel Code
0260	21	REF	O	1	3	Internal Delivery Address
0010		HL	M	200000	1	Order Level
0010	22	HL	M	1	1	Hierarchical Level
0050	23	PRF	O	1	2	Purchase Order Reference
0010		HL	M	200000	1	Item Level
0010	24	HL	M	1	1	Hierarchical Level
0020	25	LIN	O	1	2	Item Identification
0030	26	SN1	O	1	2	Item Detail (Shipment)
0150	27	REF	O	1	2	Vendor Order Number
0150	28	REF	O	1	2	Sellers Line Number
0170		CLD	O	200	2	Packaging Loop
0170	29	CLD	M	1	2	Load Detail
0180	30	REF	O	200	3	Reference Identification

Counter = Counter of segment/group within the standard
 No = Consecutive segment number
 MaxOcc = Maximum occurrence of the segment/group

St = Status (M=Mandatory, R=Required, C=Conditional,
 O=Optional, F=Floating, D=Dependent, A=Advised,
 S=Situational, X=Not used, N=Not recommended)



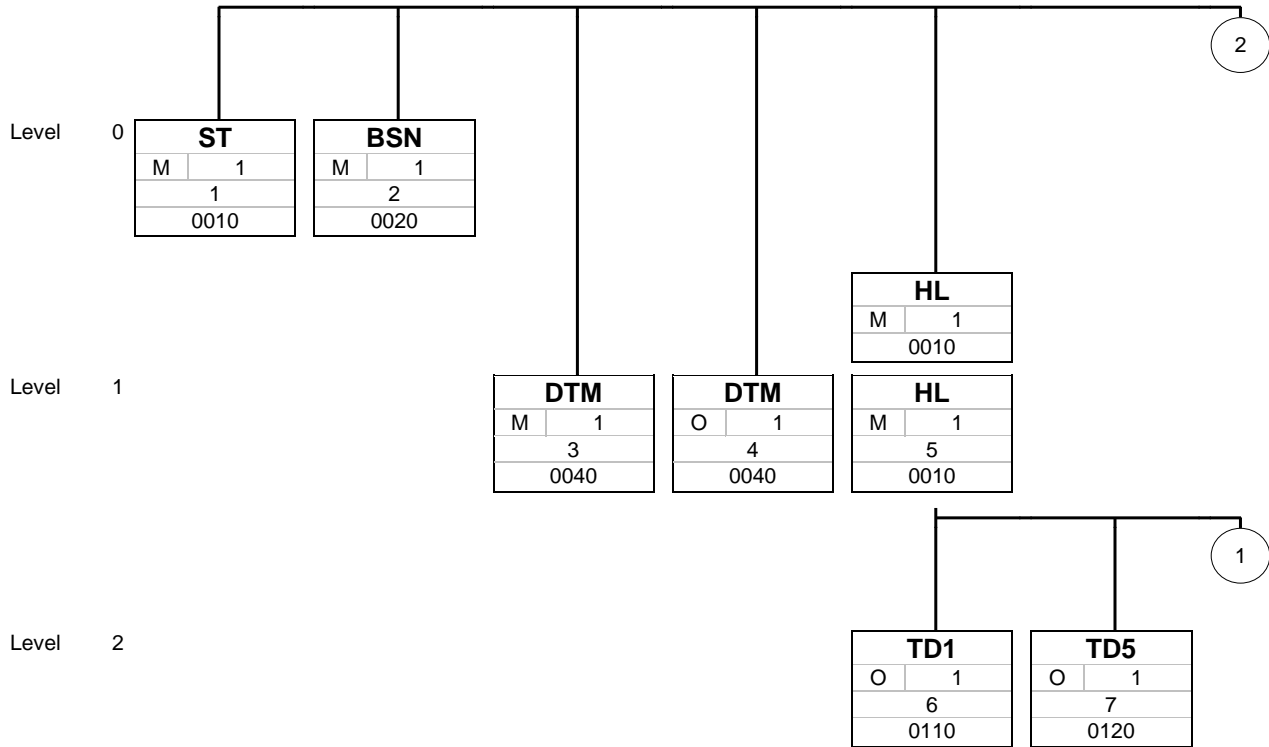
Counter	No	Tag	St	MaxOcc	Level	Content
0010	31	CTT	O	1	0	Transaction Totals
0020	32	SE	M	1	0	Transaction Set Trailer

Counter = Counter of segment/group within the standard
 No = Consecutive segment number
 MaxOcc = Maximum occurrence of the segment/group

St = Status (M=Mandatory, R=Required, C=Conditional,
 O=Optional, F=Floating, D=Dependent, A=Advised,
 S=Situational, X=Not used, N=Not recommended)

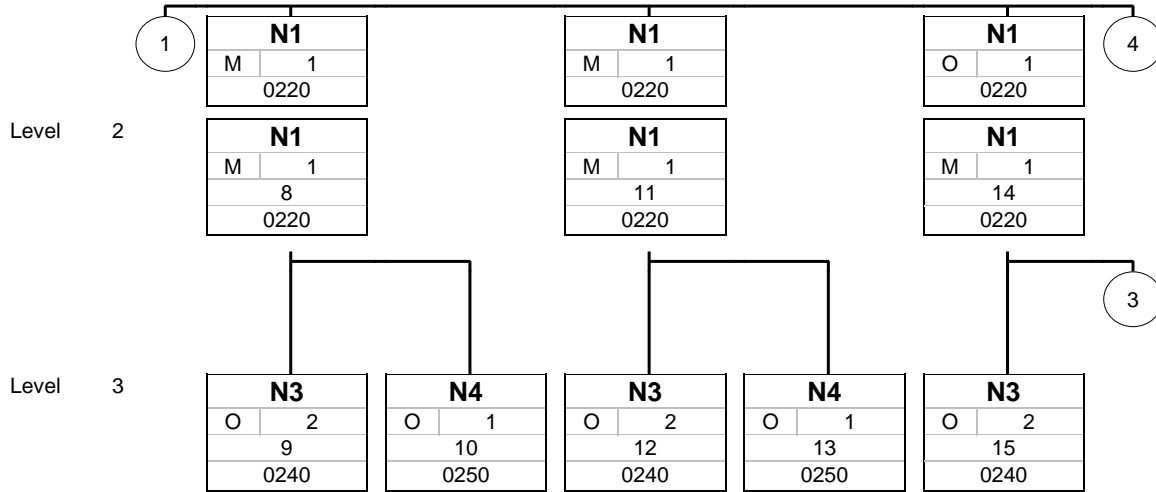


Branching Diagram of Used Segments/Groups



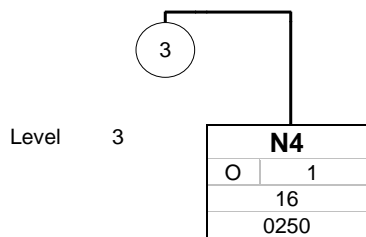
Tag
St MaxOcc
No
Counter

Tag = Segment/Group Tag
 St = Status (M=Mandatory, R=Required, C=Conditional, O=Optional, F=Floating, D=Dependent, A=Advised, S=Situational, X=Not used, N=Not recommended)
 MaxOcc = Maximum occurrence of the segment/group
 No = Consecutive segment number, Counter = Counter of segment/group within the standard



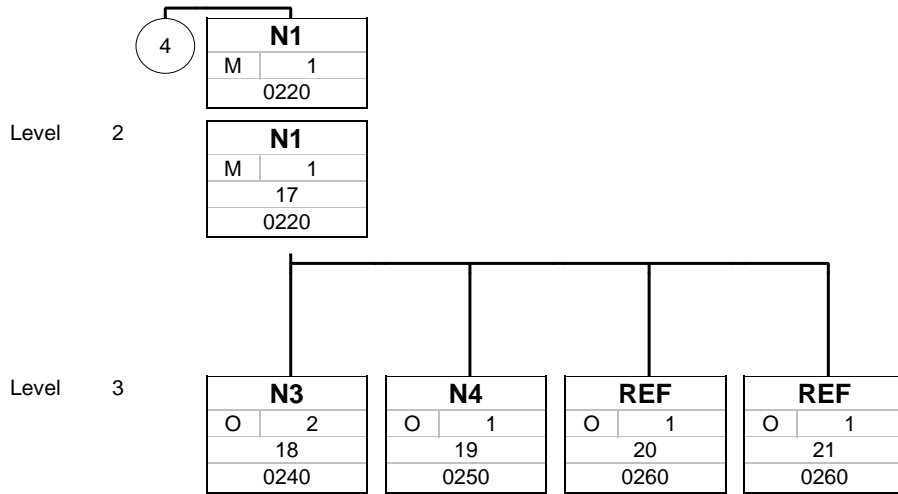
Tag
St MaxOcc
No
Counter

Tag = Segment/Group Tag
 St = Status (M=Mandatory, R=Required, C=Conditional, O=Optional, F=Floating, D=Dependent, A=Advised, S=Situational, X=Not used, N=Not recommended)
 MaxOcc = Maximum occurrence of the segment/group
 No = Consecutive segment number, Counter = Counter of segment/group within the standard



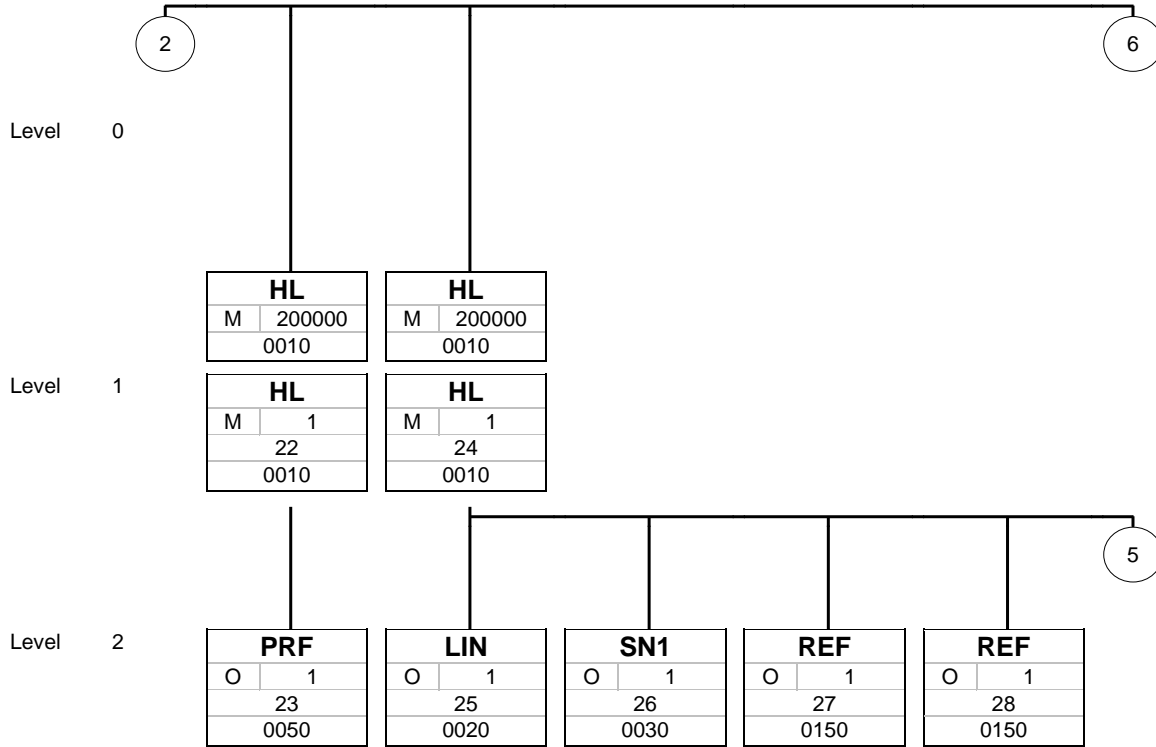
Tag
St MaxOcc
No
Counter

Tag = Segment/Group Tag
 St = Status (M=Mandatory, R=Required, C=Conditional, O=Optional, F=Floating, D=Dependent, A=Advised, S=Situational, X=Not used, N=Not recommended)
 MaxOcc = Maximum occurrence of the segment/group
 No = Consecutive segment number, Counter = Counter of segment/group within the standard



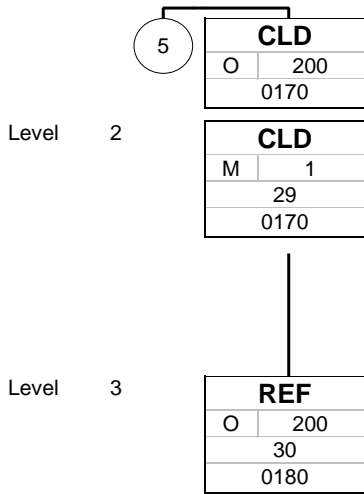
Tag
St MaxOcc
No
Counter

Tag = Segment/Group Tag
 St = Status (M=Mandatory, R=Required, C=Conditional, O=Optional, F=Floating, D=Dependent, A=Advised, S=Situational, X=Not used, N=Not recommended)
 MaxOcc = Maximum occurrence of the segment/group
 No = Consecutive segment number, Counter = Counter of segment/group within the standard



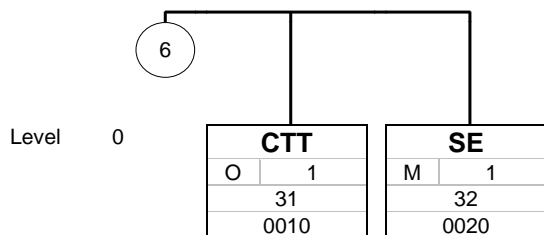
Tag
St MaxOcc
No
Counter

Tag = Segment/Group Tag
 St = Status (M=Mandatory, R=Required, C=Conditional, O=Optional, F=Floating, D=Dependent, A=Advised, S=Situational, X=Not used, N=Not recommended)
 MaxOcc = Maximum occurrence of the segment/group
 No = Consecutive segment number, Counter = Counter of segment/group within the standard



Tag
St MaxOcc
No
Counter

Tag = Segment/Group Tag
 St = Status (M=Mandatory, R=Required, C=Conditional, O=Optional, F=Floating, D=Dependent, A=Advised, S=Situational, X=Not used, N=Not recommended)
 MaxOcc = Maximum occurrence of the segment/group
 No = Consecutive segment number, Counter = Counter of segment/group within the standard



Tag
St MaxOcc
No
Counter

Tag = Segment/Group Tag
 St = Status (M=Mandatory, R=Required, C=Conditional, O=Optional, F=Floating, D=Dependent, A=Advised, S=Situational, X=Not used, N=Not recommended)
 MaxOcc = Maximum occurrence of the segment/group
 No = Consecutive segment number, Counter = Counter of segment/group within the standard



Segments

Counter	No	Tag	St	MaxOcc	Level	Name
0010	1	ST	M	1	0	Transaction Set Header

Standard			Implementation	
Tag	Name	St Format	St Format	Usage / Remark
ST				
143	Transaction Set Identifier Code	M ID 3/3	M ID 3/3	856 Ship Notice/Manifest
329	Transaction Set Control Number	M AN 4/9	M AN 4/9	

Remark:

Example:

ST*856*XXXX!

No = Consecutive segment number
 MaxOcc = Maximum occurrence of the segment/group
 Counter = Counter of segment/group within the standard

St = Status (M=Mandatory, R=Required, C=Conditional,
 O=Optional, F=Floating, D=Dependent, A=Advised,
 S=Situational, X=Not used, N=Not recommended)



Counter	No	Tag	St	MaxOcc	Level	Name
---------	----	-----	----	--------	-------	------

0020 2 **BSN** M 1 0 **Beginning Segment for Ship Notice**

Standard			Implementation	
Tag	Name	St Format	St Format	Usage / Remark
BSN				
353	Transaction Set Purpose Code	M ID 2/2	M ID 2/2	00 Original
396	Shipment Identification	M AN 2/30	M AN 2/30	Unique number i.e. Bill of Lading
373	Date	M DT 8/8	M DT 8/8	Transaction creation date (CCYYMMDD)
337	Time	M TM 4/8	M TM 4/8	(HHMM)
1005	Hierarchical Structure Code	O ID 4/4	N	Not used
640	Transaction Type Code	C ID 2/2	N	Not used
641	Status Reason Code	O ID 3/3	N	Not used

Remark:

Example:

BSN*00*012345*20120615*1037!

No = Consecutive segment number
 MaxOcc = Maximum occurrence of the segment/group
 Counter = Counter of segment/group within the standard

St = Status (M=Mandatory, R=Required, C=Conditional,
 O=Optional, F=Floating, D=Dependent, A=Advised,
 S=Situational, X=Not used, N=Not recommended)



Counter	No	Tag	St	MaxOcc	Level	Name
---------	----	-----	----	--------	-------	------

0040 3 **DTM** M 1 1 Date Shipped

Standard			Implementation	
Tag	Name	St Format	St Format	Usage / Remark
DTM				
374	Date/Time Qualifier	M ID 3/3	M ID 3/3	011 Shipped
373	Date	C DT 8/8	C DT 8/8	Date shipped (CCYYMMDD)
337	Time	C TM 4/8	C TM 4/8	Time Shipped (HHMM)
623	Time Code	O ID 2/2	O ID 2/2	CT Central Time ET Eastern Time MT Mountain Time PT Pacific Time
1250	Date Time Period Format Qualifier	C ID 2/3	N	Not used
1251	Date Time Period	C AN 1/35	N	Not used

Remark:

Example:

DTM*011*20120615*0803*CT!

No = Consecutive segment number
 MaxOcc = Maximum occurrence of the segment/group
 Counter = Counter of segment/group within the standard

St = Status (M=Mandatory, R=Required, C=Conditional,
 O=Optional, F=Floating, D=Dependent, A=Advised,
 S=Situational, X=Not used, N=Not recommended)



Counter	No	Tag	St	MaxOcc	Level	Name
---------	----	-----	----	--------	-------	------

0040 4 **DTM** O 1 1 **Estimated Delivery**

		Standard	Implementation	
Tag	Name	St Format	St Format	Usage / Remark
DTM				
374	Date/Time Qualifier	M ID 3/3	M ID 3/3	017 Estimated Delivery
373	Date	C DT 8/8	C DT 8/8	(CCYYMMDD)
337	Time	C TM 4/8	N	Not used
623	Time Code	O ID 2/2	N	Not used
1250	Date Time Period Format Qualifier	C ID 2/3	N	Not used
1251	Date Time Period	C AN 1/35	N	Not used

Remark:

Example:

DTM*017*20120711!

No = Consecutive segment number
 MaxOcc = Maximum occurrence of the segment/group
 Counter = Counter of segment/group within the standard

St = Status (M=Mandatory, R=Required, C=Conditional,
 O=Optional, F=Floating, D=Dependent, A=Advised,
 S=Situational, X=Not used, N=Not recommended)



Counter	No	Tag	St	MaxOcc	Level	Name
	0010	HL	M	1	1	Shipment Level
	0010	5 HL	M	1	1	Hierarchical Level

Standard			Implementation	
Tag	Name	St Format	St Format	Usage / Remark
HL				
628	Hierarchical ID Number	M AN 1/12	M AN 1/12	
734	Hierarchical Parent ID Number	O AN 1/12	N	Not used
735	Hierarchical Level Code	M ID 1/2	M ID 1/2	S Shipment
736	Hierarchical Child Code	O ID 1/1	O ID 1/1	

Remark:

Example:

HL*1**S*0!

No = Consecutive segment number
 MaxOcc = Maximum occurrence of the segment/group
 Counter = Counter of segment/group within the standard

St = Status (M=Mandatory, R=Required, C=Conditional,
 O=Optional, F=Floating, D=Dependent, A=Advised,
 S=Situational, X=Not used, N=Not recommended)



Counter	No	Tag	St	MaxOcc	Level	Name
	0010	HL	M	1	1	Shipment Level
	0110	TD1	O	1	2	Carrier Details (Quantity and Weight)

		Standard	Implementation	
Tag	Name	St Format	St Format	Usage / Remark
TD1				
103	Packaging Code	O AN 3/5	O AN 3/5	BOX25 Box PLT71 Pallet
80	Lading Quantity	C N0 1/7	C N0 1/7	Number of Pallets/boxes for entire shipment
23	Commodity Code Qualifier	O ID 1/1	O ID 1/1	Not Used
22	Commodity Code	C AN 1/30	C AN 1/30	Not Used
79	Lading Description	O AN 1/50	O AN 1/50	Not Used
187	Weight Qualifier	O ID 1/2	O ID 1/2	G Gross Weight
81	Weight	C R 1/10	C R 1/10	Weight of the entire shipment in pounds
355	Unit or Basis for Measurement Code	C ID 2/2	C ID 2/2	LB Pound
183	Volume	C R 1/8	N	Not used
355	Unit or Basis for Measurement Code	C ID 2/2	N	Not used

Remark:

Example:

TD1*BOX*9****G*9*LB!

No = Consecutive segment number
 MaxOcc = Maximum occurrence of the segment/group
 Counter = Counter of segment/group within the standard

St = Status (M=Mandatory, R=Required, C=Conditional,
 O=Optional, F=Floating, D=Dependent, A=Advised,
 S=Situational, X=Not used, N=Not recommended)



Counter	No	Tag	St	MaxOcc	Level	Name
	0010	HL	M	1	1	Shipment Level
	0120	7 TD5	O	1	2	Carrier Details (Routing Sequence/Transit Time)

		Standard	Implementation	
Tag	Name	St Format	St Format	Usage / Remark
TD5				
133	Routing Sequence Code	O ID 1/2	O ID 1/2	Not Used
66	Identification Code Qualifier	C ID 1/2	C ID 1/2	2 Standard Carrier Alpha Code (SCAC)
67	Identification Code	C AN 2/80	C AN 2/80	SCAC Code
91	Transportation Method/Type Code	C ID 1/2	C ID 1/2	Not Used
387	Routing	C AN 1/35	C AN 1/35	Carrier Name
368	Shipment/Order Status Code	C ID 2/2	N	Not used
309	Location Qualifier	O ID 1/2	N	Not used
310	Location Identifier	C AN 1/30	N	Not used
731	Transit Direction Code	O ID 2/2	N	Not used
732	Transit Time Direction Qualifier	O ID 2/2	N	Not used
733	Transit Time	C R 1/4	N	Not used
284	Service Level Code	C ID 2/2	N	Not used
284	Service Level Code	C ID 2/2	N	Not used
284	Service Level Code	O ID 2/2	N	Not used
26	Country Code	O ID 2/3	N	Not used

Remark:

Example:

TD5**2*SCAC**Carrier Name!

No = Consecutive segment number
 MaxOcc = Maximum occurrence of the segment/group
 Counter = Counter of segment/group within the standard

St = Status (M=Mandatory, R=Required, C=Conditional,
 O=Optional, F=Floating, D=Dependent, A=Advised,
 S=Situational, X=Not used, N=Not recommended)



Counter	No	Tag	St	MaxOcc	Level	Name
0220		N1	M	1	2	SU-Supplier
0220	8	N1	M	1	2	Name

Standard			Implementation	
Tag	Name	St Format	St Format	Usage / Remark
N1				
98	Entity Identifier Code	M ID 2/3	M ID 2/3	SU Supplier/Manufacturer
93	Name	C AN 1/60	M AN 1/60	
66	Identification Code Qualifier	C ID 1/2	M ID 1/2	92 Assigned by Buyer or Buyer's Agent
67	Identification Code	C AN 2/80	M AN 2/80	SKF Code for the Supplier
706	Entity Relationship Code	O ID 2/2	N	Not used
98	Entity Identifier Code	O ID 2/3	N	Not used

Remark:
Mandatory

Example:
N1*SU*SU Name*92*SU ID Code!

No = Consecutive segment number
MaxOcc = Maximum occurrence of the segment/group
Counter = Counter of segment/group within the standard

St = Status (M=Mandatory, R=Required, C=Conditional,
O=Optional, F=Floating, D=Dependent, A=Advised,
S=Situational, X=Not used, N=Not recommended)



Counter	No	Tag	St	MaxOcc	Level	Name
0220		N1	M	1	2	SU-Supplier
0240	9	N3	O	2	3	Address Information

Standard			Implementation	
Tag	Name	St Format	St Format	Usage / Remark
N3				
166	Address Information	M AN 1/55	M AN 1/55	
166	Address Information	O AN 1/55	O AN 1/55	

Remark:

Optional

Example:

N3*SU Address 1*SU Address 2!

No = Consecutive segment number
 MaxOcc = Maximum occurrence of the segment/group
 Counter = Counter of segment/group within the standard

St = Status (M=Mandatory, R=Required, C=Conditional,
 O=Optional, F=Floating, D=Dependent, A=Advised,
 S=Situational, X=Not used, N=Not recommended)



Counter	No	Tag	St	MaxOcc	Level	Name
0220		N1	M	1	2	SU-Supplier
0250	10	N4	O	1	3	Geographic Location

		Standard	Implementation	
Tag	Name	St Format	St Format	Usage / Remark
N4				
19	City Name	O AN 2/30	O AN 2/30	
156	State or Province Code	O ID 2/2	O ID 2/2	
116	Postal Code	O ID 3/15	O ID 3/15	
26	Country Code	O ID 2/3	O ID 2/3	
309	Location Qualifier	C ID 1/2	N	Not used
310	Location Identifier	O AN 1/30	N	Not used

Remark:

Optional

Example:

N4*SU City*SU State/Province*SU Postal Code*SU Country Code!

No = Consecutive segment number
 MaxOcc = Maximum occurrence of the segment/group
 Counter = Counter of segment/group within the standard

St = Status (M=Mandatory, R=Required, C=Conditional,
 O=Optional, F=Floating, D=Dependent, A=Advised,
 S=Situational, X=Not used, N=Not recommended)



Counter	No	Tag	St	MaxOcc	Level	Name
0220		N1	M	1	2	BY-Buying Party
0220	11	N1	M	1	2	Name

Standard			Implementation	
Tag	Name	St Format	St Format	Usage / Remark
N1				
98	Entity Identifier Code	M ID 2/3	M ID 2/3	BY Buying Party (Purchaser)
93	Name	C AN 1/60	M AN 1/60	
66	Identification Code Qualifier	C ID 1/2	M ID 1/2	92 Assigned by Buyer or Buyer's Agent
67	Identification Code	C AN 2/80	M AN 2/80	SKF Buyer / Company Code
706	Entity Relationship Code	O ID 2/2	N	Not used
98	Entity Identifier Code	O ID 2/3	N	Not used

Remark:
Mandatory

Example:
N1*BY*BY Name*92*92 ID Code!

No = Consecutive segment number
 MaxOcc = Maximum occurrence of the segment/group
 Counter = Counter of segment/group within the standard

St = Status (M=Mandatory, R=Required, C=Conditional,
 O=Optional, F=Floating, D=Dependent, A=Advised,
 S=Situational, X=Not used, N=Not recommended)



Counter	No	Tag	St	MaxOcc	Level	Name
	0220	N1	M	1	2	BY-Buying Party
	0240 12	N3	O	2	3	Address Information

		Standard	Implementation	
Tag	Name	St Format	St Format	Usage / Remark
N3				
166	Address Information	M AN 1/55	M AN 1/55	
166	Address Information	O AN 1/55	O AN 1/55	

Remark:

Optional

Example:

N3*BY Address 1*BY Address 2!

No = Consecutive segment number
 MaxOcc = Maximum occurrence of the segment/group
 Counter = Counter of segment/group within the standard

St = Status (M=Mandatory, R=Required, C=Conditional,
 O=Optional, F=Floating, D=Dependent, A=Advised,
 S=Situational, X=Not used, N=Not recommended)



Counter	No	Tag	St	MaxOcc	Level	Name
	0220	N1	M	1	2	BY-Buying Party
	0250 13	N4	O	1	3	Geographic Location

		Standard	Implementation	
Tag	Name	St Format	St Format	Usage / Remark
N4				
19	City Name	O AN 2/30	O AN 2/30	
156	State or Province Code	O ID 2/2	O ID 2/2	
116	Postal Code	O ID 3/15	O ID 3/15	
26	Country Code	O ID 2/3	O ID 2/3	
309	Location Qualifier	C ID 1/2	N	Not used
310	Location Identifier	O AN 1/30	N	Not used

Remark:
Optional

Example:
N4*BY City*BY State/Province*BY Postal Code*BY Country Code!

No = Consecutive segment number
 MaxOcc = Maximum occurrence of the segment/group
 Counter = Counter of segment/group within the standard

St = Status (M=Mandatory, R=Required, C=Conditional,
 O=Optional, F=Floating, D=Dependent, A=Advised,
 S=Situational, X=Not used, N=Not recommended)



Counter	No	Tag	St	MaxOcc	Level	Name
0220		N1	O	1	2	SF-Ship From
0220	14	N1	M	1	2	Name

Standard			Implementation	
Tag	Name	St Format	St Format	Usage / Remark
N1				
98	Entity Identifier Code	M ID 2/3	M ID 2/3	SF Ship From
93	Name	C AN 1/60	C AN 1/60	
66	Identification Code Qualifier	C ID 1/2	C ID 1/2	92 Assigned by Buyer or Buyer's Agent
67	Identification Code	C AN 2/80	C AN 2/80	Code that uniquely identifies the supplier facility
706	Entity Relationship Code	O ID 2/2	N	Not used
98	Entity Identifier Code	O ID 2/3	N	Not used

Remark:

Example:

N1*SF*SF Name*92*SF ID Code!

No = Consecutive segment number
 MaxOcc = Maximum occurrence of the segment/group
 Counter = Counter of segment/group within the standard

St = Status (M=Mandatory, R=Required, C=Conditional,
 O=Optional, F=Floating, D=Dependent, A=Advised,
 S=Situational, X=Not used, N=Not recommended)



Counter	No	Tag	St	MaxOcc	Level	Name
0220		N1	O	1	2	SF-Ship From
0240	15	N3	O	2	3	Address Information

		Standard	Implementation	
Tag	Name	St Format	St Format	Usage / Remark
N3				
166	Address Information	M AN 1/55	M AN 1/55	
166	Address Information	O AN 1/55	O AN 1/55	

Remark:

Example:

N3*SF Address 1*SF Address 2!

No = Consecutive segment number
 MaxOcc = Maximum occurrence of the segment/group
 Counter = Counter of segment/group within the standard

St = Status (M=Mandatory, R=Required, C=Conditional,
 O=Optional, F=Floating, D=Dependent, A=Advised,
 S=Situational, X=Not used, N=Not recommended)



Counter	No	Tag	St	MaxOcc	Level	Name
	0220	N1	O	1	2	SF-Ship From
	0250	16 N4	O	1	3	Geographic Location

		Standard	Implementation	
Tag	Name	St Format	St Format	Usage / Remark
N4				
19	City Name	O AN 2/30	O AN 2/30	
156	State or Province Code	O ID 2/2	O ID 2/2	
116	Postal Code	O ID 3/15	O ID 3/15	
26	Country Code	O ID 2/3	O ID 2/3	
309	Location Qualifier	C ID 1/2	N	Not used
310	Location Identifier	O AN 1/30	N	Not used

Remark:

Example:

N4*SF City*SF State/Province*SF Postal Code*SF Country Code!

No = Consecutive segment number
 MaxOcc = Maximum occurrence of the segment/group
 Counter = Counter of segment/group within the standard

St = Status (M=Mandatory, R=Required, C=Conditional,
 O=Optional, F=Floating, D=Dependent, A=Advised,
 S=Situational, X=Not used, N=Not recommended)



Counter	No	Tag	St	MaxOcc	Level	Name
0220		N1	M	1	2	ST-Ship To
0220	17	N1	M	1	2	Name

Standard			Implementation	
Tag	Name	St Format	St Format	Usage / Remark
N1				
98	Entity Identifier Code	M ID 2/3	M ID 2/3	ST Ship To
93	Name	C AN 1/60	M AN 1/60	
66	Identification Code Qualifier	C ID 1/2	M ID 1/2	92 Assigned by Buyer or Buyer's Agent
67	Identification Code	C AN 2/80	M AN 2/80	SKF Facility Code
706	Entity Relationship Code	O ID 2/2	N	Not used
98	Entity Identifier Code	O ID 2/3	N	Not used

Remark:
Mandatory

Example:
N1*ST*ST Name*92*ST ID Code!

No = Consecutive segment number
 MaxOcc = Maximum occurrence of the segment/group
 Counter = Counter of segment/group within the standard

St = Status (M=Mandatory, R=Required, C=Conditional,
 O=Optional, F=Floating, D=Dependent, A=Advised,
 S=Situational, X=Not used, N=Not recommended)



Counter	No	Tag	St	MaxOcc	Level	Name
	0220	N1	M	1	2	ST-Ship To
	0240 18	N3	O	2	3	Address Information

Standard			Implementation	
Tag	Name	St Format	St Format	Usage / Remark
N3				
166	Address Information	M AN 1/55	M AN 1/55	
166	Address Information	O AN 1/55	O AN 1/55	

Remark:

Optional

Example:

N3*ST Address 1*ST Address 2!

No = Consecutive segment number
 MaxOcc = Maximum occurrence of the segment/group
 Counter = Counter of segment/group within the standard

St = Status (M=Mandatory, R=Required, C=Conditional,
 O=Optional, F=Floating, D=Dependent, A=Advised,
 S=Situational, X=Not used, N=Not recommended)



Counter	No	Tag	St	MaxOcc	Level	Name
	0220	N1	M	1	2	ST-Ship To
	0250	19 N4	O	1	3	Geographic Location

		Standard	Implementation	
Tag	Name	St Format	St Format	Usage / Remark
N4				
19	City Name	O AN 2/30	O AN 2/30	
156	State or Province Code	O ID 2/2	O ID 2/2	
116	Postal Code	O ID 3/15	O ID 3/15	
26	Country Code	O ID 2/3	O ID 2/3	
309	Location Qualifier	C ID 1/2	N	Not used
310	Location Identifier	O AN 1/30	N	Not used

Remark:
Optional

Example:
N4*ST City*ST State/Province*ST Postal Code*ST Country Code!

No = Consecutive segment number
 MaxOcc = Maximum occurrence of the segment/group
 Counter = Counter of segment/group within the standard

St = Status (M=Mandatory, R=Required, C=Conditional,
 O=Optional, F=Floating, D=Dependent, A=Advised,
 S=Situational, X=Not used, N=Not recommended)



Counter	No	Tag	St	MaxOcc	Level	Name
0220		N1	M	1	2	ST-Ship To
0260	20	REF	O	1	3	Channel Code

Standard			Implementation	
Tag	Name	St Format	St Format	Usage / Remark
REF				
128	Reference Identification Qualifier	M ID 2/3	M ID 2/3	DK Dock Number
127	Reference Identification	C AN 1/30	C AN 1/30	Channel Code
352	Description	C AN 1/80	N	Not used
C040	Reference Identifier	O	N	
128	Reference Identification Qualifier	M ID 2/3	N	Not used
127	Reference Identification	M AN 1/30	N	Not used
128	Reference Identification Qualifier	C ID 2/3	N	Not used
127	Reference Identification	C AN 1/30	N	Not used
128	Reference Identification Qualifier	C ID 2/3	N	Not used
127	Reference Identification	C AN 1/30	N	Not used

Remark:

Example:

REF*DK*Channel Code!

No = Consecutive segment number
 MaxOcc = Maximum occurrence of the segment/group
 Counter = Counter of segment/group within the standard

St = Status (M=Mandatory, R=Required, C=Conditional,
 O=Optional, F=Floating, D=Dependent, A=Advised,
 S=Situational, X=Not used, N=Not recommended)



Counter	No	Tag	St	MaxOcc	Level	Name
0220		N1	M	1	2	ST-Ship To
0260	21	REF	O	1	3	Internal Delivery Address

Standard			Implementation	
Tag	Name	St Format	St Format	Usage / Remark
REF				
128	Reference Identification Qualifier	M ID 2/3	M ID 2/3	LF Assembly Line Feed Location
127	Reference Identification	C AN 1/30	C AN 1/30	Internal Delivery Address
352	Description	C AN 1/80	N	Not used
C040	Reference Identifier	O	N	
128	Reference Identification Qualifier	M ID 2/3	N	Not used
127	Reference Identification	M AN 1/30	N	Not used
128	Reference Identification Qualifier	C ID 2/3	N	Not used
127	Reference Identification	C AN 1/30	N	Not used
128	Reference Identification Qualifier	C ID 2/3	N	Not used
127	Reference Identification	C AN 1/30	N	Not used

Remark:

Example:

REF*LF*Internal Delivery Address!

No = Consecutive segment number
 MaxOcc = Maximum occurrence of the segment/group
 Counter = Counter of segment/group within the standard

St = Status (M=Mandatory, R=Required, C=Conditional,
 O=Optional, F=Floating, D=Dependent, A=Advised,
 S=Situational, X=Not used, N=Not recommended)



Counter	No	Tag	St	MaxOcc	Level	Name
0010		HL	M	200000	1	Order Level
0010	22	HL	M	1	1	Hierarchical Level

Standard			Implementation	
Tag	Name	St Format	St Format	Usage / Remark
HL				
628	Hierarchical ID Number	M AN 1/12	M AN 1/12	
734	Hierarchical Parent ID Number	O AN 1/12	O AN 1/12	Number from HL-S
735	Hierarchical Level Code	M ID 1/2	M ID 1/2	O Order
736	Hierarchical Child Code	O ID 1/1	O ID 1/1	

Remark:

Example:

HL*2*1*O*0!

No = Consecutive segment number
 MaxOcc = Maximum occurrence of the segment/group
 Counter = Counter of segment/group within the standard

St = Status (M=Mandatory, R=Required, C=Conditional,
 O=Optional, F=Floating, D=Dependent, A=Advised,
 S=Situational, X=Not used, N=Not recommended)



Counter	No	Tag	St	MaxOcc	Level	Name
	0010	HL	M	200000	1	Order Level
	0050	23 PRF	O	1	2	Purchase Order Reference

Standard			Implementation	
Tag	Name	St Format	St Format	Usage / Remark
PRF				
324	Purchase Order Number	M AN 1/22	M AN 1/22	
328	Release Number	O AN 1/30	O AN 1/30	Not Used
327	Change Order Sequence Number	O AN 1/8	O AN 1/8	Not Used
373	Date	O DT 8/8	O DT 8/8	PO Date (CCYYMMDD)
350	Assigned Identification	O AN 1/20	N	Not used
367	Contract Number	O AN 1/30	N	Not used
92	Purchase Order Type Code	O ID 2/2	N	Not used

Remark:

Example:

PRF*PO Number***20120615!

No = Consecutive segment number
 MaxOcc = Maximum occurrence of the segment/group
 Counter = Counter of segment/group within the standard

St = Status (M=Mandatory, R=Required, C=Conditional,
 O=Optional, F=Floating, D=Dependent, A=Advised,
 S=Situational, X=Not used, N=Not recommended)



Counter	No	Tag	St	MaxOcc	Level	Name
0010		HL	M	200000	1	Item Level
0010	24	HL	M	1	1	Hierarchical Level

Standard			Implementation	
Tag	Name	St Format	St Format	Usage / Remark
HL				
628	Hierarchical ID Number	M AN 1/12	M AN 1/12	
734	Hierarchical Parent ID Number	O AN 1/12	O AN 1/12	Number from HL-O
735	Hierarchical Level Code	M ID 1/2	M ID 1/2	I Item
736	Hierarchical Child Code	O ID 1/1	O ID 1/1	

Remark:

Example:

HL*3*2*I*0!

No = Consecutive segment number
 MaxOcc = Maximum occurrence of the segment/group
 Counter = Counter of segment/group within the standard

St = Status (M=Mandatory, R=Required, C=Conditional,
 O=Optional, F=Floating, D=Dependent, A=Advised,
 S=Situational, X=Not used, N=Not recommended)



Counter	No	Tag	St	MaxOcc	Level	Name
	0010	HL	M	200000	1	Item Level
	0020	LIN	O	1	2	Item Identification

Standard			Implementation	
Tag	Name	St Format	St Format	Usage / Remark
LIN				
350	Assigned Identification	O AN 1/20	O AN 1/20	Purchase Order Line Number
235	Product/Service ID Qualifier	M ID 2/2	M ID 2/2	BP and VP are required BP Buyer's Part Number VP Vendor's (Seller's) Part Number CH Country of Origin Code DR Drawing Revision Number LT Lot Number PD Part Number Description
234	Product/Service ID	M AN 1/48	M AN 1/48	
235	Product/Service ID Qualifier	C ID 2/2	C ID 2/2	BP and VP are required BP Buyer's Part Number VP Vendor's (Seller's) Part Number CH Country of Origin Code DR Drawing Revision Number LT Lot Number PD Part Number Description
234	Product/Service ID	C AN 1/48	C AN 1/48	
235	Product/Service ID Qualifier	C ID 2/2	C ID 2/2	BP Buyer's Part Number VP Vendor's (Seller's) Part Number CH Country of Origin Code DR Drawing Revision Number LT Lot Number PD Part Number Description
234	Product/Service ID	C AN 1/48	C AN 1/48	
235	Product/Service ID Qualifier	C ID 2/2	C ID 2/2	CH Country of Origin Code VP Vendor's (Seller's) Part Number BP Buyer's Part Number DR Drawing Revision Number LT Lot Number PD Part Number Description
234	Product/Service ID	C AN 1/48	C AN 1/48	
235	Product/Service ID Qualifier	C ID 2/2	C ID 2/2	CH Country of Origin Code VP Vendor's (Seller's) Part Number BP Buyer's Part Number DR Drawing Revision Number LT Lot Number PD Part Number Description
234	Product/Service ID	C AN 1/48	C AN 1/48	
235	Product/Service ID Qualifier	C ID 2/2	C ID 2/2	CH Country of Origin Code VP Vendor's (Seller's) Part Number BP Buyer's Part Number DR Drawing Revision Number LT Lot Number PD Part Number Description
234	Product/Service ID	C AN 1/48	C AN 1/48	
235	Product/Service ID Qualifier	C ID 2/2	N	Not used

No = Consecutive segment number
 MaxOcc = Maximum occurrence of the segment/group
 Counter = Counter of segment/group within the standard

St = Status (M=Mandatory, R=Required, C=Conditional,
 O=Optional, F=Floating, D=Dependent, A=Advised,
 S=Situational, X=Not used, N=Not recommended)



		Standard		Implementation	
Tag	Name	St Format	St Format	Usage / Remark	
234	Product/Service ID	C AN 1/48	N	Not used	
235	Product/Service ID Qualifier	C ID 2/2	N	Not used	
234	Product/Service ID	C AN 1/48	N	Not used	
235	Product/Service ID Qualifier	C ID 2/2	N	Not used	
234	Product/Service ID	C AN 1/48	N	Not used	
235	Product/Service ID Qualifier	C ID 2/2	N	Not used	
234	Product/Service ID	C AN 1/48	N	Not used	
235	Product/Service ID Qualifier	C ID 2/2	N	Not used	
234	Product/Service ID	C AN 1/48	N	Not used	
235	Product/Service ID Qualifier	C ID 2/2	N	Not used	
234	Product/Service ID	C AN 1/48	N	Not used	
235	Product/Service ID Qualifier	C ID 2/2	N	Not used	
234	Product/Service ID	C AN 1/48	N	Not used	
235	Product/Service ID Qualifier	C ID 2/2	N	Not used	
234	Product/Service ID	C AN 1/48	N	Not used	
235	Product/Service ID Qualifier	C ID 2/2	N	Not used	
234	Product/Service ID	C AN 1/48	N	Not used	
235	Product/Service ID Qualifier	C ID 2/2	N	Not used	
234	Product/Service ID	C AN 1/48	N	Not used	

Remark:

Example:

LIN*Line Number*BP*Buyer's Nbr*VP*Vendors Part Nbr*CH*Country of Origin*DR*Drawing/Revision Nbr
 *LT*Lot Number*PD*Part Description!

No = Consecutive segment number
 MaxOcc = Maximum occurrence of the segment/group
 Counter = Counter of segment/group within the standard

St = Status (M=Mandatory, R=Required, C=Conditional,
 O=Optional, F=Floating, D=Dependent, A=Advised,
 S=Situational, X=Not used, N=Not recommended)



Counter	No	Tag	St	MaxOcc	Level	Name	
	0010	HL	M	200000	1	Item Level	
	0030	26	SN1	O	1	2	Item Detail (Shipment)

Standard			Implementation	
Tag	Name	St Format	St Format	Usage / Remark
SN1				
350	Assigned Identification	O AN 1/20	O AN 1/20	Not Used
382	Number of Units Shipped	M R 1/10	M R 1/10	
355	Unit or Basis for Measurement Code	M ID 2/2	M ID 2/2	EA Each
646	Quantity Shipped to Date	O R 1/15	N	Not used
330	Quantity Ordered	C R 1/15	N	Not used
355	Unit or Basis for Measurement Code	C ID 2/2	N	Not used
728	Returnable Container Load Make-Up Code	O ID 1/2	N	Not used
668	Line Item Status Code	O ID 2/2	N	Not used

Remark:

Example:

SN1**9*EA!

No = Consecutive segment number
 MaxOcc = Maximum occurrence of the segment/group
 Counter = Counter of segment/group within the standard

St = Status (M=Mandatory, R=Required, C=Conditional,
 O=Optional, F=Floating, D=Dependent, A=Advised,
 S=Situational, X=Not used, N=Not recommended)



Counter	No	Tag	St	MaxOcc	Level	Name
0010		HL	M	200000	1	Item Level
0150	27	REF	O	1	2	Vendor Order Number

Standard			Implementation	
Tag	Name	St Format	St Format	Usage / Remark
REF				
128	Reference Identification Qualifier	M ID 2/3	M ID 2/3	VN Vendor Order Number
127	Reference Identification	C AN 1/30	C AN 1/30	
352	Description	C AN 1/80	N	Not used
C040	Reference Identifier	O	N	
128	Reference Identification Qualifier	M ID 2/3	N	Not used
127	Reference Identification	M AN 1/30	N	Not used
128	Reference Identification Qualifier	C ID 2/3	N	Not used
127	Reference Identification	C AN 1/30	N	Not used
128	Reference Identification Qualifier	C ID 2/3	N	Not used
127	Reference Identification	C AN 1/30	N	Not used

Remark:

Example:

REF*VN*Vendor Order Number!

No = Consecutive segment number
 MaxOcc = Maximum occurrence of the segment/group
 Counter = Counter of segment/group within the standard

St = Status (M=Mandatory, R=Required, C=Conditional,
 O=Optional, F=Floating, D=Dependent, A=Advised,
 S=Situational, X=Not used, N=Not recommended)



Counter	No	Tag	St	MaxOcc	Level	Name	
	0010	HL	M	200000	1	Item Level	
	0150	28	REF	O	1	2	Sellers Line Number

Standard			Implementation	
Tag	Name	St Format	St Format	Usage / Remark
REF				
128	Reference Identification Qualifier	M ID 2/3	M ID 2/3	LI Line Item Identifier (Seller's)
127	Reference Identification	C AN 1/30	C AN 1/30	
352	Description	C AN 1/80	N	Not used
C040	Reference Identifier	O	N	
128	Reference Identification Qualifier	M ID 2/3	N	Not used
127	Reference Identification	M AN 1/30	N	Not used
128	Reference Identification Qualifier	C ID 2/3	N	Not used
127	Reference Identification	C AN 1/30	N	Not used
128	Reference Identification Qualifier	C ID 2/3	N	Not used
127	Reference Identification	C AN 1/30	N	Not used

Remark:

Example:

REF*LI*Sellers Line Number!

No = Consecutive segment number
 MaxOcc = Maximum occurrence of the segment/group
 Counter = Counter of segment/group within the standard

St = Status (M=Mandatory, R=Required, C=Conditional,
 O=Optional, F=Floating, D=Dependent, A=Advised,
 S=Situational, X=Not used, N=Not recommended)



Counter	No	Tag	St	MaxOcc	Level	Name
0170		CLD	O	200	2	Packaging Loop
0170	29	CLD	M	1	2	Load Detail

Standard			Implementation	
Tag	Name	St Format	St Format	Usage / Remark
CLD				
622	Number of Loads	M N0 1/5	M N0 1/5	Number of Containers for this Item
382	Number of Units Shipped	M R 1/10	M R 1/10	Quantity per container
103	Packaging Code	O AN 3/5	O AN 3/5	Should be same as TD101 BOX25 Box PLT71 Pallet
357	Size	C R 1/8	N	Not used
355	Unit or Basis for Measurement Code	O ID 2/2	N	Not used

Remark:

Example:

CLD*9*1*BOX!

No = Consecutive segment number
 MaxOcc = Maximum occurrence of the segment/group
 Counter = Counter of segment/group within the standard

St = Status (M=Mandatory, R=Required, C=Conditional,
 O=Optional, F=Floating, D=Dependent, A=Advised,
 S=Situational, X=Not used, N=Not recommended)



Counter	No	Tag	St	MaxOcc	Level	Name	
	0170	CLD	O	200	2	Packaging Loop	
	0180	30	REF	O	200	3	Reference Identification

		Standard	Implementation	
Tag	Name	St Format	St Format	Usage / Remark
REF				
128	Reference Identification Qualifier	M ID 2/3	M ID 2/3	SE Serial Number
127	Reference Identification	C AN 1/30	C AN 1/30	Serial Number
352	Description	C AN 1/80	N	Not used
C040	Reference Identifier	O	N	
128	Reference Identification Qualifier	M ID 2/3	N	Not used
127	Reference Identification	M AN 1/30	N	Not used
128	Reference Identification Qualifier	C ID 2/3	N	Not used
127	Reference Identification	C AN 1/30	N	Not used
128	Reference Identification Qualifier	C ID 2/3	N	Not used
127	Reference Identification	C AN 1/30	N	Not used

Remark:

Example:

REF*SE*Serial Nnbr!

No = Consecutive segment number
 MaxOcc = Maximum occurrence of the segment/group
 Counter = Counter of segment/group within the standard

St = Status (M=Mandatory, R=Required, C=Conditional,
 O=Optional, F=Floating, D=Dependent, A=Advised,
 S=Situational, X=Not used, N=Not recommended)



Counter	No	Tag	St	MaxOcc	Level	Name
---------	----	-----	----	--------	-------	------

0010 31 **CTT** O 1 0 Transaction Totals

		Standard	Implementation	
Tag	Name	St Format	St Format	Usage / Remark
CTT				
354	Number of Line Items	M N0 1/6	M N0 1/6	Total number of LIN segments
347	Hash Total	O R 1/10	O R 1/10	Sum of UNITS Shipped in SN102
81	Weight	C R 1/10	N	Not used
355	Unit or Basis for Measurement Code	C ID 2/2	N	Not used
183	Volume	C R 1/8	N	Not used
355	Unit or Basis for Measurement Code	C ID 2/2	N	Not used
352	Description	O AN 1/80	N	Not used

Remark:

Example:

CTT*9*9!

No = Consecutive segment number
 MaxOcc = Maximum occurrence of the segment/group
 Counter = Counter of segment/group within the standard

St = Status (M=Mandatory, R=Required, C=Conditional,
 O=Optional, F=Floating, D=Dependent, A=Advised,
 S=Situational, X=Not used, N=Not recommended)



Counter	No	Tag	St	MaxOcc	Level	Name
---------	----	-----	----	--------	-------	------

0020	32	SE	M	1	0	Transaction Set Trailer
------	----	-----------	---	---	---	-------------------------

Standard			Implementation	
Tag	Name	St Format	St Format	Usage / Remark
SE				
96	Number of Included Segments	M N0 1/10	M N0 1/10	
329	Transaction Set Control Number	M AN 4/9	M AN 4/9	

Remark:

Example:

SE*58*XXXX!

No = Consecutive segment number
 MaxOcc = Maximum occurrence of the segment/group
 Counter = Counter of segment/group within the standard

St = Status (M=Mandatory, R=Required, C=Conditional,
 O=Optional, F=Floating, D=Dependent, A=Advised,
 S=Situational, X=Not used, N=Not recommended)