



EDI Implementation Documentation

ORDERS

Purchase order message

EDIFACT D.03A

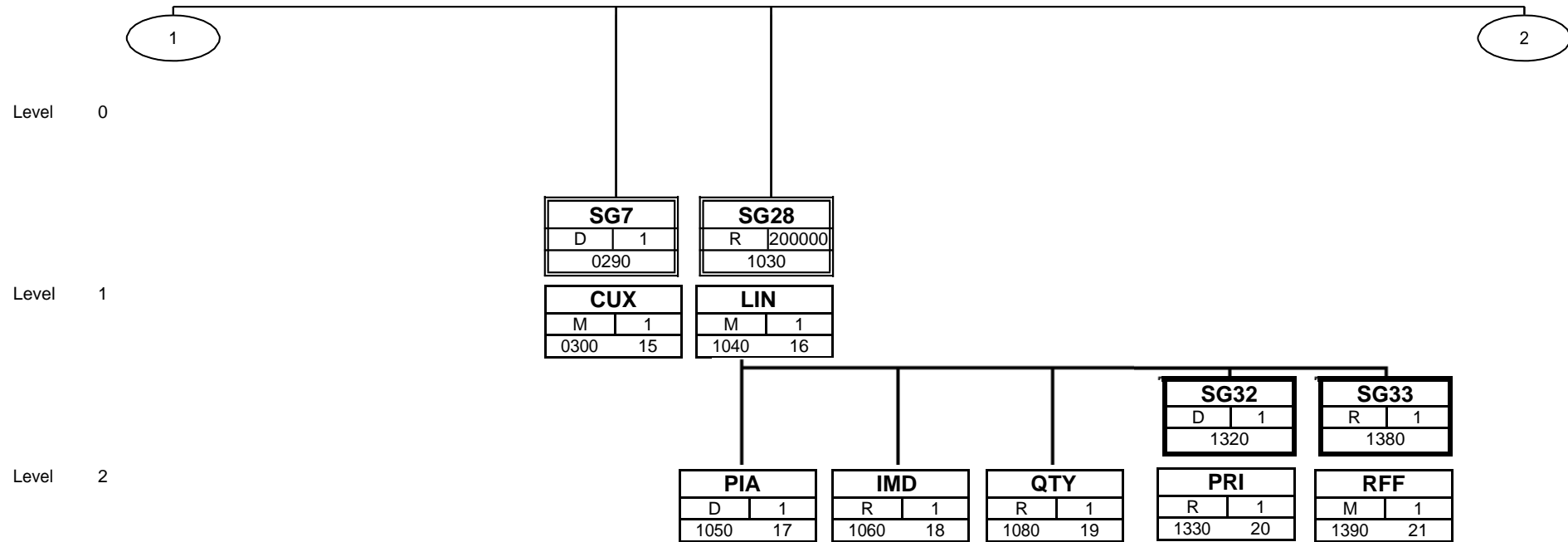
Version 1.0
Issue date 2016-04-20



UN/EDIFACT Message: Structure / Table of contents

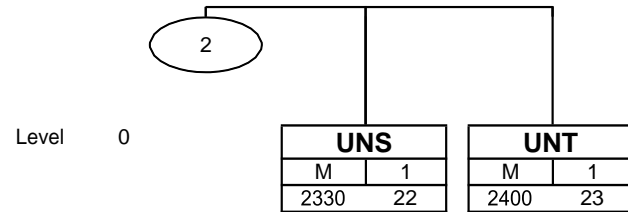
Counter	No.	Tag	St	MaxOcc	Level	Content
0010	01	UNH	M	1	0	Message header
0020	02	BGM	M	1	0	Beginning of message
0030	03	DTM	M	1	1	Document Date/Time
0070	04	FTX	D	1	1	Free text
0090		SG1	R	9999		Original purchase order
0100	05	RFF	M	1	1	Reference
0090		SG1	R	9999		Customer reference number
0100	06	RFF	D	1	1	Reference
0120		SG2	R	1		Buyer
0130	07	NAD	M	1	1	Buyer
0120		SG2	R	1		Seller
0130	08	NAD	M	1	1	Seller
0120		SG2	R	1		Consignee
0130	09	NAD	M	1	1	Consignee
0290		SG7	D	1		Order currency
0300	10	CUX	M	1	1	Currencies
1030		SG28	R	2000		Line item section
1040	11	LIN	M	1	1	Line item
1050	12	PIA	D	1	2	Additional article identifier
1060	13	IMD	R	1	2	Item description
1080	14	QTY	R	1	2	Quantity
1320		SG32	D	1		PRI
1330	15	PRI	R	1	2	Price details
1380		SG33	R	1		RFF
1390	16	RFF	M	1	2	Order line number
2330	17	UNS	M	1	0	Section control
2400	18	UNT	M	1	0	Message trailer

UN/EDIFACT Message: Branching diagram of used segments and segment groups



< apper >

UN/EDIFACT Message: Branching diagram of used segments and segment groups



UN/EDIFACT Message: Segment details

Segment: UNH
 Seq. No.: 1 Level: 0 **Message header**
 Status: M Max. Occ.: 1
 Counter: 0010

Name: Message header

Description of segment:

UN/EDIFACT			Implementation	
	Name	St Format	St Format	Use / Remarks
UNH				
0062	Message reference number	M an..14	M an..14	
S009	Message identifier	M	M	
0065	Message type	M an..6	M an..6	ORDERS
0052	Message version number	M an..3	M an..3	D
0054	Message release number	M an..3	M an..3	03A
0051	Controlling agency	M an..2	M an..2	
				UN = UN/CEFACT
0057	Association assigned code	C an..6	N	not used
0068	Common access reference	C an..35	R an..35	not used
S010	Status of the transfer	C	N	not used
0070	Sequence of transfers	M n..2	N	not used
0073	First and last transfer	C a1	N	not used

Remark:

Example:

UNH+10045+ORDERS:D:03A:UN'

UN/EDIFACT Message: Segment details

Segment: BGM
 Seq. No.: 2 Level: 0 **Beginning of message**
 Status: M Max. Occ.: 1
 Counter: 0020

Name: Beginning of message

Description of segment:

UN/EDIFACT			Implementation	
	Name	St Format	St Format	Use / Remarks
BGM				
C002	Document/message name	C	C	
1001	Document name code	C an..3	R an..3	220 = Order
1131	Code list identification code	C an..17	N	not used
3055	Code list responsible agency code	C an..3	N	not used
1000	Document name	C an..35	N	not used
C106	Document/message identification	C	R	
1004	Document identifier	C an..35	R an..35	Order number
1056	Version identifier	C an..9	N	not used
1060	Revision identifier	C an..6	N	not used
1225	Message function code	C an..3	R an..3	
4343	Response type code	C an..3	R an..3	9 = Original When AC an ORDRSP is expected for each ORDER When US an ORDRSP is expected when there is any kind of deviation from normal as for example: Back order, Price error, Substituted part, etc. AC = Acknowledge - with detail and change NA = No acknowledgement needed US = Acknowledgement when error

Remark:

Example:

BGM+220+296246123243+9+AC'

UN/EDIFACT Message: Segment details

Segment: **DTM**
 Seq. No.: 3 Level: 1 **Date/time/period**
 Status: M Max. Occ.: 1
 Counter: 0030

Name: **Document Date/Time**

Description of segment:

UN/EDIFACT			Implementation	
	Name	St Format	St Format	Use / Remarks
DTM				
C507	Date/time/period	M	M	
2005	Date or time or period function code qualifier	M an..3	M an..3	
2380	Date or time or period text	C an..35	R an..35	137 = Document/message date/time Date and time as the code below indicate
2379	Date or time or period format code	C an..3	R an..3	
				102 = CCYYMMDD

Remark:

Example:

DTM+137:20050430:102'

UN/EDIFACT Message: Segment details

Segment: FTX
 Seq. No.: 4 Level: 1 **Free text**
 Status: D Max. Occ.: 1
 Counter: 0070

Name: Free text

Description of segment:

UN/EDIFACT			Implementation	
	Name	St Format	St Format	Use / Remarks
FTX				
4451	Text subject code qualifier	M an..3	M an..3	ACB = Additional information
4453	Free text function code	C an..3	N	not used
C107	Text reference	C	N	not used
4441	Free text description code	M an..17	N	not used
1131	Code list identification code	C an..17	N	not used
3055	Code list responsible agency code	C an..3	N	not used
C108	Text literal	C	M	
4440	Free text	M an..512	M 70	A line of plain, non-structured text information.
4440	Free text	C an..512	N	not used
4440	Free text	C an..512	N	not used
4440	Free text	C an..512	N	not used
4440	Free text	C an..512	N	not used
3453	Language name code	C an..3	N	not used
4447	Free text format code	C an..3	N	not used

Remark:
Used after agreement.

Example:
`FTX+ACB+++Additional information'`



UN/EDIFACT Message: Segment details

Group: **SG1** Status: R Max. Occ.: 9999 Original Purchase order

Segment: **RFF** Seq. No.: 5 Level: 1 **Reference**
Status: M Max. Occ.: 1
Counter: 0100

Name: Reference

Description of segment:

UN/EDIFACT			Implementation	
	Name	St Format	St Format	Use / Remarks
RFF				
C506	Reference	M	M	
1153	Reference code qualifier	M an..3	R an..3	
1154	Reference identifier	C an..70	R an..70	OP = Original purchase order Customer order number.
1156	Document line identifier	C an..6	N	not used
4000	Reference version identifier	C an..35	N	not used
1060	Revision identifier	C an..6	N	not used

Remark:

Customer order number created by Buyer and provided to Dealer as reference.

Example:

RFF+OP:SE000001691002'



UN/EDIFACT Message: Segment details

Group: **SG1** Status: R Max. Occ.: 9999 Customer reference number

Segment: **RFF** Seq. No.: 6 Level: 1 **Reference**
Status: D Max. Occ.: 1
Counter: 0100

Name: Reference

Description of segment:

UN/EDIFACT			Implementation	
	Name	St Format	St Format	Use / Remarks
RFF				
C506	Reference	M	M	
1153	Reference code qualifier	M an..3	R an..3	
				CR = Customer reference number
1154	Reference identifier	C an..70	R an..70	Customer reference number
1156	Document line identifier	C an..6	N	not used
4000	Reference version identifier	C an..35	N	not used
1060	Revision identifier	C an..6	N	not used

Remark:

Customer reference number provided by the Dealer as reference.

Example:

RFF+CR:1045386734'



UN/EDIFACT Message: Segment details

Group: **SG2** Status: R Max. Occ.: 1 Buyer

Segment: **NAD** Seq. No.: 7 Level: 1 **Name and address**
 Status: M Max. Occ.: 1
 Counter: 0130

Name: **Buyer**

Description of segment:

UN/EDIFACT			Implementation	
	Name	St Format	St Format	Use / Remarks
NAD				
3035	Party function code qualifier	M an..3	M an..3	BY = Buyer
C082	Party identification details	C	R	
3039	Party identifier	M an..35	M an..35	Buyer's Identification Number (Parma)
1131	Code list identification code	C an..17	N	not used
3055	Code list responsible agency code	C an..3	R an..3	
				92 = Assigned by buyer or buyer's agent
C058	Name and address	C	N	not used
3124	Name and address description	M an..35	N	not used
3124	Name and address description	C an..35	N	not used
3124	Name and address description	C an..35	N	not used
3124	Name and address description	C an..35	N	not used
3124	Name and address description	C an..35	N	not used
C080	Party name	C	R	Required in the new EU Invoice directive
3036	Party name	M an..35	M an..35	Buyer's Name
3036	Party name	C an..35	D an..35	see 3036 # 1
3036	Party name	C an..35	N	not used
3036	Party name	C an..35	N	not used
3036	Party name	C an..35	N	not used
3045	Party name format code	C an..3	N	not used
C059	Street	C	D	Required in the new EU Invoice directive
3042	Street and number or post office box identifier	M an..35	M an..35	Buyer's Street
3042	Street and number or post office box identifier	C an..35	D an..35	see 3042 # 1
3042	Street and number or post office box identifier	C an..35	N	not used
3042	Street and number or post office box identifier	C an..35	N	not used
3164	City name	C an..35	R an..35	Required in the new EU Invoice directive Buyer's City
C819	Country sub-entity details	C	D	
3229	Country sub-entity name code	C an..9	D an..9	
1131	Code list identification code	C an..17	N	not used
3055	Code list responsible agency code	C an..3	N	not used
3228	Country sub-entity name	C an..70	N	not used
3251	Postal identification code	C an..17	R an..17	Buyer's Post code



UN/EDIFACT Message: Segment details

UN/EDIFACT			Implementation	
	Name	St Format	St Format	Use / Remarks
3207	Country name code	C an..3	R an..2	Buyer's Country code Provides the country part of an address using a code. Use ISO 3166 two alpha code.

Remark:

Example:

NAD+BY+1001::92++SWE BUYER AB++GOTHENBURG++405 08+SE



UN/EDIFACT Message: Segment details

Group: **SG2** Status: R Max. Occ.: 1 Seller

Segment: **NAD** Seq. No.: 8 Level: 1 **Name and address**
 Status: M Max. Occ.: 1
 Counter: 0130

Name: **Seller**

Description of segment:

UN/EDIFACT			Implementation	
	Name	St Format	St Format	Use / Remarks
NAD				
3035	Party function code qualifier	M an..3	M an..3	SE - party selling merchandise to a buyer. SE = Seller
C082	Party identification details	C	R	
3039	Party identifier	M an..35	M an..35	Required in the new EU Invoice directive
1131	Code list identification code	C an..17	N	not used
3055	Code list responsible agency code	C an..3	R an..3	
				92 = Assigned by buyer or buyer's agent
C058	Name and address	C	N	not used
3124	Name and address description	M an..35	N	not used
3124	Name and address description	C an..35	N	not used
3124	Name and address description	C an..35	N	not used
3124	Name and address description	C an..35	N	not used
3124	Name and address description	C an..35	N	not used
C080	Party name	C	R	Required in the new EU Invoice directive
3036	Party name	M an..35	M an..35	
3036	Party name	C an..35	D an..35	see 3036 # 1
3036	Party name	C an..35	N	not used
3036	Party name	C an..35	N	not used
3036	Party name	C an..35	N	not used
3045	Party name format code	C an..3	N	not used
C059	Street	C	D	
3042	Street and number or post office box identifier	M an..35	M an..35	Seller's Street
3042	Street and number or post office box identifier	C an..35	D an..35	see 3042 # 1
3042	Street and number or post office box identifier	C an..35	N	not used
3042	Street and number or post office box identifier	C an..35	N	not used
3164	City name	C an..35	R an..35	Seller's City Name
C819	Country sub-entity details	C	D	
3229	Country sub-entity name code	C an..9	D an..9	
1131	Code list identification code	C an..17	N	not used
3055	Code list responsible agency code	C an..3	N	not used
3228	Country sub-entity name	C an..70	N	not used
3251	Postal identification code	C an..17	R an..17	Seller's Postcode



UN/EDIFACT Message: Segment details

UN/EDIFACT			Implementation	
	Name	St Format	St Format	Use / Remarks
3207	Country name code	C an..3	R an..3	Seller's Country code Provides the country part of an address using a code. Use ISO 3166 two alpha code.

Remark:

Example:

NAD+SE+121212::92++SWE SELLER AB+KORSVÄGEN 1201+GOTHENBURG++41210+SE'



UN/EDIFACT Message: Segment details

Group: SG2 Status: R Max. Occ.: 1 Consignee

Segment: NAD Seq. No.: 9 Level: 1 **Name and address**
 Status: M Max. Occ.: 1
 Counter: 0130

Name: **Consignee**

Description of segment:

UN/EDIFACT			Implementation	
	Name	St Format	St Format	Use / Remarks
NAD				
3035	Party function code qualifier	M an..3	M an..3	CN = Consignee
C082	Party identification details	C	M	
3039	Party identifier	M an..35	M an..35	
1131	Code list identification code	C an..17	N	not used
3055	Code list responsible agency code	C an..3	R an..3	
				92 = Assigned by buyer or buyer's agent
C058	Name and address	C	N	not used
3124	Name and address description	M an..35	N	not used
3124	Name and address description	C an..35	N	not used
3124	Name and address description	C an..35	N	not used
3124	Name and address description	C an..35	N	not used
3124	Name and address description	C an..35	N	not used
C080	Party name	C	R	
3036	Party name	M an..35	M an..35	Consignee Name
3036	Party name	C an..35	D an..35	see 3036 # 1
3036	Party name	C an..35	N	not used
3036	Party name	C an..35	N	not used
3036	Party name	C an..35	N	not used
3045	Party name format code	C an..3	N	not used
C059	Street	C	D	
3042	Street and number or post office box identifier	M an..35	M an..35	Consignee Street
3042	Street and number or post office box identifier	C an..35	D an..35	see 3042 # 1
3042	Street and number or post office box identifier	C an..35	N	not used
3042	Street and number or post office box identifier	C an..35	N	not used
3164	City name	C an..35	R an..35	Consignee City Name
C819	Country sub-entity details	C	D	
3229	Country sub-entity name code	C an..9	D an..9	
1131	Code list identification code	C an..17	N	not used
3055	Code list responsible agency code	C an..3	N	not used
3228	Country sub-entity name	C an..70	N	not used
3251	Postal identification code	C an..17	R an..17	Consignee Postcode



UN/EDIFACT Message: Segment details

UN/EDIFACT			Implementation	
	Name	St Format	St Format	Use / Remarks
3207	Country name code	C an..3	O an..2	Consignee Country code Provides the country part of an address using a code. Use ISO 3166 two alpha code.

Remark:

Example:

NAD+CN+SE123::92++SWE CONSIGNEE+KORSVÄGEN 102+GOTHENBURG++41268+SE '

UN/EDIFACT Message: Segment details

Group: **SG7** Status: D Max. Occ.: 1 Order currency

Segment: **CUX** Seq. No.: 10 Level: 1 **Currencies**
 Status: M Max. Occ.: 1
 Counter: 0300

Name: Currencies

Description of segment:

UN/EDIFACT			Implementation	
	Name	St Format	St Format	Use / Remarks
CUX				
C504	Currency details	C	R	
6347	Currency usage code qualifier	M an..3	M an..3	
6345	Currency identification code	C an..3	R an..3	2 = Reference currency Order currency ISO 4217 three alpha code
6343	Currency type code qualifier	C an..3	R an..3	
6348	Currency rate	C n..4	N	9 = Order currency not used
C504	Currency details	C	N	not used
6347	Currency usage code qualifier	M an..3	N	not used
6345	Currency identification code	C an..3	N	not used
6343	Currency type code qualifier	C an..3	N	not used
6348	Currency rate	C n..4	N	not used
5402	Currency exchange rate	C n..12	N	not used
6341	Exchange rate currency market identifier	C an..3	N	not used

Remark:

Example:

CUX+2:SEK:9'

UN/EDIFACT Message: Segment details

Group: **SG28** Status: R Max. Occ.: 200000 Line item section

Segment: **LIN** Seq. No.: 11 Level: 1 **Line item**
 Status: M Max. Occ.: 1
 Counter: 1040

Name: Line item

Description of segment:

UN/EDIFACT		Implementation		
	Name	St Format	St Format	Use / Remarks
LIN				
1082	Line item identifier	C an..6	R n..6	Line Item Number
1229	Action request/notification description code	C an..3	N	not used
C212	Item number identification	C	R	
7140	Item identifier	C an..35	R an..35	Buyer's Article Number
7143	Item type identification code	C an..3	R an..3	IN = Buyer's item number
1131	Code list identification code	C an..17	N	not used
3055	Code list responsible agency code	C an..3	N	not used
C829	Sub-line information	C	N	not used
5495	Sub-line indicator code	C an..3	N	not used
1082	Line item identifier	C an..6	N	not used
1222	Configuration level number	C n..2	N	not used
7083	Configuration operation code	C an..3	N	not used

Remark:

Example:

LIN+1+++1234567890:IN'



UN/EDIFACT Message: Segment details

Group: **SG28** Status: R Max. Occ.: 200000 Line item section

Segment: **IMD** Seq. No.: 13 Level: 2 **Item description**
 Status: R Max. Occ.: 1
 Counter: 1060

Name: Item description

Description of segment:

UN/EDIFACT			Implementation	
	Name	St Format	St Format	Use / Remarks
IMD				
7077	Description format code	C an..3	R an..3	F = Free-form
C272	Item characteristic	C	N	not used
7081	Item characteristic code	C an..3	N	not used
1131	Code list identification code	C an..17	N	not used
3055	Code list responsible agency code	C an..3	N	not used
C273	Item description	C	R	
7009	Item description code	C an..17	N	not used
1131	Code list identification code	C an..17	N	not used
3055	Code list responsible agency code	C an..3	N	not used
7008	Item description	C an..256	R an..256	
7008	Item description	C an..256	N	not used
3453	Language name code	C an..3	N	not used
7383	Surface or layer code	C an..3	N	not used

Remark:

Example:

IMD+F+++:::GADGETS'

UN/EDIFACT Message: Segment details

Group: **SG28** Status: R Max. Occ.: 200000 Line item section

Segment: **QTY** Seq. No.: 14 Level: 2 **Quantity**
 Status: R Max. Occ.: 1
 Counter: 1080

Name: Quantity

Description of segment:

UN/EDIFACT			Implementation	
	Name	St Format	St Format	Use / Remarks
QTY				
C186	Quantity details	M	M	
6063	Quantity type code qualifier	M an..3	M an..3	
6060	Quantity	M an..35	M an..35	21 = Ordered quantity
6411	Measurement unit code	C an..8	D an..8	If no unit code is given the default value is EA for pieces EA = each LTR = litre KGM = kilogram MTR = metre

Remark:

Example:

QTY+21:100:EA'

UN/EDIFACT Message: Segment details

Group: **SG32** Status: D Max. Occ.: 1 PRI

Segment: **PRI** Seq. No.: 15 Level: 2 **Price details**
 Status: R Max. Occ.: 1
 Counter: 1330

Name: Price details

Description of segment:

UN/EDIFACT			Implementation	
	Name	St Format	St Format	Use / Remarks
PRI				
C509	Price information	C	M	
5125	Price code qualifier	M an..3	M an..3	
5118	Price amount	C n..15	R n..15	AAA = Calculation net Price with 2 decimals
5375	Price type code	C an..3	N	not used
5387	Price specification code	C an..3	N	not used
5284	Unit price basis quantity	C n..9	R n..9	The quantity multipel of the given price Example: 1, 10, 100, 1000
6411	Measurement unit code	C an..8	N	not used
5213	Sub-line item price change operation code	C an..3	N	not used

Remark:
Will only be present in order when available

Example:
PRI+AAA:52.53:::1'



UN/EDIFACT Message: Segment details

Group: **SG33** Status: R Max. Occ.: 1 RFF

Segment: **RFF** Seq. No.: 16 Level: 2 **Reference**
Status: M Max. Occ.: 1
Counter: 1390

Name: Order line number

Description of segment:

UN/EDIFACT			Implementation	
	Name	St Format	St Format	Use / Remarks
RFF				
C506	Reference	M	M	
1153	Reference code qualifier	M an..3	M an..3	ON = Buyers order number
1154	Reference identifier	C an..70	N	not used
1156	Document line identifier	C an..6	R an..6	Order line number. Must be returned in Invoice
4000	Reference version identifier	C an..35	N	not used
1060	Revision identifier	C an..6	N	not used

Remark:

Example:

RFF+ON::101012'

UN/EDIFACT Message: Segment details

Segment: **UNS**
 Seq. No.: 17 Level: 0 **Section control**
 Status: M Max. Occ.: 1
 Counter: 2330

Name: **Section control**

Description of segment:

UN/EDIFACT		Implementation		
	Name	St Format	St Format	Use / Remarks
UNS 0081	Section identification	M a1	M a1	D = Header/detail section separation

Remark:

Example:

UNS+D'

UN/EDIFACT Message: Segment details

Segment:

UNT

Seq. No.: 18 Level: 0
Status: M Max. Occ.: 1
Counter: 2400

Message trailer

Name: Message trailer

Description of segment:

UN/EDIFACT		Implementation		
	Name	St Format	St Format	Use / Remarks
UNT				
0074	Number of segments in the message	M n..6	M n..6	Number of segments in the message
0062	Message reference number	M an..14	M an..14	

Remark:

Example:

UNT+18+10045'