

**< apper >**

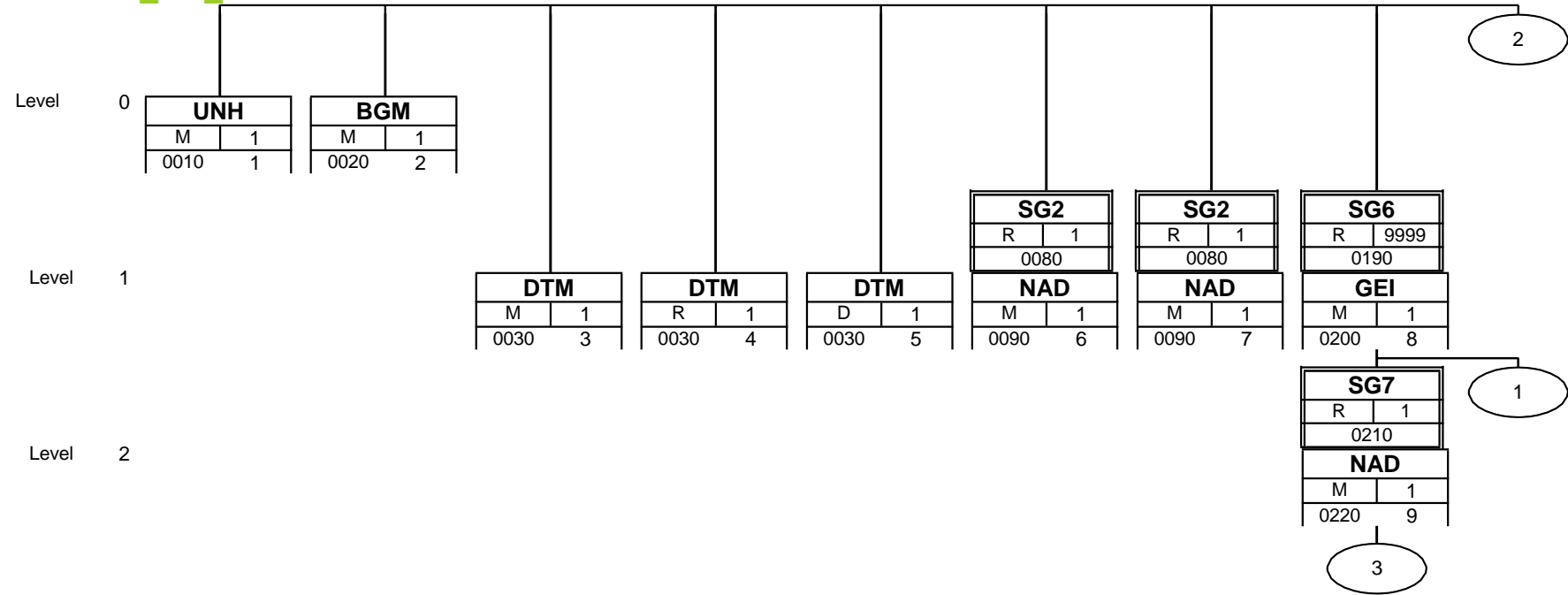
**< apper >**

**GLOBAL DELIVERY FORECAST MESSAGE**

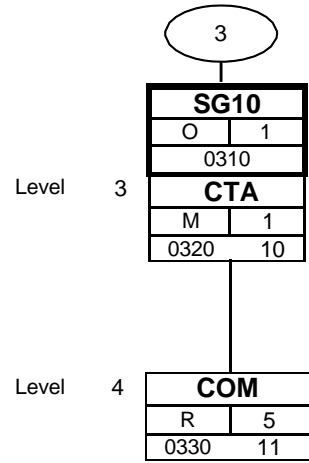
**(DELFOR)**

**Version 1.0  
Issue date 2016-04-20**

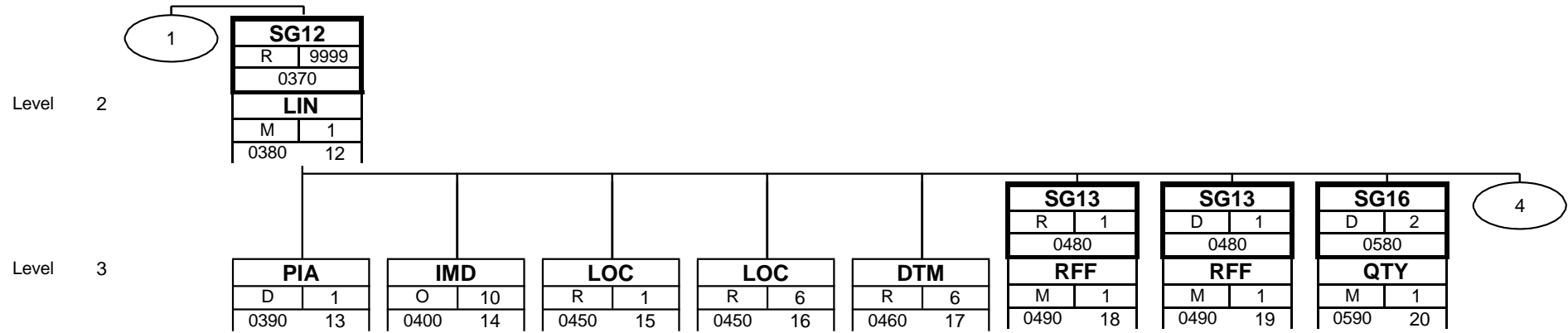
# < apper >



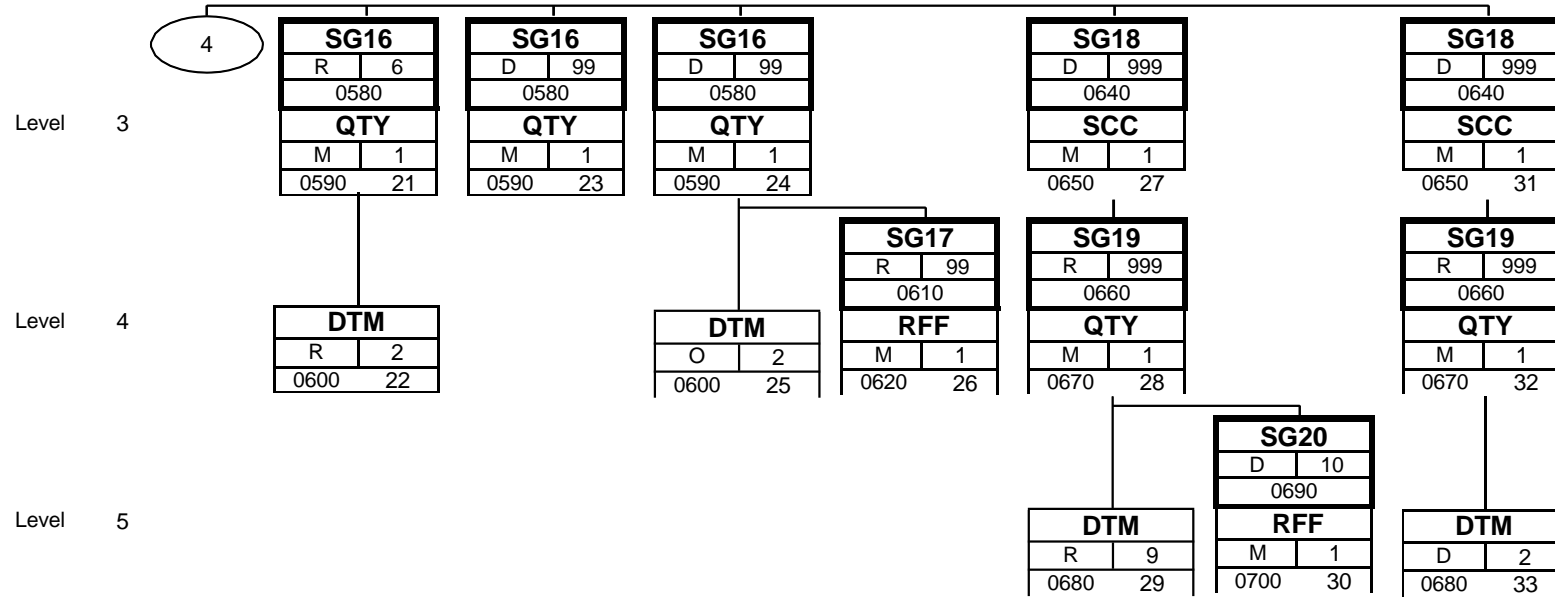
# < apper >



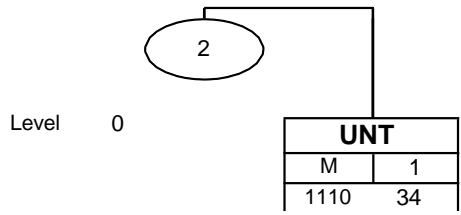
# < apper >



# < apper >



# <apper>



## UN/EDIFACT Message: Structure / Table of contents

Counter	No.	Tag	St	MaxOcc	Level	Content
0010	1	<b>UNH</b>	M	1	0	Message header
0020	2	<b>BGM</b>	M	1	0	Beginning of message
0030	3	<b>DTM</b>	M	1	1	Date/time/period
0030	4	<b>DTM</b>	R	1	1	Date/time/period
0030	5	<b>DTM</b>	D	1	1	Date/time/period
0080		<b>SG2</b>	R	1	1	Buyer
0090	6	<b>NAD</b>	M	1	1	Name and address
0080		<b>SG2</b>	R	1	1	Seller
0090	7	<b>NAD</b>	M	1	1	Name and address
0190		<b>SG6</b>	R	9999	1	Ship-to
0200	8	<b>GEI</b>	M	1	1	Processing information
0210		<b>SG7</b>	R	1	2	Ship-to
0220	9	<b>NAD</b>	M	1	2	Name and address
0310		<b>SG10</b>	O	1	3	Material Control Contact
0320	10	<b>CTA</b>	M	1	3	Contact information
0330	11	<b>COM</b>	R	5	4	Communication contact
0370		<b>SG12</b>	R	9999	2	Schedule Article Details
0380	12	<b>LIN</b>	M	1	2	Line item
0390	13	<b>PIA</b>	D	1	3	Additional product id
0400	14	<b>IMD</b>	O	10	3	Item description
0450	15	<b>LOC</b>	R	1	3	Place/location identification
0450	16	<b>LOC</b>	R	6	3	Place/location identification
0460	17	<b>DTM</b>	R	6	3	Date/time/period
0480		<b>SG13</b>	R	1	3	Order reference
0490	18	<b>RFF</b>	M	1	3	Reference
0480		<b>SG13</b>	D	1	3	Reference to previous Delivery Instruction
0490	19	<b>RFF</b>	M	1	3	Reference
0580		<b>SG16</b>	D	2	3	Delivery balance
0590	20	<b>QTY</b>	M	1	3	Quantity
0580		<b>SG16</b>	R	6	3	Cumulative quantities
0590	21	<b>QTY</b>	M	1	3	Quantity
0600	22	<b>DTM</b>	R	2	4	Date/time/period
0580		<b>SG16</b>	D	99	3	Received quantities
0590	23	<b>QTY</b>	M	1	3	Quantity
0580		<b>SG16</b>	D	99	3	Despatched quantities and dates
0590	24	<b>QTY</b>	M	1	3	Quantity
0600	25	<b>DTM</b>	D	2	4	Date/time/period
0610		<b>SG17</b>	R	99	4	Despatch / receiving document reference
0620	26	<b>RFF</b>	M	1	4	Reference
0640		<b>SG18</b>	D	999	3	Scheduling data
0650	27	<b>SCC</b>	M	1	3	Scheduling conditions
0660		<b>SG19</b>	R	999	4	Scheduling quantity
0670	28	<b>QTY</b>	M	1	4	Quantity
0680	29	<b>DTM</b>	R	9	5	Date/time/period
0690		<b>SG20</b>	D	10	5	Reference documents
0700	30	<b>RFF</b>	M	1	5	Reference
0640		<b>SG18</b>	D	999	3	Scheduling data
0650	31	<b>SCC</b>	M	1	3	Scheduling conditions
0660		<b>SG19</b>	R	999	4	Date(s) and quantities
0670	32	<b>QTY</b>	M	1	4	Quantity
0680	33	<b>DTM</b>	D	2	5	Date/time/period
1110	34	<b>UNT</b>	M	1	0	Message trailer

## UN/EDIFACT Message: Segment details

**Segment:** UNH
 Seq. No.: 1 Level: 0 **Message header**  
 Status: M Max. Occ.: 1  
 Counter: 0010

**Name:** Message header

**Description of segment:**

UN/EDIFACT			Implementation	
	Name	St Format	St Format	Use / Remarks
UNH				
0062	Message reference number	M an..14	M an..14	
S009	Message identifier	M	M	
0065	Message type	M an..6	M an..6	<b>DELFOR</b> = Delivery Forecast message
0052	Message version number	M an..3	M an..3	<b>D</b> = Draft version/UN/EDIFACT Directory
0054	Message release number	M an..3	M an..3	<b>04A</b> = Release 2004 - A
0051	Controlling agency	M an..2	M an..2	<b>UN</b> = UN/CEFACT
0057	Association assigned code	C an..6	R an..6	
0068	Common access reference	C an..35	N	not used
S010	Status of the transfer	C	N	not used
0070	Sequence of transfers	M n..2	N	not used
0073	First and last transfer	C a1	N	not used

**Remark:**

**Example:**

UNH+123456+DELFOR:D:04A:UN'



## UN/EDIFACT Message: Segment details

Segment:

**BGM**

Seq. No.: 2 Level: 0  
 Status: M Max. Occ.: 1  
 Counter: 0020

Beginning of message

Name: Beginning of message

Description of segment:

UN/EDIFACT			Implementation	
	Name	St Format	St Format	Use / Remarks
BGM				
C002	Document/message name	C	R	
1001	Document name code	C an..3	R an..3	<b>241 = Delivery schedule</b>
1131	Code list identification code	C an..17	N	not used
3055	Code list responsible agency code	C an..3	N	not used
1000	Document name	C an..35	N	not used
C106	Document/message identification	C	R	
1004	Document identifier	C an..35	R an..35	
1056	Version identifier	C an..9	N	not used
1060	Revision identifier	C an..6	N	not used
1225	Message function code	C an..3	N	not used
4343	Response type code	C an..3	N	not used

Remark:

Example:

BGM+241+201101170102'

## UN/EDIFACT Message: Segment details

**Segment:** **DTM**     
 Seq. No.:      3      Level:      1      **Date/time/period**  
 Status:      M      Max. Occ.:      1  
 Counter:      0030

**Name:**      **Document Issue Date**

**Description of segment:**

UN/EDIFACT			Implementation	
	Name	St Format	St Format	Use / Remarks
DTM				
C507	Date/time/period	M	M	
2005	Date or time or period function code qualifier	M an..3	M an..3	<b>137</b> = Document/message date/time
2380	Date or time or period text	C an..35	R n8	
2379	Date or time or period format code	C an..3	R an..3	<b>102</b> = CCYYMMDD

**Remark:**

**Example:**

DTM+137:20160513:102'

## UN/EDIFACT Message: Segment details

Segment:

**DTM**

Seq. No.: 4 Level: 1  
 Status: R Max. Occ.: 1  
 Counter: 0030

Date/time/period

Name: Validity Start Date

Description of segment:

UN/EDIFACT			Implementation	
	Name	St Format	St Format	Use / Remarks
DTM				
C507	Date/time/period	M	M	
2005	Date or time or period function code qualifier	M an..3	M an..3	<b>157</b> = Validity start date
2380	Date or time or period text	C an..35	R n8	
2379	Date or time or period format code	C an..3	R an..3	<b>102</b> = CCYYMMDD

Remark:

Example:

DTM+157:20160513:102'

## UN/EDIFACT Message: Segment details

**Segment:** **DTM**     
 Seq. No.:    5    Level:    1                      **Date/time/period**  
 Status:       D    Max. Occ.: 1  
 Counter:      0030

**Name:**            **Expiry Date**

**Description of segment:**

UN/EDIFACT			Implementation	
	Name	St Format	St Format	Use / Remarks
DTM				
C507	Date/time/period	M	M	
2005	Date or time or period function code qualifier	M an..3	M an..3	<b>36</b> = Expiry date
2380	Date or time or period text	C an..35	R n8	
2379	Date or time or period format code	C an..3	R an..3	<b>102</b> = CCYYMMDD

**Remark:**

**Example:**

DTM+36:20161010:102'

## UN/EDIFACT Message: Segment details

**Group:** **SG2** Status: R Max. Occ.: 1 Buyer

**Segment:** **NAD** Seq. No.: 6 Level: 1 **Name and address**  
 Status: M Max. Occ.: 1  
 Counter: 0090

**Name:** Buyer's Name and Address

### Description of segment:

UN/EDIFACT			Implementation	
	Name	St Format	St Format	Use / Remarks
NAD				
3035	Party function code qualifier	M an..3	M an..3	<b>BY</b> = Buyer
C082	Party identification details	C	R	
3039	Party identifier	M an..35	M an..35	
1131	Code list identification code	C an..17	N	not used
3055	Code list responsible agency code	C an..3	R an..3	<b>92</b> = Assigned by buyer or buyer's agent
C058	Name and address	C	N	
3124	Name and address description	M an..35	N	not used
3124	Name and address description	C an..35	N	not used
3124	Name and address description	C an..35	N	not used
3124	Name and address description	C an..35	N	not used
3124	Name and address description	C an..35	N	not used
C080	Party name	C	N	not used
3036	Party name	M an..35	N	not used
3036	Party name	C an..35	N	not used
3036	Party name	C an..35	N	not used
3036	Party name	C an..35	N	not used
3036	Party name	C an..35	N	not used
3045	Party name format code	C an..3	N	not used
C059	Street	C	N	not used
3042	Street and number or post office box identifier	M an..35	N	not used
3042	Street and number or post office box identifier	C an..35	N	not used
3042	Street and number or post office box identifier	C an..35	N	not used
3042	Street and number or post office box identifier	C an..35	N	not used
3164	City name	C an..35	N	not used
C819	Country sub-entity details	C	N	not used
3229	Country sub-entity name code	C an..9	N	not used
1131	Code list identification code	C an..17	N	not used
3055	Code list responsible agency code	C an..3	N	not used
3228	Country sub-entity name	C an..70	N	not used
3251	Postal identification code	C an..17	N	not used

## UN/EDIFACT Message: Segment details

UN/EDIFACT			Implementation	
	Name	St Format	St Format	Use / Remarks
3207	Country name code	C an..3	N	not used

**Remark:**

**Example:**

NAD+BY+S001:::92'

**UN/EDIFACT Message: Segment details**

**Group:** **SG2** Status: R Max. Occ.: 1 Seller

**Segment:** **NAD** Seq. No.: 7 Level: 1 **Name and address**  
 Status: M Max. Occ.: 1  
 Counter: 0090

**Name:** **Seller's Name and Address**

**Description of segment:**

UN/EDIFACT			Implementation	
	Name	St Format	St Format	Use / Remarks
NAD				
3035	Party function code qualifier	M an..3	M an..3	<b>SE</b> = Seller
C082	Party identification details	C	R	
3039	Party identifier	M an..35	M an..35	not used
1131	Code list identification code	C an..17	N	not used
3055	Code list responsible agency code	C an..3	R an..3	<b>92</b> = Assigned by buyer or buyer's agent
C058	Name and address	C	N	not used
3124	Name and address description	M an..35	N	not used
3124	Name and address description	C an..35	N	not used
3124	Name and address description	C an..35	N	not used
3124	Name and address description	C an..35	N	not used
3124	Name and address description	C an..35	N	not used
C080	Party name	C	N	not used
3036	Party name	M an..35	N	not used
3036	Party name	C an..35	N	not used
3036	Party name	C an..35	N	not used
3036	Party name	C an..35	N	not used
3036	Party name	C an..35	N	not used
3036	Party name	C an..35	N	not used
3045	Party name format code	C an..3	N	not used
C059	Street	C	N	not used
3042	Street and number or post office box identifier	M an..35	N	not used
3042	Street and number or post office box identifier	C an..35	N	not used
3042	Street and number or post office box identifier	C an..35	N	not used
3042	Street and number or post office box identifier	C an..35	N	not used
3164	City name	C an..35	N	not used
C819	Country sub-entity details	C	N	not used
3229	Country sub-entity name code	C an..9	N	not used
1131	Code list identification code	C an..17	N	not used
3055	Code list responsible agency code	C an..3	N	not used
3228	Country sub-entity name	C an..70	N	not used

## UN/EDIFACT Message: Segment details

UN/EDIFACT			Implementation	
	Name	St Format	St Format	Use / Remarks
3251	Postal identification code	C an..17	N	not used
3207	Country name code	C an..3	N	not used

**Remark:**

**Example:**

NAD+SE+0000000198:::92'



## UN/EDIFACT Message: Segment details

**Group:** **SG6** Status: R Max. Occ.: 9999 Ship-to level (instruction line)

**Segment:** **GEI** Seq. No.: 8 Level: 1 **Processing information**  
 Status: M Max. Occ.: 1  
 Counter: 0200

**Name:** Processing information

**Description of segment:**

UN/EDIFACT			Implementation	
	Name	St Format	St Format	Use / Remarks
GEI				
9649	Processing information code qualifier	M an..3	M an..3	<b>3 = Scheduling type information</b>
C012	Processing indicator	C	N	not used
7365	Processing indicator description code	C an..3	N	not used
1131	Code list identification code	C an..17	N	not used
3055	Code list responsible agency code	C an..3	N	not used
7364	Processing indicator description	C an..35	N	not used
7187	Process type description code	C an..17	N	not used

**Remark:**

**Example:**

GEI+3'

## UN/EDIFACT Message: Segment details

**Group:** **SG7** Status: R Max. Occ.: 1 Ship-to

**Segment:** **NAD** Seq. No.: 9 Level: 2 **Name and address**  
 Status: M Max. Occ.: 1  
 Counter: 0220

**Name:** Ship-to

### Description of segment:

UN/EDIFACT		Implementation		
	Name	St Format	St Format	Use / Remarks
NAD				
3035	Party function code qualifier	M an..3	M an..3	<b>ST</b> = Ship to
C082	Party identification details	C	R	
3039	Party identifier	M an..35	M an..35	
1131	Code list identification code	C an..17	N	not used
3055	Code list responsible agency code	C an..3	R an..3	<b>92</b> = Assigned by buyer or buyer's agent
C058	Name and address	C	N	
3124	Name and address description	M an..35	N	not used
3124	Name and address description	C an..35	N	not used
3124	Name and address description	C an..35	N	not used
3124	Name and address description	C an..35	N	not used
3124	Name and address description	C an..35	N	not used
C080	Party name	C	D	
3036	Party name	M an..35	M an..35	
3036	Party name	C an..35	N	not used
3036	Party name	C an..35	N	not used
3036	Party name	C an..35	N	not used
3036	Party name	C an..35	N	not used
3045	Party name format code	C an..3	N	not used
C059	Street	C	O	
3042	Street and number or post office box identifier	M an..35	M an..35	
3042	Street and number or post office box identifier	C an..35	N	not used
3042	Street and number or post office box identifier	C an..35	N	not used
3042	Street and number or post office box identifier	C an..35	N	not used
3164	City name	C an..35	O an..35	
C819	Country sub-entity details	C	O	
3229	Country sub-entity name code	C an..9	N	not used
1131	Code list identification code	C an..17	N	not used
3055	Code list responsible agency code	C an..3	N	not used

## UN/EDIFACT Message: Segment details

UN/EDIFACT			Implementation	
	Name	St Format	St Format	Use / Remarks
3228	Country sub-entity name	C an..70	O an..35	
3251	Postal identification code	C an..17	N	not used
3207	Country name code	C an..3	N	not used

**Remark:**

**Example:**

NAD+ST+N001::92++National Electric Vehicle Sweden AB+Saabvägen 5+:::SE'

## UN/EDIFACT Message: Segment details

**Group:** **SG10** Status: O Max. Occ.: 1 Material Control Contact

**Segment:** **CTA** Seq. No.: 10 Level: 3 **Contact information**  
 Status: M Max. Occ.: 1  
 Counter: 0320

**Name:** Material Control Contact

**Description of segment:**

UN/EDIFACT			Implementation	
	Name	St Format	St Format	Use / Remarks
CTA				
3139	Contact function code	C an..3	R an..3	<b>MC = Schedule contact</b>
C056	Department or employee details	C	R	
3413	Department or employee name code	C an..17	N	not used
3412	Department or employee name	C an..35	R an..35	

**Remark:**

**Example:**

CTA+MC+:ANDERS ANDERSSON'

## UN/EDIFACT Message: Segment details

**Group:** **SG10** Status: O Max. Occ.: 1 Material Control Contact

**Segment:** **COM** Seq. No.: 11 Level: 4 **Communication contact**  
 Status: R Max. Occ.: 5  
 Counter: 0330

**Name:** Communication contact

### Description of segment:

UN/EDIFACT			Implementation	
	Name	St Format	St Format	Use / Remarks
COM				
C076	Communication contact	M	M	
3148	Communication address identifier	M an..512	M an..100	
3155	Communication address code qualifier	M an..3	M an..3	<b>TE = Telephone</b>

**Remark:**

**Example:**

COM+0123456789012:TE'

## UN/EDIFACT Message: Segment details

**Group:** **SG12** Status: R Max. Occ.: 9999 Scheduled Article Details

**Segment:** **LIN** Seq. No.: 12 Level: 2 **Line item**  
 Status: M Max. Occ.: 1  
 Counter: 0380

**Name:** Line item

### Description of segment:

UN/EDIFACT			Implementation	
	Name	St Format	St Format	Use / Remarks
LIN				
1082	Line item identifier	C an..6	N	not used
1229	Action request/notification description code	C an..3	R an..3	<b>3 Changed</b>
C212	Item number identification	C	R	
7140	Item identifier	C an..35	R an..35	Customer item number
7143	Item type identification code	C an..3	R an..3	<b>IN = Buyer's item number</b>
1131	Code list identification code	C an..17	N	not used
3055	Code list responsible agency code	C an..3	N	not used
C829	Sub-line information	C	N	not used
5495	Sub-line indicator code	C an..3	N	not used
1082	Line item identifier	C an..6	N	not used
1222	Configuration level number	C n..2	N	not used
7083	Configuration operation code	C an..3	N	not used

### Remark:

### Example:

LIN++9+12765989:IN'

**UN/EDIFACT Message: Segment details**

**Group:** **SG12** Status: R Max. Occ.: 9999 Scheduled Article Details

**Segment:** **PIA** Seq. No.: 13 Level: 3 **Additional product id**  
 Status: D Max. Occ.: 1  
 Counter: 0390

**Name:** Additional product id

**Description of segment:**

UN/EDIFACT		Implementation		
	Name	St Format	St Format	Use / Remarks
PIA				
4347	Product identifier code qualifier	M an..3	M an..3	1 = <b>Additional identification</b>
C212	Item number identification	M	M	Vendor item number.
7140	Item identifier	C an..35	R an..35	<b>OR</b> The number of a technical drawing allocated to an item.
7143	Item type identification code	C an..3	R an..3	<b>VN</b> = <b>Vendor item number</b> <b>OR</b> <b>DR</b> = <b>Drawing revision number</b>
1131	Code list identification code	C an..17	N	not used
3055	Code list responsible agency code	C an..3	N	not used
C212	Item number identification	C	C	not used
7140	Item identifier	C an..35	R an..35	Vendor item number. <b>OR</b> The number of a technical drawing allocated to an item.
7143	Item type identification code	C an..3	R an..3	<b>VN</b> = <b>Vendor item number</b> <b>OR</b> <b>DR</b> = <b>Drawing revision number</b>
1131	Code list identification code	C an..17	N	not used
3055	Code list responsible agency code	C an..3	N	not used
C212	Item number identification	C	N	not used
7140	Item identifier	C an..35	N	not used
7143	Item type identification code	C an..3	N	not used
1131	Code list identification code	C an..17	N	not used
3055	Code list responsible agency code	C an..3	N	not used
C212	Item number identification	C	N	not used
7140	Item identifier	C an..35	N	not used
7143	Item type identification code	C an..3	N	not used
1131	Code list identification code	C an..17	N	not used
3055	Code list responsible agency code	C an..3	N	not used
C212	Item number identification	C	N	not used
7140	Item identifier	C an..35	N	not used
7143	Item type identification code	C an..3	N	not used
1131	Code list identification code	C an..17	N	not used

## UN/EDIFACT Message: Segment details

UN/EDIFACT			Implementation	
	Name	St Format	St Format	Use / Remarks
3055	Code list responsible agency code	C an..3	N	not used

**Remark:**

**Example:**

PIA+1+P04:DR'  
PIA+1+ABCD1234:VN'  
PIA+1+ABCD1234:VN+P04:DR'



## UN/EDIFACT Message: Segment details

**Group:** **SG12** Status: R Max. Occ.: 9999 Scheduled Article Details

**Segment:** **IMD** Seq. No.: 14 Level: 3 **Item description**  
 Status: O Max. Occ.: 10  
 Counter: 0400

**Name:** Item description

### Description of segment:

UN/EDIFACT			Implementation	
	Name	St Format	St Format	Use / Remarks
IMD				
7077	Description format code	C an..3	N	not used
C272	Item characteristic	C	N	not used
7081	Item characteristic code	C an..3	N	not used
1131	Code list identification code	C an..17	N	not used
3055	Code list responsible agency code	C an..3	N	not used
C273	Item description	C	R	
7009	Item description code	C an..17	N	not used
1131	Code list identification code	C an..17	N	not used
3055	Code list responsible agency code	C an..3	N	not used
7008	Item description	C an..256	R an..35	Customer article description
7008	Item description	C an..256	N	not used
3453	Language name code	C an..3	N	not used
7383	Surface or layer code	C an..3	N	not used

### Remark:

### Example:

IMD+++:::ITEM DESC'

## UN/EDIFACT Message: Segment details

**Group:** **SG12** Status: R Max. Occ.: 9999 Scheduled Article Details

**Segment:** **LOC** Seq. No.: 15 Level: 3 **Place/location identification**  
 Status: R Max. Occ.: 1  
 Counter: 0450

**Name:** Place of discharge

**Description of segment:**

UN/EDIFACT			Implementation	
	Name	St Format	St Format	Use / Remarks
LOC				
3227	Location function code qualifier	M an..3	M an..3	<b>11</b> = Place/port of discharge
C517	Location identification	C	R	
3225	Location name code	C an..35	R an..35	
1131	Code list identification code	C an..17	N	not used
3055	Code list responsible agency code	C an..3	R an..3	<b>92</b> = Assigned by buyer or buyer's agent
3224	Location name	C an..256	N	not used
C519	Related location one identification	C	N	not used
3223	First related location name code	C an..25	N	not used
1131	Code list identification code	C an..17	N	not used
3055	Code list responsible agency code	C an..3	N	not used
3222	First related location name	C an..70	N	not used
C553	Related location two identification	C	N	not used
3233	Second related location name code	C an..25	N	not used
1131	Code list identification code	C an..17	N	not used
3055	Code list responsible agency code	C an..3	N	not used
3232	Second related location name	C an..70	N	not used
5479	Relation code	C an..3	N	

**Remark:**

**Example:**

LOC+11+123::92'

## UN/EDIFACT Message: Segment details

**Group:** **SG12** Status: R Max. Occ.: 9999 Scheduled Article Details

**Segment:** **LOC** Seq. No.: 16 Level: 3 **Place/location identification**  
 Status: R Max. Occ.: 6  
 Counter: 0450

**Name:** Internal place of destination

**Description of segment:**

UN/EDIFACT			Implementation	
	Name	St Format	St Format	Use / Remarks
LOC				
3227	Location function code qualifier	M an..3	M an..3	<b>159</b> = Additional internal destination
C517	Location identification	C	R	
3225	Location name code	C an..35	R an..35	
1131	Code list identification code	C an..17	N	
3055	Code list responsible agency code	C an..3	R an..3	<b>92</b> = Assigned by buyer or buyer's agent
3224	Location name	C an..256	N	not used
C519	Related location one identification	C	N	not used
3223	First related location name code	C an..25	N	not used
1131	Code list identification code	C an..17	N	not used
3055	Code list responsible agency code	C an..3	N	not used
3222	First related location name	C an..70	N	not used
C553	Related location two identification	C	N	not used
3233	Second related location name code	C an..25	N	not used
1131	Code list identification code	C an..17	N	not used
3055	Code list responsible agency code	C an..3	N	not used
3232	Second related location name	C an..70	N	not used
5479	Relation code	C an..3	N	not used

**Remark:**

**Example:**

LOC+159+A-11::92'

## UN/EDIFACT Message: Segment details

**Group:** **SG12** Status: R Max. Occ.: 9999 Scheduled Article Details

**Segment:** **DTM** Seq. No.: 17 Level: 3 **Date/time/period**  
 Status: R Max. Occ.: 6  
 Counter: 0460

**Name:** Date/time/period

### Description of segment:

UN/EDIFACT			Implementation	
	Name	St Format	St Format	Use / Remarks
DTM				
C507	Date/time/period	M	M	
2005	Date or time or period function code qualifier	M an..3	M an..3	<b>257</b> = Calculation date/time/period
2380	Date or time or period text	C an..35	R n8	
2379	Date or time or period format code	C an..3	R an..3	<b>102</b> = CCYYMMDD

**Remark:**

**Example:**

DTM+257:20160513:102'

## UN/EDIFACT Message: Segment details

**Group:** **SG13** Status: R Max. Occ.: 1 Order reference

**Segment:** **RFF** Seq. No.: 18 Level: 3 **Reference**  
 Status: M Max. Occ.: 1  
 Counter: 0490

**Name:** Order reference

### Description of segment:

UN/EDIFACT			Implementation	
	Name	St Format	St Format	Use / Remarks
RFF				
C506	Reference	M	M	
1153	Reference code qualifier	M an..3	M an..3	<b>ON = Buyers order number</b>
1154	Reference identifier	C an..70	R an..17	
1156	Document line identifier	C an..6	D an..6	
4000	Reference version identifier	C an..35	N	not used
1060	Revision identifier	C an..6	N	not used

### Remark:

### Example:

RFF+ON:5500000003'

## UN/EDIFACT Message: Segment details

**Group:** **SG13** Status: D Max. Occ.: 1 Reference to Previous Delivery Instruction

**Segment:** **RFF** Seq. No.: 19 Level: 3 **Reference**  
 Status: M Max. Occ.: 1  
 Counter: 0490

**Name:** Previous Delivery Instruction

### Description of segment:

UN/EDIFACT			Implementation	
	Name	St Format	St Format	Use / Remarks
RFF				
C506	Reference	M	M	
1153	Reference code qualifier	M an..3	M an..3	
1154	Reference identifier	C an..70	R an..17	not used
1156	Document line identifier	C an..6	N	not used
4000	Reference version identifier	C an..35	N	not used
1060	Revision identifier	C an..6	N	not used

### Example:

RFF+AIF:0072000'

## UN/EDIFACT Message: Segment details

**Group:** **SG16** Status: D Max. Occ.: 2 Delivery balance

**Segment:** **QTY** Seq. No.: 20 Level: 3 **Quantity**  
 Status: M Max. Occ.: 1  
 Counter: 0590

**Name:** Delivery balance quantity

### Description of segment:

UN/EDIFACT			Implementation	
	Name	St Format	St Format	Use / Remarks
QTY				
C186	Quantity details	M	M	
6063	Quantity type code qualifier	M an..3	M an..3	<b>83 = Backorder quantity</b>
6060	Quantity	M an..35	M n..15	
6411	Measurement unit code	C an..8	D an..8	

**Remark:**

**Example:**

QTY+83:48'

## UN/EDIFACT Message: Segment details

**Group:** **SG16** Status: R Max. Occ.: 6 Cumulative quantities

**Segment:** **QTY** Seq. No.: 21 Level: 3 **Quantity**  
 Status: M Max. Occ.: 1  
 Counter: 0590

**Name:** Cumulative quantities

### Description of segment:

UN/EDIFACT			Implementation	
	Name	St Format	St Format	Use / Remarks
QTY				
C186	Quantity details	M	M	
6063	Quantity type code qualifier	M an..3	M an..3	<b>70 = Cumulative quantity received</b>
6060	Quantity	M an..35	M n..15	
6411	Measurement unit code	C an..8	D an..8	

**Remark:**

**Example:**

QTY+70:2300'



## UN/EDIFACT Message: Segment details

**Group:** **SG16** Status: R Max. Occ.: 6 Cumulative quantities

**Segment:** **DTM** Seq. No.: 22 Level: 4 **Date/time/period**  
 Status: R Max. Occ.: 2  
 Counter: 0600

**Name:** Cumulative quantity date(s)

### Description of segment:

UN/EDIFACT			Implementation	
	Name	St Format	St Format	Use / Remarks
DTM				
C507	Date/time/period	M	M	
2005	Date or time or period function code qualifier	M an..3	M an..3	<b>51</b> = Cumulative quantity start date
2380	Date or time or period text	C an..35	R n8	
2379	Date or time or period format code	C an..3	R an..3	<b>102</b> = CCYYMMDD

**Remark:**

**Example:**

DTM+51:20160510:102'

## UN/EDIFACT Message: Segment details

**Group:** **SG16** Status: D Max. Occ.: 99 Received quantities

**Segment:** **QTY** Seq. No.: 23 Level: 3 **Quantity**  
 Status: M Max. Occ.: 1  
 Counter: 0590

**Name:** Received quantities

### Description of segment:

UN/EDIFACT			Implementation	
	Name	St Format	St Format	Use / Remarks
QTY				
C186	Quantity details	M	M	
6063	Quantity type code qualifier	M an..3	M an..3	<b>48 = Received quantity</b>
6060	Quantity	M an..35	M n..15	
6411	Measurement unit code	C an..8	D an..8	

**Remark:**

**Example:**

QTY+48:48'

## UN/EDIFACT Message: Segment details

**Group:** **SG16** Status: D Max. Occ.: 99 Despatched quantities and dates.

**Segment:** **QTY** Seq. No.: 24 Level: 3 **Quantity**  
 Status: M Max. Occ.: 1  
 Counter: 0590

**Name:** Despatched quantities

### Description of segment:

UN/EDIFACT			Implementation	
	Name	St Format	St Format	Use / Remarks
QTY				
C186	Quantity details	M	M	
6063	Quantity type code qualifier	M an..3	M an..3	<b>12 = Despatch quantity</b>
6060	Quantity	M an..35	M n..15	
6411	Measurement unit code	C an..8	D an..8	

**Remark:**

**Example:**

QTY+12:48'

## UN/EDIFACT Message: Segment details

**Group:** **SG16** Status: D Max. Occ.: 99 Despatched quantities and dates.

**Segment:** **DTM** Seq. No.: 25 Level: 4 **Date/time/period**  
 Status: D Max. Occ.: 2  
 Counter: 0600

**Name:** Despatch date

**Description of segment:**

UN/EDIFACT			Implementation	
	Name	St Format	St Format	Use / Remarks
DTM				
C507	Date/time/period	M	M	
2005	Date or time or period function code qualifier	M an..3	M an..3	<b>11</b> = Despatch date and or time
2380	Date or time or period text	C an..35	R n8	
2379	Date or time or period format code	C an..3	R an..3	<b>102</b> = CCYYMMDD

**Remark:**

**Example:**

DTM+11:20160510:102'

## UN/EDIFACT Message: Segment details

**Group:** **SG17** Status: R Max. Occ.: 99 Despatch / receiving document reference

**Segment:** **RFF** Seq. No.: 26 Level: 4 **Reference**  
 Status: M Max. Occ.: 1  
 Counter: 0620

**Name:** Reference

### Description of segment:

UN/EDIFACT			Implementation	
	Name	St Format	St Format	Use / Remarks
RFF				
C506	Reference	M	M	
1153	Reference code qualifier	M an..3	M an..3	<b>AAK</b> = Despatch advice number
1154	Reference identifier	C an..70	R an..17	
1156	Document line identifier	C an..6	N	not used
4000	Reference version identifier	C an..35	N	not used
1060	Revision identifier	C an..6	N	not used

### Remark:

### Example:

RFF+AAK:12485'

## UN/EDIFACT Message: Segment details

**Group:** **SG18** Status: D Max. Occ.: 999 Scheduling data

**Segment:** **SCC** Seq. No.: 27 Level: 3 **Scheduling conditions**  
 Status: M Max. Occ.: 1  
 Counter: 0650

**Name:** Scheduling conditions

**Description of segment:**

UN/EDIFACT			Implementation	
	Name	St Format	St Format	Use / Remarks
SCC				
4017	Delivery plan commitment level code	M an..3	M an..3	Code indicating the level of commitment of a delivery instruction. <b>1</b> = Firm <b>4</b> = Planning/forecast <b>24</b> = Reference to commercial agreement between partners
4493	Delivery instruction code	C an..3	N	not used
C329	Pattern description	C	N	not used
2013	Frequency code	C an..3	N	not used
2015	Despatch pattern code	C an..3	N	not used
2017	Despatch pattern timing code	C an..3	N	not used

**Remark:**

**Example:**

SCC+1'

## UN/EDIFACT Message: Segment details

**Group:** **SG19** Status: R Max. Occ.: 999 Scheduled quantity

**Segment:** **QTY** Seq. No.: 28 Level: 4 **Quantity**  
 Status: M Max. Occ.: 1  
 Counter: 0670

**Name:** Quantity

**Description of segment:**

UN/EDIFACT			Implementation	
	Name	St Format	St Format	Use / Remarks
QTY				
C186	Quantity details	M	M	
6063	Quantity type code qualifier	M an..3	M an..3	113 = Quantity to be delivered (default delivery qty)
6060	Quantity	M an..35	M n..15	
6411	Measurement unit code			
		C an..8	D an..8	

**Remark:**

**Example:**

QTY+113:184.00'

## UN/EDIFACT Message: Segment details

**Group:** **SG19** Status: R Max. Occ.: 999 Scheduled quantity

**Segment:** **DTM** Seq. No.: 29 Level: 5 **Date/time/period**  
 Status: R Max. Occ.: 9  
 Counter: 0680

**Name:** Scheduled dates

**Description of segment:**

UN/EDIFACT			Implementation	
	Name	St Format	St Format	Use / Remarks
DTM				
C507	Date/time/period	M	M	
2005	Date or time or period function code qualifier	M an..3	R an..3	<b>10</b> = Shipment date/time, requested
2380	Date or time or period text	C an..35	R n..12	
2379	Date or time or period format code	C an..3	D an..3	<b>102</b> = CCYYMMDD <b>203</b> = CCYYMMDDHHMM

**Remark:**

**Example:**

DTM+10:20160822:102'



## UN/EDIFACT Message: Segment details

**Group:** **SG20** Status: D Max. Occ.: 10 Reference documents

**Segment:** **RFF** Seq. No.: 30 Level: 5 **Reference**  
 Status: M Max. Occ.: 1  
 Counter: 0700

**Name:** Reference

### Description of segment:

UN/EDIFACT			Implementation	
	Name	St Format	St Format	Use / Remarks
RFF				
C506	Reference	M	M	
1153	Reference code qualifier	M an..3	M an..3	<b>AAP = Part consignment number</b>
1154	Reference identifier	C an..70	R an..17	
1156	Document line identifier	C an..6	N	not used
4000	Reference version identifier	C an..35	N	not used
1060	Revision identifier	C an..6	N	not used

**Remark:**

**Example:**

RFF+AAP:12001'

## UN/EDIFACT Message: Segment details

**Group:** **SG19** Status: R Max. Occ.: 999 Date(s) and quantities

**Segment:** **DTM** Seq. No.: 33 Level: 5 **Date/time/period**  
 Status: D Max. Occ.: 2  
 Counter: 0680

**Name:** Authorisation period

**Description of segment:**

UN/EDIFACT			Implementation	
	Name	St Format	St Format	Use / Remarks
DTM				
C507	Date/time/period	M	M	
2005	Date or time or period function code qualifier	M an..3	M an..3	<b>194</b> = Start date/time <b>206</b> = End date/time
2380	Date or time or period text	C an..35	R n8	
2379	Date or time or period format code	C an..3	R an..3	<b>102</b> = CCYYMMDD

**Remark:**

**Example:**

DTM+194:20160706:102'

## UN/EDIFACT Message: Segment details

**Segment:**

**UNT**

Seq. No.: 34 Level: 0  
 Status: M Max. Occ.: 1  
 Counter: 1110

**Message trailer**

**Name:** Message trailer

**Description of segment:**

UN/EDIFACT			Implementation	
	Name	St Format	St Format	Use / Remarks
UNT				
0074	Number of segments in the message	M n..6	M n..6	
0062	Message reference number	M an..14	M an..14	

**Remark:**

**Example:**

UNT+60+23730'

